

SIT TO STAND

STS600E/STS600E-D | SIT-TO-STAND

The STS600E Series have extra wide adjustable kneepads that will help meet the needs of a wider range of patient needs. To support the extra weight, the STS600E has a heavy duty boom to help lift and support the patient for smoother and safer transfers. The emergency quick release make the STS600E Series the safest lift in any situation.

- Up to **600lb** weight capacity
- Performance class actuator with quick release for faster transfers
- Available with new State of the Art Performance Electronics
- Wide adjustable kneepad



Customer Service / Sales
tel: 1-800-637-8436

P.O Box 3417
Abilene, TX 79604
convaquip.com

STS600E



*Model STS600E shown

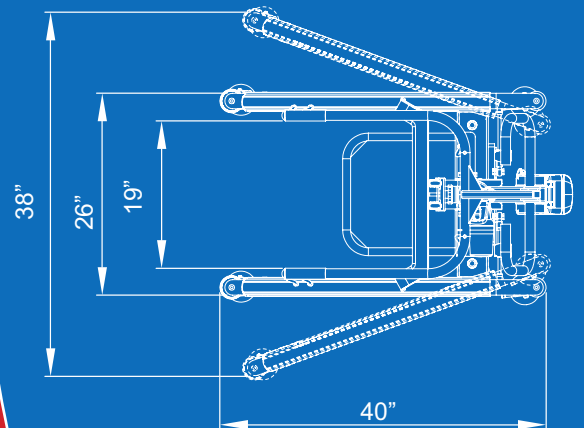
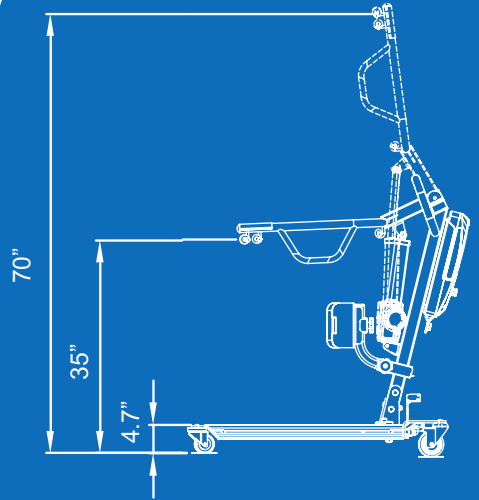
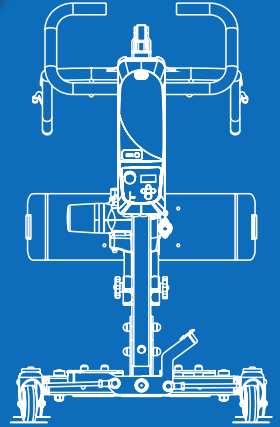
STS600E-D



NEW!
CONTINUOUS PERFORMANCE

*charger shown
2417 ELECTRONICS

DIMENSIONS



SPECIFICATIONS FOR STS600E	
maximum capacity	600Lb / 280Kg
base legs length	40"
external width	26"
expandable internal width	38"
base height	4.7"
min. lifting height	35"
max. lifting height	70"
internal width	19"

* SPECIFICATIONS PROVIDED ARE A GENERAL GUIDELINE AND ARE SUBJECT TO CHANGE WITHOUT NOTICE