

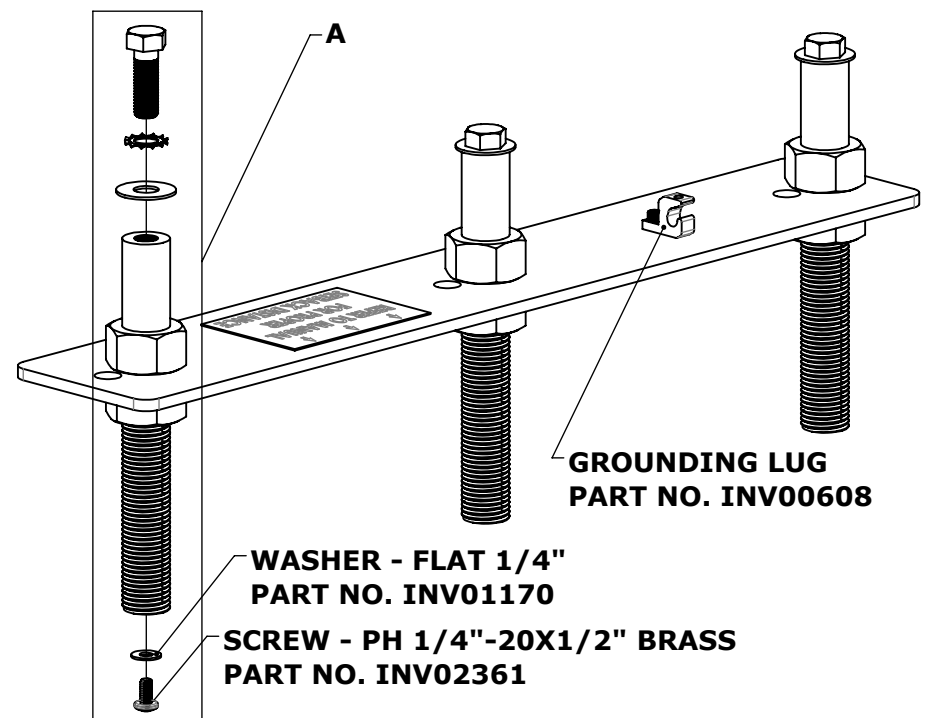
**BOLT - HEX 1/2"-13X1 1/2"**  
PART NO. INV00388

**WASHER - ET 1/2"**  
PART NO. INV01188

**WASHER - FLAT 1/2"**  
PART NO. INV01169

**ANCHOR - 1" DIA X 8" LNG. BONDABLE**  
PART NO. INV01581

**NUT - HEX 1"-8 ZINC**  
PART NO. INV00723



**GROUNDING LUG**  
PART NO. INV00608

**WASHER - FLAT 1/4"**  
PART NO. INV01170

**SCREW - PH 1/4"-20X1/2" BRASS**  
PART NO. INV02361

**PURPOSE:**

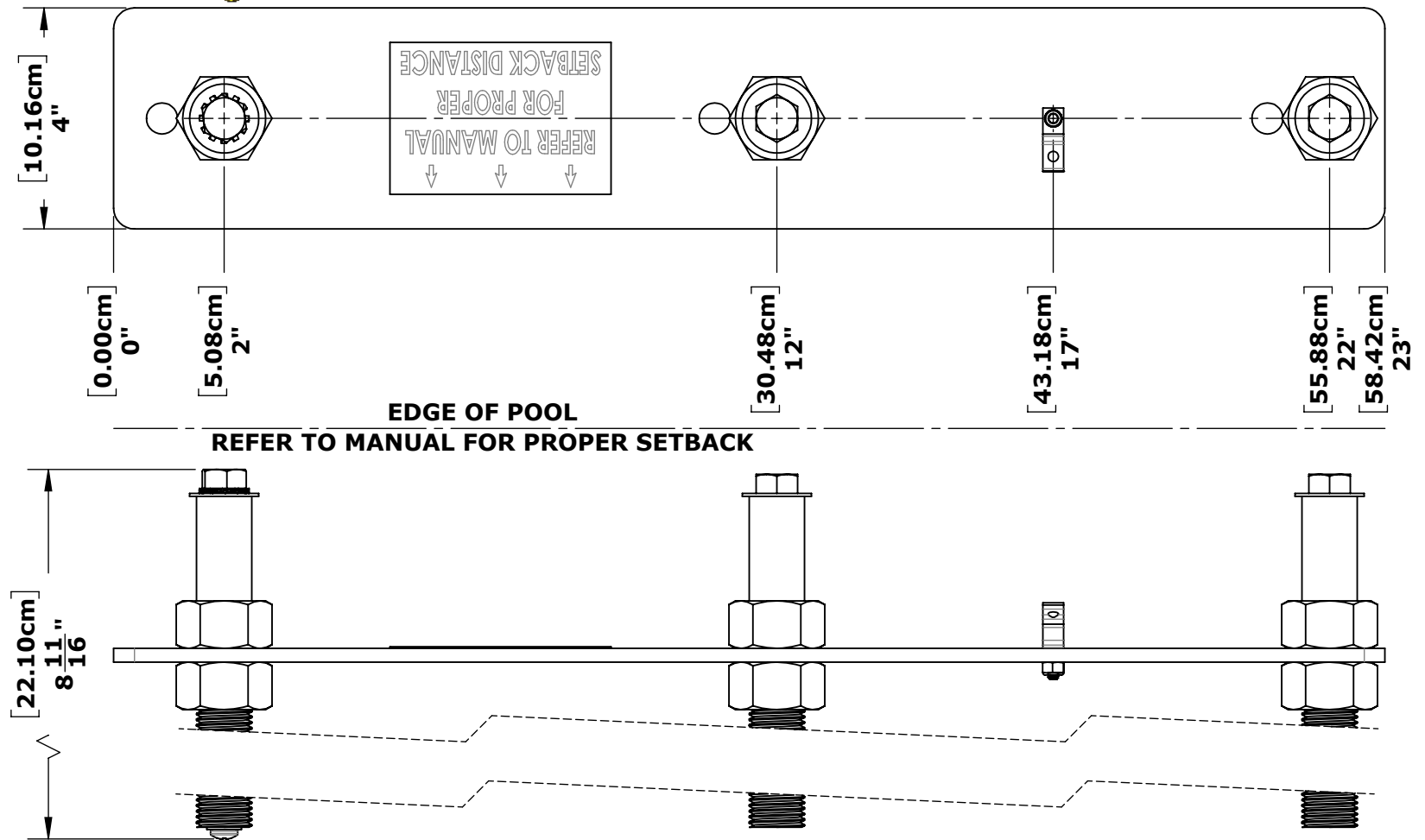
FOR NEW OR RETROFIT INSTALLATION OF THE ADA COMPLIANT POOL AND SPA LIFT ON IN-GROUND OR PARTIALLY RAISED POOLS AND SPAS. FOLLOW PRODUCT INSTALLATION INSTRUCTIONS.

**TESTING & SAFETY:**

INDEPENDENTLY VERIFIED TO MEET 2009 INTERNATIONAL BUILDING CODE, THE 2010 CALIFORNIA BUILDING CODE, AND ASCE7-05 WITH A SAFETY FACTOR OF 1.2 FOR THE DEAD LOAD AND 1.6 FOR THE LIVE LOAD WHEN INSTALLED ACCORDING TO INSTRUCTIONS. STRUCTURAL CALCULATIONS AVAILABLE UPON REQUEST.

**INSTALLATION:**

FOR INSTALLATION INTO REBAR REINFORCED, CONCRETE POOL DECKS NO SMALLER THAN 3'-6" SQUARE BY 6" DEEP. REFER TO LIFT INSTALLATION INSTRUCTIONS FOR SPECIFICS. MUST BE BONDED ACCORDING TO THE NEC ARTICLE 680. OTHER CODES MAY APPLY; CHECK YOUR LOCAL CODE ENFORCEMENT AGENCY FOR SPECIFICS AND PERMIT REQUIREMENTS.



DETAIL A  
SCALE 1 : 2

**TOLERANCES**  
DIMENSIONS ARE IN INCHES  
UNLESS OTHERWISE SHOWN  
FRACTIONAL: ..... ±1/16  
ANGULAR: ..... ±1°  
TWO PLACE DECIMAL: .... ±.01  
THREE PLACE DECIMAL: .. ±.005

**ANCHOR - EMBEDDED 8IN**  
**OPTIONS/ACCESSORIES**  
**PART NO. F-910SAJP-8**

**MATERIAL: STEEL**  
**FINISH: MILL**  
**APPROX. WEIGHT: 13.31 LBS.**



**9889 GARRYMORE LANE**  
**MISSOULA, MT 59808**  
**(406) 549-0769**  
**FAX (406) 549-2602**  
**www.AquaCreek.com**

**PROPRIETARY AND CONFIDENTIAL INFORMATION**  
THIS DRAWING AND ALL INFORMATION CONTAINED HEREIN IS THE SOLE PROPERTY OF AQUA CREEK PRODUCTS LLC. ANY REPRODUCTION IN PART OR AS A WHOLE WITHOUT WRITTEN PERMISSION FROM AQUA CREEK IS PROHIBITED.

REVISIONS			
REV.	DESCRIPTION	DATE	APPROVED
P1	PRODUCTION RELEASE	5/28/2021	J.MAXWELL