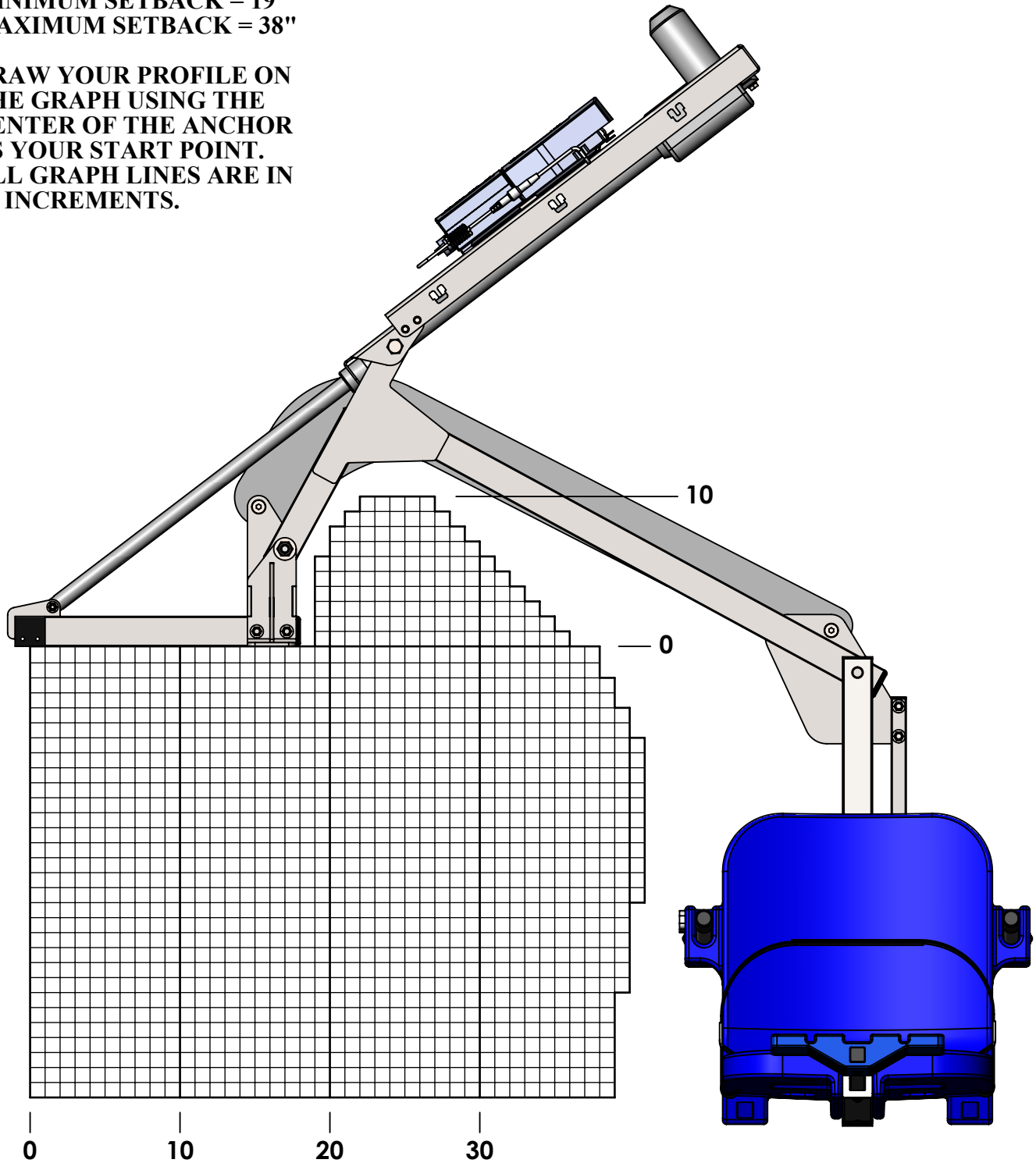


AMBASSADOR GRAPH CHART

MINIMUM SETBACK = 19"
 MAXIMUM SETBACK = 38"

DRAW YOUR PROFILE ON
 THE GRAPH USING THE
 CENTER OF THE ANCHOR
 AS YOUR START POINT.
 ALL GRAPH LINES ARE IN
 1" INCREMENTS.



9889 GARRYMORE LANE
 MISSOULA, MT 59808
 (406) 549-0769
 FAX (406) 549-2602

PRODUCT:		AMBASSADOR	
PART #:		F-PPXRD-NA	
SCALE:	1:10	DATE:	7/15/2019
DRAWN BY:	KR	REVISION:	03