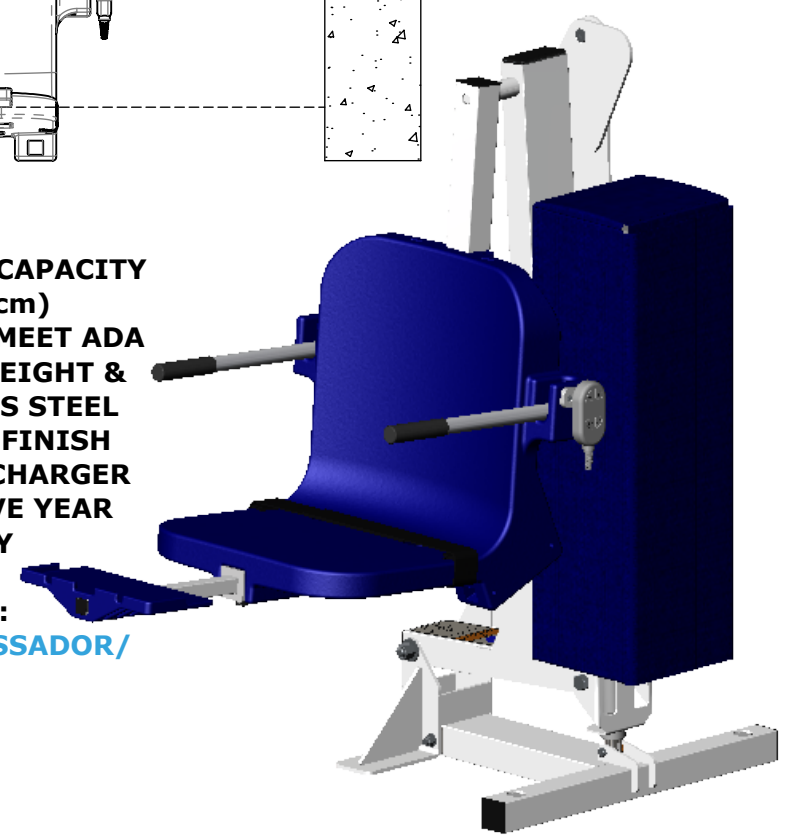


FEATURES

- ◆ UL CERTIFIED ◆ 300 LB. (136 KG.) WEIGHT CAPACITY
- ◆ SETBACK RANGE 19" TO 38" (49 - 96 cm)
- ◆ INDEPENDENT THIRD PARTY VERIFIED TO MEET ADA STANDARDS ◆ CLEARANCES VARY BY WALL HEIGHT & WIDTH ◆ FLIP UP ARMREST ◆ ALL STAINLESS STEEL CONSTRUCTION ◆ DURABLE POWDER COAT FINISH
- ◆ RECHARGEABLE BATTERY & WALL MOUNT CHARGER
- ◆ FIVE YEAR STRUCTURAL WARRANTY ◆ FIVE YEAR PRO-RATED ELECTRONICS WARRANTY

CLICK HERE TO VIEW THIS PRODUCT:
[HTTPS://AQUACREEKPRODUCTS.COM/AMBASSADOR/](https://aquacreekproducts.com/ambassador/)



AMBASSADOR - REVERSE
U.S. PATENT NO. 7,249,386 B2 & D507,7695
PART NO. F-PPXRD-R

TOLERANCES
DIMENSIONS ARE IN INCHES UNLESS OTHERWISE SHOWN
FRACTIONAL: ±1/16
ANGULAR: ±1°
TWO PLACE DECIMAL: ±.01
THREE PLACE DECIMAL: .. ±.005
MATERIAL: 304 STAINLESS STEEL
FINISH: POWDER COAT - WHITE
APPROX. WEIGHT: 128.24 LBS.



9889 GARRYMORE LANE
MISSOULA, MT 59808
(406) 549-0769
FAX (406) 549-2602
www.AquaCreek.com

PROPRIETARY AND CONFIDENTIAL INFORMATION
THIS DRAWING AND ALL INFORMATION CONTAINED HEREIN IS THE SOLE PROPERTY OF AQUA CREEK PRODUCTS LLC. ANY REPRODUCTION IN PART OR AS A WHOLE WITHOUT WRITTEN PERMISSION FROM AQUA CREEK IS PROHIBITED.
*SPECIFICATIONS ARE SUBJECT TO CHANGE WITHOUT NOTICE

REVISIONS			
REV.	DESCRIPTION	DATE	APPROVED
P1	PRODUCTION RELEASE	4/29/2021	J.MAXWELL