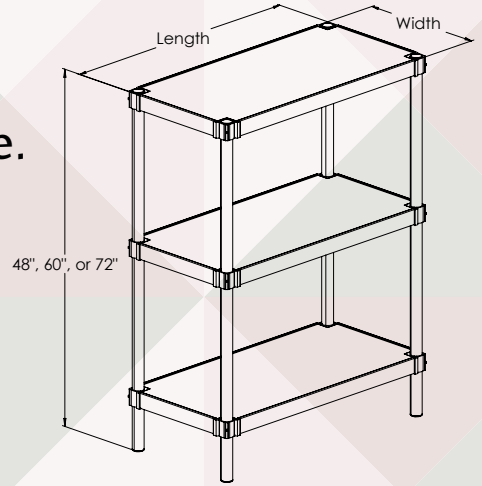


# COMPLETE SHELVING UNITS

- ▶ Make-it-your-way shelving with a variety of options – interchangeable shelves: Solid – Rail – T-Bar
- ▶ Adjustable shelves
- ▶ Easy “locking bushing” assembly
- ▶ Ships “KD” UPS



Sound difficult? Its easy! Here's an example.

Complete Shelving Unit				
Example Model # NS184824-3				
Shelf Model Prefix	Shelf Width	Post Height	Shelf Length	Number of Shelves
NS	18	48	24	-3
NS184824-3				

SHELVES



DR1824-8  
Dunnage Racks  
(see page 38)



N186048-4

Step 1: Shelf Options	
Step 2: Height Options	
Post Model Number	Post Height
POST48	48"
POST60	60"
POST72	72"
Step 3: Number of Shelves	
Model Number	Number of Shelves
-3	3 Shelves
-4	4 Shelves
-5	5 Shelves

Options: CV, CL, CHV, CHL, B – see page 82 for details



**Prairie View Industries Food Service**

PHONE 800.554.7267 | FAX 402.729.4058 | WEB www.pvifs.com