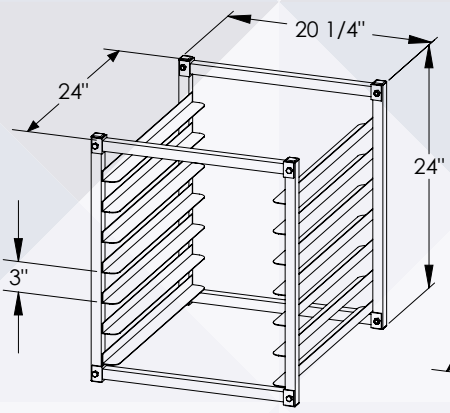


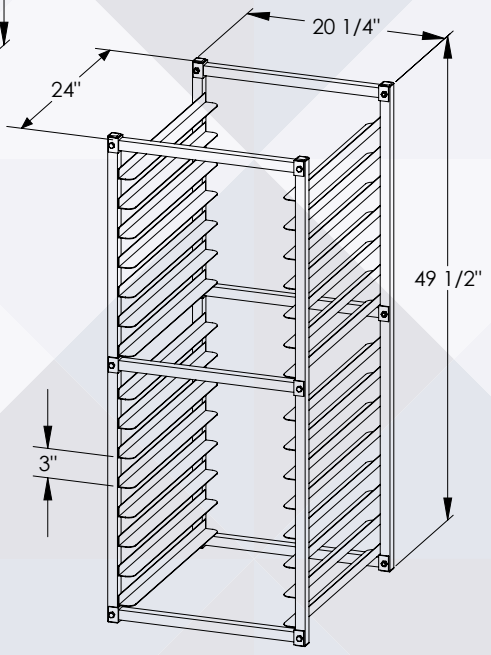
INSERT PAN RACKS



- ▶ Insert racks – fit most reach-in boxes
- ▶ 1" H x 1½" W aluminum slides; welded to frame
- ▶ Holds standard 18" x 26" sheet pans; half size 18" x 13" sheet pans
- ▶ Half size design; insert rack, countertop rack, under-counter rack
- ▶ All aluminum – WILL NOT RUST
- ▶ "KD" Knock Down rack; ships UPS in one box
- ▶ "W" All welded rack; reinforced gusset corners; full size ships LTL; half size ships UPS



WE3018-7KD-24D



WE3018-15KD-24D

Insert Pan Racks				
Model Number	Description	Size W x H x D	Shelf Spacing	Pan Capacity
WE3018-7W-24D	All Welded, Half Size, End Load	20¼" x 24" x 24"	3"	7
WE3018-7KD-24D	Knock Down, Half Size, End Load	20¼" x 24" x 24"	3"	7
WE3018-15W-24D	All Welded, Full Size, End Load	20¼" x 49½" x 24"	3"	15
WE3018-15KD-24D	Knock Down, Full Size, End Load	20¼" x 49½" x 24"	3"	15

