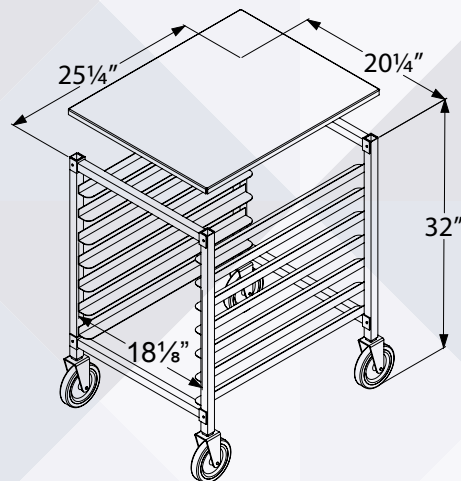


W-SERIES HALF SIZE PAN RACKS

- ▶ 1" H x 1½" W Aluminum slides; welded to frame
- ▶ Holds standard 18" x 26" sheet pans
- ▶ 5" swivel stem casters (CV)
- ▶ "KD" Knock Down rack; ships UPS in one box
- ▶ "W" All welded rack; reinforced gusset corners; ships UPS
- ▶ Optional tops: poly, stainless and aluminum



WE3018-7W



WE3026-7W

W-Series Half Size Pan Racks

Model Number	Description	Size W x H x D	I.D. Width	Shelf Spacing	Pan Capacity	Weight (lbs)
WE3018-7KD	"KD" End Load	20¼" x 32" x 25¼"	18⅞"	3"	7	15
WE3018-7W	All Welded End Load	20¼" x 32" x 25¼"	18⅞"	3"	7	15
WE3026-7KD	"KD" End Load	28¼" x 32" x 18¼"	26⅞"	3"	7	23
WE3026-7W	All Welded End Load	28¼" x 32" x 18¼"	26⅞"	3"	7	22

Options: CL, CHV, CHL, PS, PT, ST, AT – see page 82 for details

Optional Covers: see page 81 for specifications - call for quote



Prairie View Industries Food Service

PHONE 800.554.7267 | FAX 402.729.4058 | WEB www.pvifs.com