

WALL MOUNT SHELVES

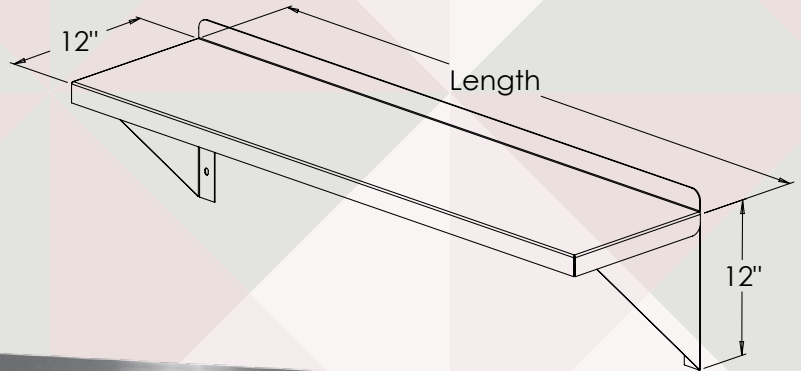


▶ Aluminum Wall Mount Shelves

- ▶ Ships "KD" – Easy Assembly
- ▶ 1½" Backsplash
- ▶ Durable – easy clean design
- ▶ All welded corners
- ▶ Weight capacity is determined by wall anchors(mounting hardware not provided)

▶ Stainless Steel Wall Mount Shelves

- ▶ 300 Series stainless
- ▶ 16 Gauge gusset supports
- ▶ 18 Gauge shelf surface



WS1236SS

Wall Mount Shelves

Model Number	Shelf Qty.	Size W x H x L	Supports	Weight (lbs)
WS1224	Aluminum	12" x 12" x 24"	2	5
WS1236	Aluminum	12" x 12" x 36"	2	6
WS1248	Aluminum	12" x 12" x 48"	2	7.5
WS1260	Aluminum	12" x 12" x 60"	3	10
WS1272	Aluminum	12" x 12" x 72"	3	11
WS1224SS	Stainless Steel	12" x 12" x 24"	2	9
WS1236SS	Stainless Steel	12" x 12" x 36"	2	12
WS1248SS	Stainless Steel	12" x 12" x 48"	2	14
WS1260SS	Stainless Steel	12" x 12" x 60"	3	17
WS1272SS	Stainless Steel	12" x 12" x 72"	3	21
WS1284SS	Stainless Steel	12" x 12" x 84"	4	25
WS1296SS	Stainless Steel	12" x 12" x 96"	4	26