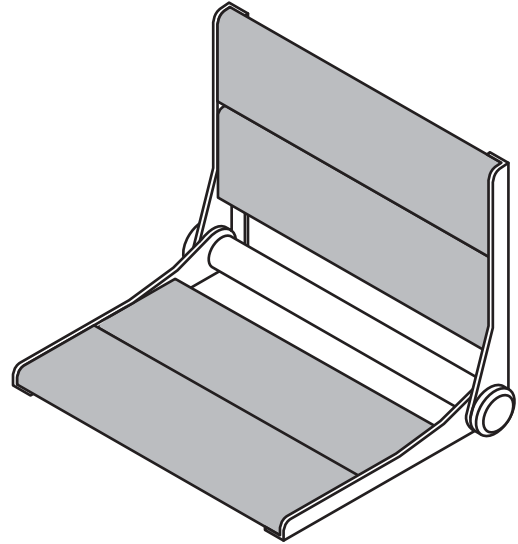


### Technical Data Sheet

#### Product Specification

The shower seat shall have a Laminated Bamboo back rest and seating surface. The seating surface shall be 18"/46cm in width if using WS-18, or 26"/66cm in width if using WS-26. Product back rest shall be removable. Product shall fold up against the wall with a profile of less than 3"/7.62cm. Product shall be held in the folded position using a tension hinge. The product shall be supported by two 15.5"/39.37cm hidden supports. The seat frame shall be constructed of corrosion resistant #304 stainless steel. Product shall have a weight capacity in excess of 500lbs / 227kg.



#### Key Features

- Bamboo Seat and Back Rest
- Fold Away Storage
- Slim Profile (Under 3" when folded)
- Solid Construction and Mounting
- Hidden Mounting Brackets
- 500lbs / 227kg Weight Capacity

#### Codes and Standards

- ADA 610.4 Structural Strength
- Ontario Building Code Section 3.8.3.13



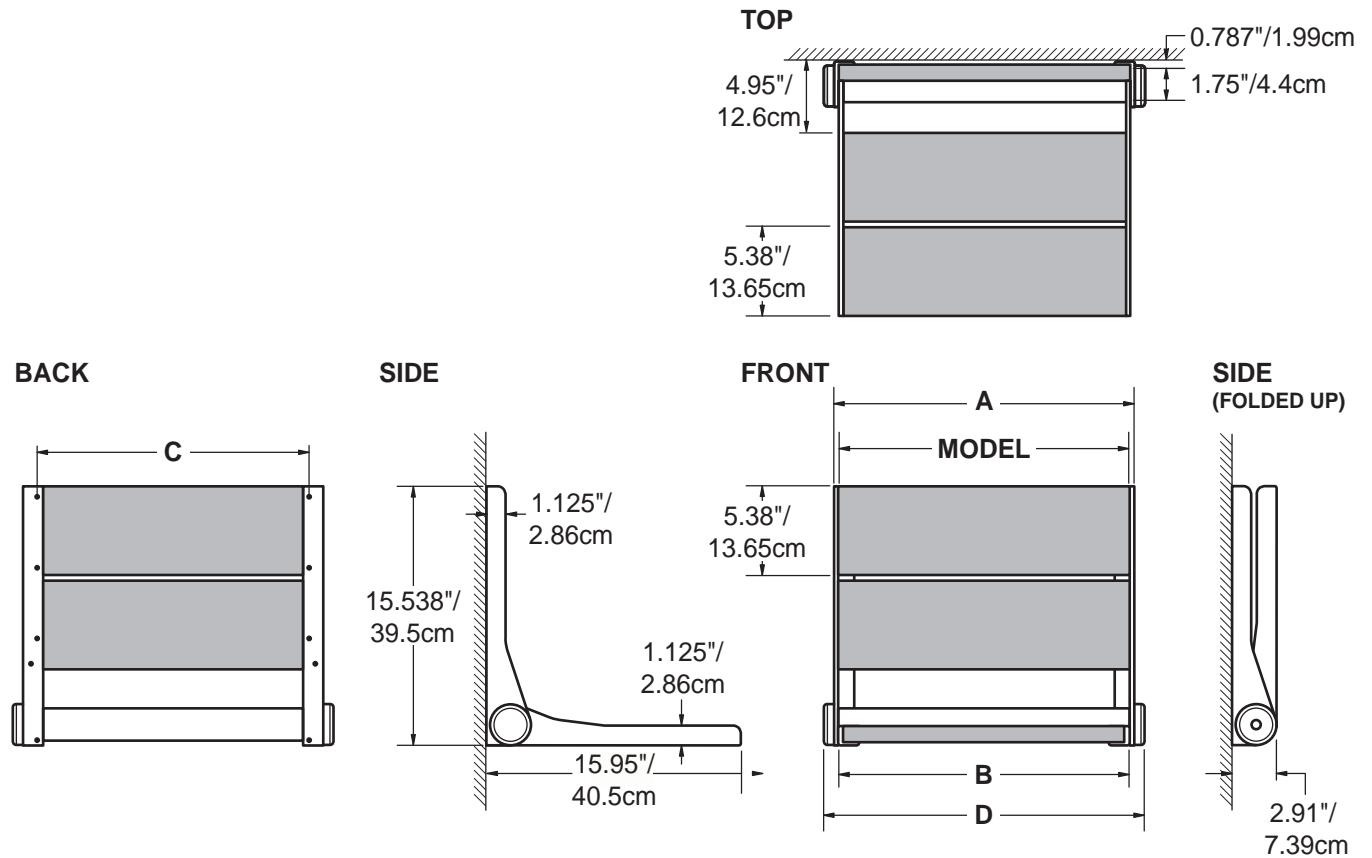
#### Specified Model

Model	AAA - Bamboo Stain	BBB - Frame Finish	Frame Material
INV-WS18-AAA-BBB	Light	BS (Brushed Stainless)	#304 Stainless Steel
INV-WS26-AAA-BBB	Medium	CP (Chrome Polish)	
	Dark	BLK (Matte Black) ORB (Oil Rubbed Bronze)	

### Technical Data Sheet

#### Product Dimensions

Model	A (Back Rest)	B (Seat)	C (Hole Spacing)	D (Overall Width)	Weight
<b>WS18"</b>	17.93" / 45.5cm	17.42" / 44.2cm	16.10" / 40.1cm	19.438" / 49.4cm	16.7lbs / 7.5kg
<b>WS26"</b>	26.520" / 67.4cm	26.010" / 66.1cm	24.69" / 62.7cm	28.028" / 71.2cm	22.2lbs / 10.1kg



#### Shipping Dimensions

Model	Height (H)	Width (W)	Depth (D)	Weight
<b>WS-18</b>	17.6875" / 44.9cm	22.5" / 57.15cm	5.25" / 13.3cm	21.7lbs / 9.8kg
<b>WS-26</b>	17.6875" / 44.9cm	31.09" / 78.9cm	5.25" / 13.3cm	27.2lbs / 12.3kg

