

Owner's Manual

1326SC, 1328SC



Bariatric Shower/Commode Chair

"We're Big on People"

500 County Road 239 Abilene, TX U.S.A.

800-637-8436 * FAX 325-400-3988

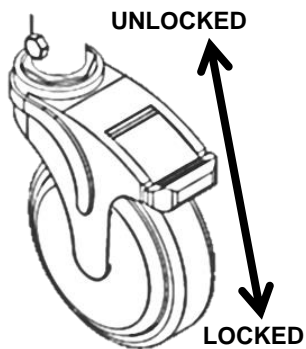
Made in the USA and Distributed by ConvaQuip

Thank you for choosing ConvaQuip!

Your Shower/Commode chair has been carefully assembled in Northwest Ohio. With proper care and maintenance, it will provide many years of reliable service. Before using your chair, please read this manual thoroughly.

CHAIR MAINTENANCE AND SAFETY INSPECTION

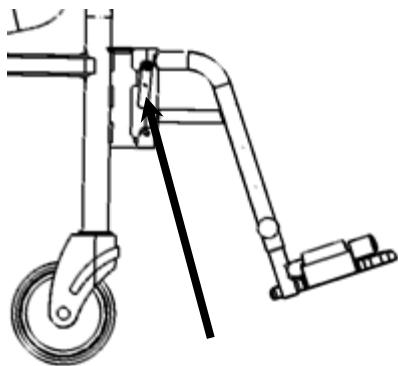
5" Caster Wheel- The wheel design is high strength, high durability, and maintenance-free. Sealed precision bearing raceway guarantees superior rollability and performance. Periodically examine tires for wear and debris. Worn tires will make your wheelchair difficult to propel and hold in place. All wheels should be replaced at the same time to prevent chair from pulling to one side or not locking properly.



5" Brake Casters – Brake casters do not swivel. A foot pedal brake is built into both brake casters. To take off caster, unfasten bolt, then pull out caster. When installing the caster, ensure that the bolt is fastened tightly and the caster is oriented toward the backrest.

Brakes- To engage the brakes, press foot on each brake pedal until it fully lowers. To disengage brakes, lightly kick the brake pedal up into its normal resting position. Occasionally check wheels for wear and debris as those can affect the performance of the brakes.

5" Swivel Casters - Adjust wheels that are loose and casters that flutter. The 8" wheel is secured to the frame by a cross bolt at the stem of the caster. To take off caster, unfasten bolt, then pull out caster. When installing the caster, ensure that the bolt is fastened tightly to the frame.

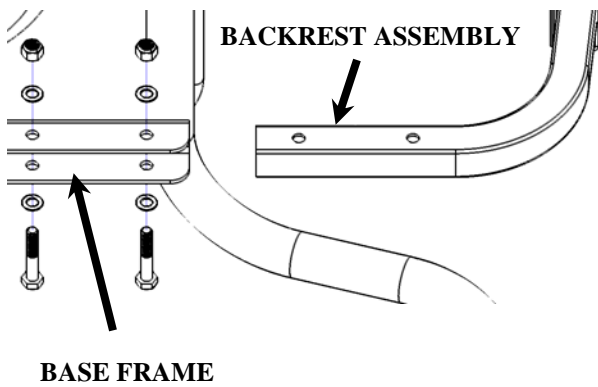


LOCK LEVER

Footrests- To remove footrests rotate lock levers away from footrest and lift footrest assembly off.

Seat Pad and Backrest Fabric- Only premium grade high density polyethylene is used on the seats. Replace immediately if material is cracked or mounting holes are stripped. The adjustable backrest is made with water repellent Phifertex fabric. Replace immediately if tears in fabric are present.

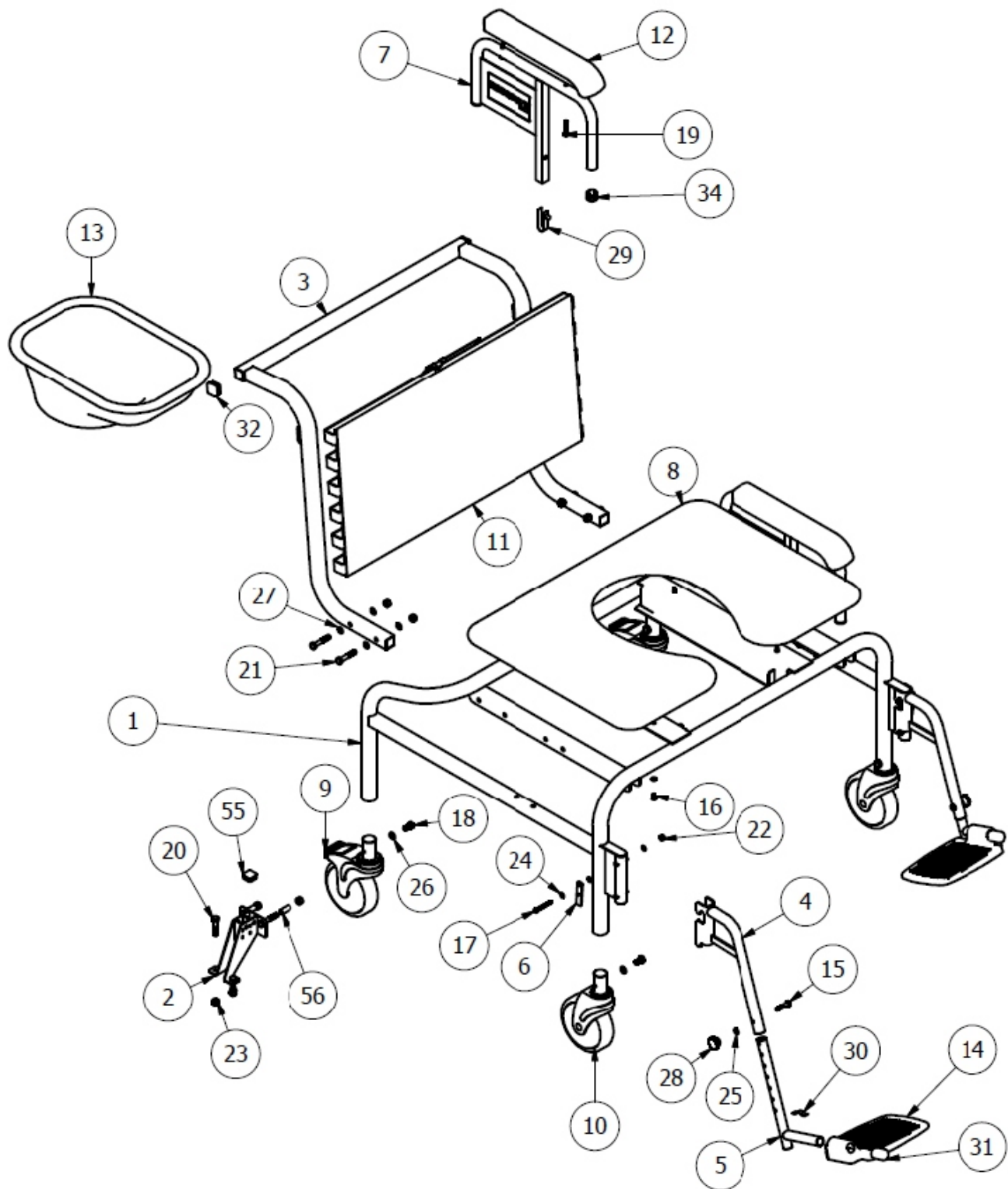
Cleaning and Polishing- All components may be cleaned with warm water and a mild detergent. Wipe dry immediately with a soft clean cloth



Back Assembly- Insert back assembly into lower frame and line up the two holes in back assembly with two holes in the lower frame. Insert bolt with washer through hole and install nut with washer. Repeat alignment on other side and install the other two bolts, washers, and nuts. Tighten all bolts and nuts until snug.

WARNING!

- You must heed the following warnings. Read all instructions before using the shower commode chair.
- Failure to observe these safety warnings may result in personal injury or mechanical failure.
- Maximum weight capacity for the chair is 750 Lbs. Do not exceed the weight limit of the chair.
- Never lift the shower commode chair while it is occupied.
- Do not tilt the chair back when occupied.
- Do not lift the chair by any removable parts including armrests and footrests. Lifting the chair by these parts, even if the chair is not occupied, may cause personal injury or damage to the chair.
- Only use the backrest with all straps properly latched. Failure to do so could cause serious injury.
- Do not move forward in seat to reach for objects. Do not pick objects up from the floor by reaching down between your knees.
- Do not stand on footrests. When entering or exiting the chair, always fold up the footrests.
- Always be sure the brakes are locked when entering or exiting the chair.
- Be sure armrests are locked in position.
- Chair can safely go over a 1 ¾" shower threshold.
- Do not attempt to go up or down steps.
- Do not ride over curbs or obstacles.
- Do not use the chair outdoors.
- Do not park the chair on an incline.
- Do not use the chair on a slope grade steeper than 10%. (A 10% slope grade means one foot in elevation for every ten feet of slope length.)
- Wipe the shower chair dry immediately after use.



REF NO.	DESCRIPTION	QTY REQ'D	PART NUMBER	REF NO.	DESCRIPTION	QTY REQ'D	PART NUMBER
FRAME ASSEMBLY				FOOTREST ASSEMBLY			
1	FRAME, CHAIR, SS	1	26800		Complete Footrest Assy, Left or Right		20622
FOOT LOCKING PLATE ASSEMBLY				5	ASSY, H/O BKT. & EXT. TUBE	2	SX1400-2
7	ASSY, LOCK PLATE & PIN, SS	2	SX1024-2	6	ASSY, SWIVEL TUBE	2	FC1555-4
15	SCREW,PPH 10-24 X 1-1/2" SS	2	P315-4	17	SCREW,HHC 1/4-20 X 1-1/4" SS	2	P372-4
21	NUT, LOCK #10-24 SS	2	P545-4	24	WASHER, LOCK 1/4" SS	2	P757-4
23	WASHER, FLAT #10 SS	6	P630-4	28	KNOB, ADJ..	2	P151-1
ARMREST SOCKET ASSEMBLY				29	FOOTPLATE, ALUM.	2	P945
2	WLMT, ARM SOCKET, SS	2	26801	31	SPRING, FOOTPLATE	2	FC69-1
18	SCREW, HHC 5/16-18 X 1-1/2" SS	4	P383-4	32	CAP, END	2	P577
19	SCREW, HHC 5/16-18 X 1-3/4" SS	4	P384-4	ARMREST ASSEMBLY			
22	NUT, LOCK 1/4-20 SS	4	P547-4	Complete Amrest Assy.			
27	TUBE, SPACER	4	26519	4	WLMT, S/C ARMREST, ALUM	2	C1078-29BW
33	CAP, END, 7/8" SQ	2	P155	11	ARMREST, MOLDED	2	P1120
FRONT CASTOR ASSY.				16	SCREW, PRHM 1/4-20 X 1-1/4" SS	4	P307-4
12	CASTER, 5", SWIVEL W/O BRAKES	2	21454-8	30	BUTTON, SNAP SS	2	P858-4
20	SCREW, HHC M8 X 1.25 X 16mm	2	P20043-1	34	CAP, END, 7/8" OD, 14-23GA	4	P161
25	WASHER, LOCK, SS, 5/16" ID	4	P759-4	SEAT			
REAR CASTER ASSY.				SEAT			
10	CASTER, 5", RIGID STEM W/ BRAKES	2	21454-7	9	SEAT, S/C	1	
20	SCREW, HHC M8 X 1.25 X 16mm	2	P20043-1		26" WIDTH		20627-13
25	WASHER, LOCK, SS, 5/16" ID	4	P759-4		28" WIDTH		20627-14
BACK				14	SCREW, PPH #10-32 X 1-1/2" SS	8	20669-1
BACK				23	WASHER, FLAT, #10 SS	4	P630-4
BACK				BACK			
BACK				3	WLMT, BACK FRAME, SS	1	26806
BACK				8	BACK, ADJUSTABLE, S/C	1	26802
BACK				19	SCREW, HHC 5/16-18 X 1-3/4" SS	4	P384-4
BACK				22	NUT, LOCK 1/4-20 SS	4	P547-4
BACK				26	WASHER, FLAT, 5/16" ID SS	8	P741-4
BACK				35	CAP, 1" SQ - 14-20GA	2	P152
MISCELLANEOUS				MISCELLANEOUS			
MISCELLANEOUS				13	PAN,COMMODE W/ LID	1	1328P-770

Model No.....

Serial No.....

Date of purchase.....

BUILT, INSPECTED & PACKED BY: DATE BUILT:

LIMITED WARRANTY

This limited warranty is extended to the original purchaser/user and cannot be transferred.

The Shower/Commode Chair frame is warranted for 2 years against defects in material and workmanship. All other components are warranted for 1 year against defects in material and workmanship.

Defective parts will be repaired or replaced by the company or its appointed agent. The warranty does not cover damage caused by misuse or negligence, nor does it cover defects or damages by use of unauthorized parts or service by an unauthorized person.

This warranty gives you specific legal rights, and you may also have other rights that vary from state to state. Do not return merchandise without prior authorization. All correspondence relating to this warranty must indicate Model number and Serial number and be addressed to:

**ConvaQuip Ind., Inc.
500 County Road 239
Abilene, TX 79601**

NOTICE

FREIGHT DAMAGE -The carrier who delivers merchandise to your door is responsible for loss and damages. Acceptance of the shipment by you is acknowledgment that all articles delivered were in good condition and properly packed. Therefore, all claims for loss or damage must be filed immediately with the freight carrier. Then notify us. We will mark our records accordingly. After settling claim, damaged merchandise will be picked up by the freight carrier and returned. Should you need assistance with the claim, call our customer service at 800-637-8436.

RETURN GOODS - Within 60 days from date of purchase returns will be subject to a handling and re-stocking charge plus any additional costs resulting from damage or use. After 60 days from date of purchase: ConvaQuip reserves the right to not accept return goods for any reason. If accepted, the amount of credit will be at the discretion of ConvaQuip. Returned merchandise without prior authorization will not be accepted.