

# **BESTSTAND®**

SIT-TO-STAND LIFT

Model: SA400H/SA400HE

# **Bestcare**

L.L.C.



SA400HE model shown



SA400H model shown

## BEFORE USE:



Ensure the product has been assembled according to the instructions in this manual. All operators should read and understand the instructions for safe and proper operation of the patient lift.



# Thank you for choosing Bestcare!

To better serve you, please record the following information for future use:

Supplier Name: \_\_\_\_\_

Supplier Telephone: \_\_\_\_\_

Product Serial Number: \_\_\_\_\_

Date of Purchase: \_\_\_\_\_

## Date of Manufacture

**BestStand® SA400**  
**MAX LOAD: 400LB**  
MASS OF LIFT:115LB(52.3KG)  
**Bestcare**  
2920 Pacific Dr,  
Norcross, GA 30071  
1-678-679-6690  
S/N: SA400YYMM1XXX



The manufacture date can be found on the serial number label that is located at the top of the mast. The YY in the serial number is the manufacture year, and the MM is the manufacture month.



This product has been tested by SGS, an accredited testing institute to comply with the requirements of:

ISO 10535, IEC 60601-1, ANSI/AAMI ES60601-1, CAN/CSA-C22.2 No.60601-1, IEC 60601-1-11, ANSI/AAMI HA60601-1-11, CAN/CSA-C22.2 No.60601-1-11, IEC 60601-1-2

## **i** Product Description

The BestStand® SA400H and SA400HE allow the patient to be lifted and transferred safely with minimal physical effort provided by the operator. The SA400HE and SA400H uses an electric actuator and a hydraulic pump, respectively, to lift patients weighing up to 400lbs from a sitting to a standing position from either a bed or a chair for transferring. SA400H can covert to a SA400HE with an electric actuator kit, and vice versa with a hydraulic pump. The SA400H and SA400HE have a T-bar to allow for a fast lifting action. The SA400H and SA400HE have a footplate to be used while transferring patients from one surface to another. The SA400H and SA400HE also include an adjustable cushioned knee pad for additional comfort and support while patients are being transferred. The SA400H and SA400HE have a compact base for maneuvering easily while still providing a wide lifting range. The SA400H and SA400HE are compatible with the stand assist sling and sani-sling with the option to add the knee and buttocks support straps.




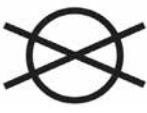













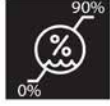


## **i** Intended Use

The SA400H and SA400HE are intended for patients who are lacking leg strength in their lower extremities but are still able to bear weight. The SA400H and SA400HE are intended to assist with standing from a seated position while using the commode, changing clothes and/or to relieve pressure. The SA400H and SA400HE are intended to have one caregiver operate the lift to perform the transfer. Transfers are intended to be performed on a flat, dry surface and lifts are not to be used in high humidity environments for extended periods of time.

# DEFINITIONS & SYMBOLS

In this manual the user refers to the patient or resident and may be used interchangeably at different times. Caregiver refers to the operator or person who is assisting with the transfer.

Symbols used in this manual and on the product and their meanings:

	Warning! Failure to heed this warning may result in damage to the product or serious injury to the operator and/or user.		Do Not Bleach. No bleach product may be used. The garment is not colorfast or structurally able to withstand any bleach.
	Important instructions follow. Read and understand the instructions in the manual before using the product.		Do Not Dryclean. Garment may not be commercially drycleaned.
	Type BF applied part. Refer to the part of the medical device which come into physical contact with the patient in order for the device to carry out its intended		Do Not Iron. Item may not be smoothed or finished with an iron.
	Class II symbol. To identify equipment is designed that a connection to electrical earth (ground) is not required.		Tumble Dry, Normal, Low Heat. A machine dryer may be regularly used at a maximum of Low Heat setting.
	Note! Important information concerning the product and/or its correct and proper usage follows.		Do Not Dry. A machine dryer may not be used.
	Advise the operator to consult the accompanying documents before use.		Machine Wash, Hot. Initial water temperature should not exceed 82°C or 180°F.
	Right side up		Do Not Wash
	Fragile, handle with care		Keep dry
	Carton storage temperature limit of -25°C to 70°C		Carton storage humidity limit of 0% to 90%
	European Conformity mark, The product conforms to European Medical Directive 93/42/EEC and meets applicable health, safety and environmental requirements.		Handle with care



# Safety Instructions

A BestStand® will provide years of service if it is properly maintained as any electric and/or mechanical equipment requires. Please pay careful attention to the following important information regarding the care, maintenance, and operation of the patient lift. Carefully read these instructions before assembling the lift, or attempting to lift a user with the device.

- Before attempting to lift any patient, please practice operating the lift and explain the lift procedures to the patient
- Please provide special assistance under the caretakers' discretion. (i.e. patients who are comatose, spastic, agitated, or otherwise severely handicapped.)
- The patient lift should be used solely for transferring a user/patient from one utility (beds, chairs, toilets, etc.) to another. The patient lift should not be used for transporting or moving any patient from one location to another location.
- During lifting or lowering, whenever possible, always keep the base of the lift in the widest position.
- The base of the lift should be closed before moving the lift.
- Do not roll casters over any object while the user/patient is in the sling.
- Do not lock casters during lifting.
- While being lifted in a sling, always keep the user/patient centered over the base and facing the caregiver operating the lifter.
- Never leave the user/patient unattended during lifting.

Service personnel may contact Bestcare for any information, instructions, or certain parts for servicing purpose.



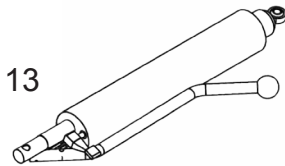
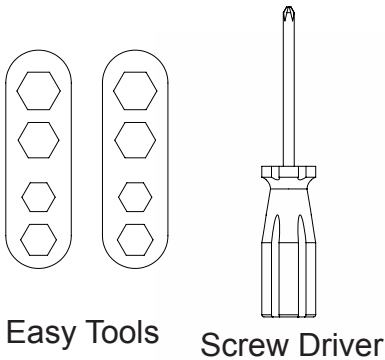
# WARNING!

- **NO** modification of this equipment is allowed. It is unsafe to modify the equipment from its original state. This product is deemed safe to use with only the original parts as delivered. Unauthorized use of any modified equipment may result in serious injury or death.
- **DO NOT** replace any components of the lift without consulting with Bestcare and must follow proper instruction from Bestcare when replacing any components.
- **DO NOT** service any parts of the lift while in use with a patient.
- It is **NOT** safe to load the equipment more than the indicated maximum safe working load.
- **IF** any accessories with lower load capacity than the equipment itself is used, **DO NOT** load the equipment more than the lowest maximum safe working load.
- **REMOVE** the battery pack if the lift will not be used for some time, to prevent battery leakage. **PERIODICALLY** check the battery pack and the charger
- This equipment **DOES NOT** consist of any materials or ingredients to which patients are exposed, that may cause bodily harm or injury.
- Prolonged exposure or physical contact with any part of the equipment **WILL NOT** cause skin irritation, allergic reaction, etc.
- Using accessories, detachable parts, or materials not described in the instruction manual **MAY RESULT IN SERIOUS INJURIES.**
- Keep the equipment away from children and pets when in use. **IT MAY CAUSE SERIOUS INJURY OR DEATH.**
- Keep the equipment away from any pests or pest infested area. Diseases transferred from pests to the equipment **MAY CAUSE SERIOUS ILLNESS** to patients upon contact.
- If the lift is exposed to the sun for long periods of time, be **CAUTIOUS** as the surface of the lift may be hot.
- There are no risk if the lift is exposed to reasonably foreseeable environmental conditions
- **CAUTION!** The controller contains parts and assemblies that could be susceptible to **damage by electrostatic discharge (ESD)**. To reduce the likelihood of this, one should be grounded prior to using the controller.
- **DO NOT** use the lift on a inclined surface that is greater than 5°.

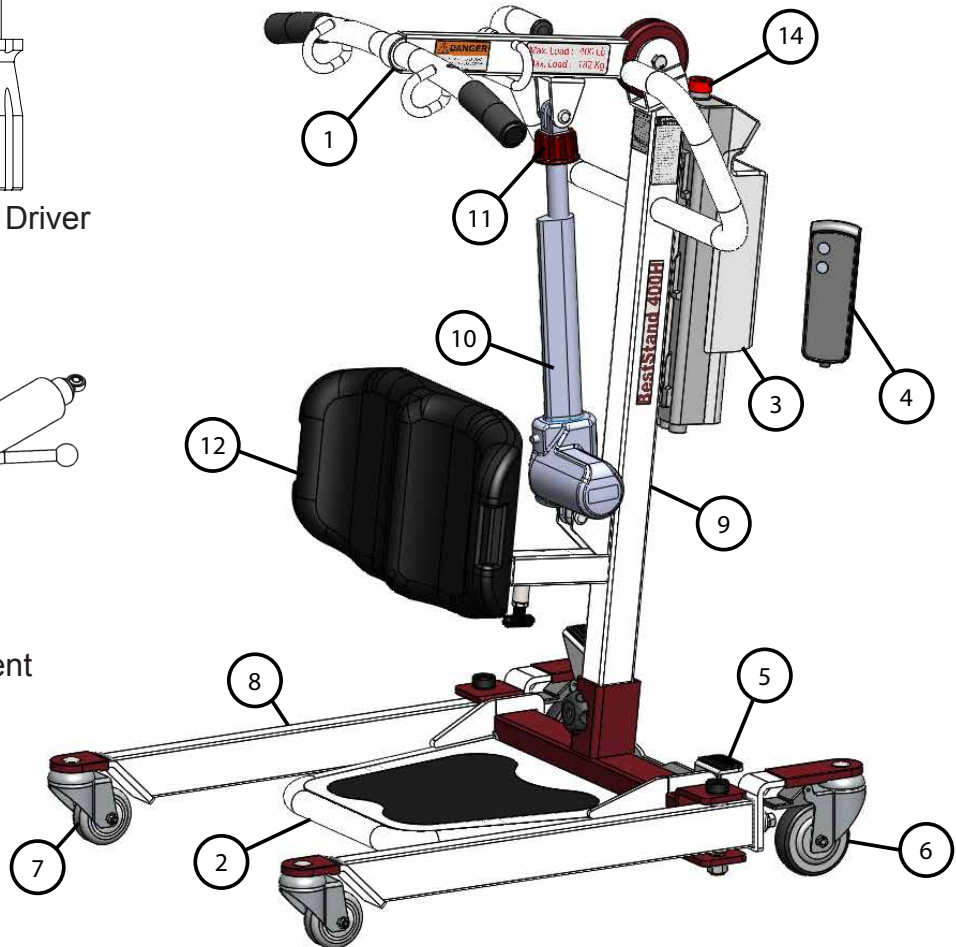


# FEATURES & OVERVIEW

**i** Prior to assembly, unpack and inspect all parts from the shipping carton. Contact your dealer immediately if any parts are damaged or missing.



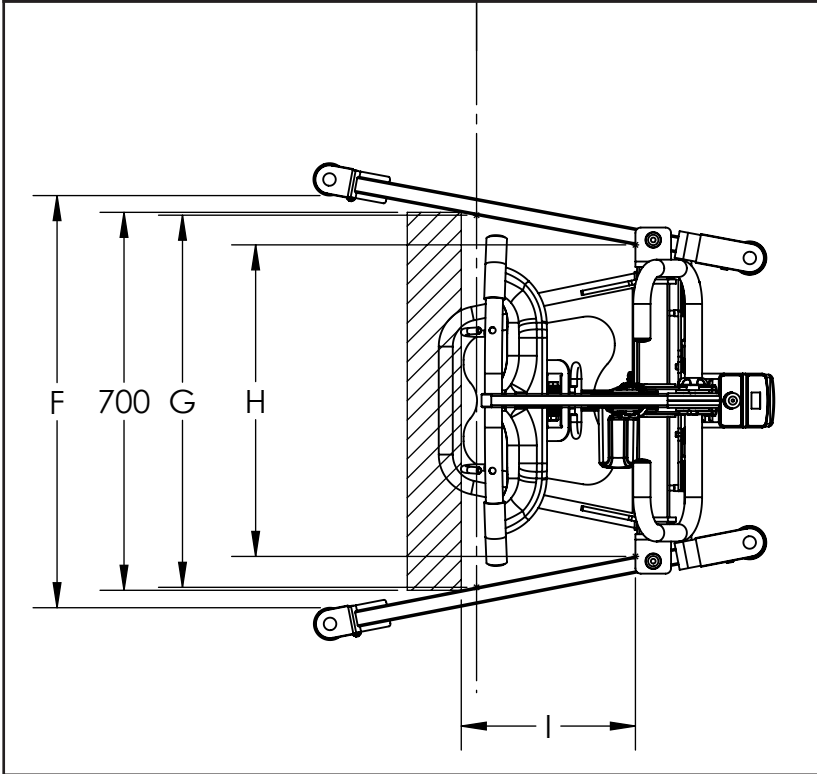
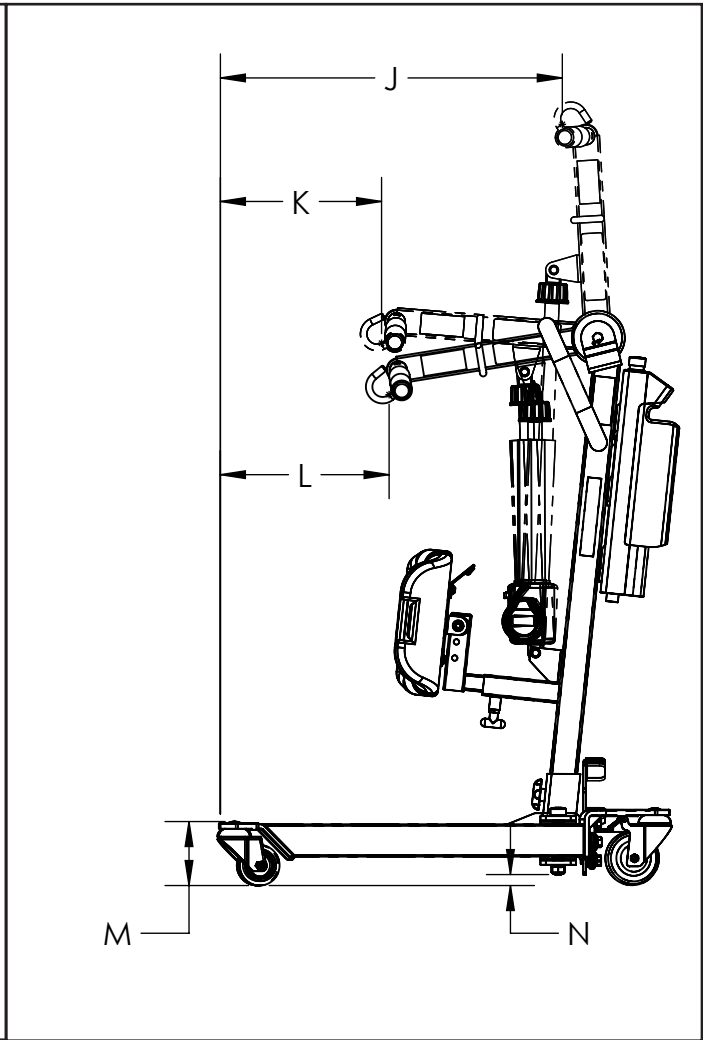
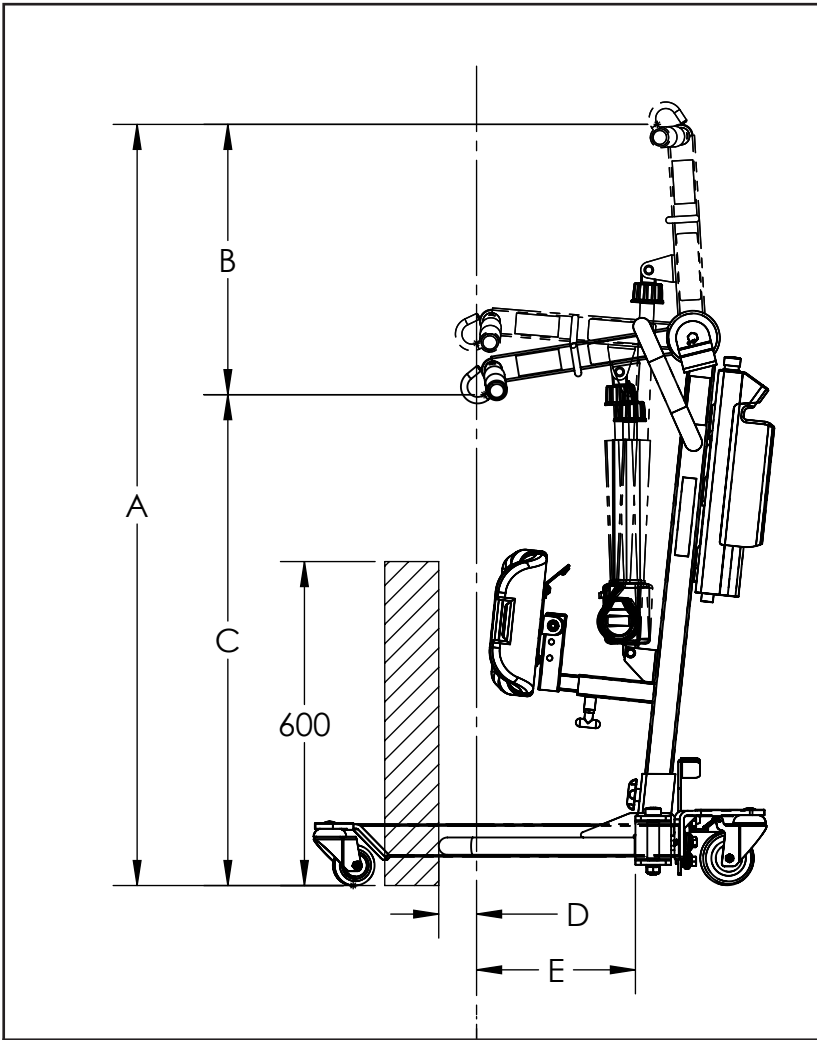
Class II Equipment



\* SA400HE model shown

1	Boom	7.60 lb (3.5 kg)	6	Rear Caster	11	Emergency Lowering
2	Footplate	9.80 lb (1.6 kg)	7	Front Caster	12	Knee Pad 11.60 lb (5.3 kg)
3	Control Unit	11.00 lb (4 kg)	8	**Base	13	Hydraulic Pump (For SA400H Model Only) 13.60 lb (6 kg)
4	Hand Control	0.70 lb (0.3 kg)	9	Mast	14	Emergency Stop Button
5	Leg Opening Pedal		10	Actuator (For SA400HE Model Only)		

\*\* Heaviest detachable part

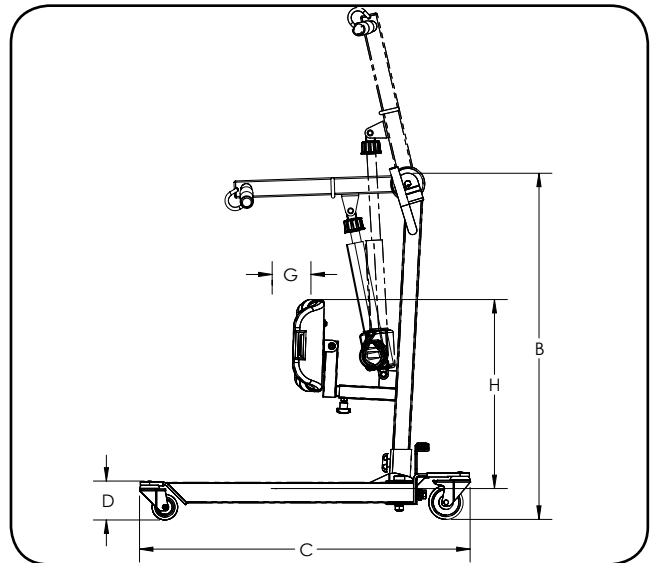
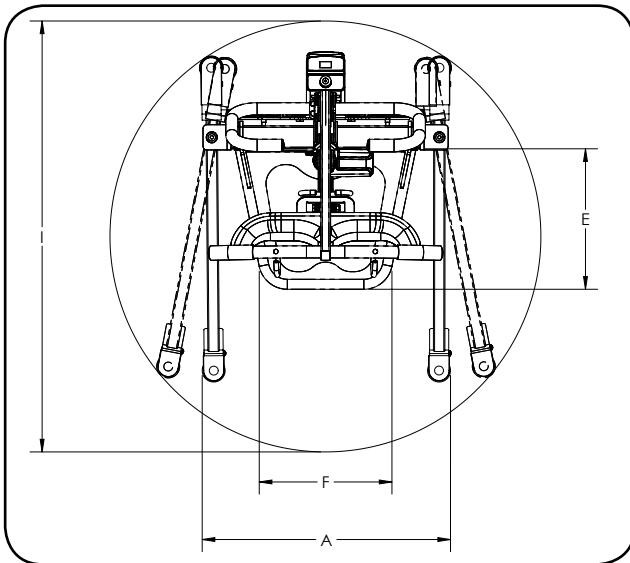


	SA400H	SA400HE
	mm (in)	mm (in)
A	1409.7 (55.5)	1409.7 (55.5)
B	500.5 (19.7)	500.5 (19.7)
C	909.2 (35.8)	909.2 (35.8)
D	70.1 (2.8)	70.1 (2.8)
E	294.2 (11.6)	294.2 (11.6)
F	763.3 (30.1)	763.3 (30.1)
G	689.2 (27.1)	689.2 (27.1)
H	577.0 (22.7)	577.0 (22.7)
I	322.6 (12.7)	322.6 (12.7)
J	633.3 (24.9)	633.3 (24.9)
K	298.5 (11.8)	298.5 (11.8)
L	312.5 (12.3)	312.5 (12.3)
M	118.5 (4.7)	118.5 (4.7)
N	20.3 (0.8)	20.3 (0.8)



# SPECIFICATIONS & OPTIONS

Specifications of Control Unit	
Input Voltage	220-240VAC 50Hz / 110-120VAC 60Hz
Output Voltage	24 VDC
Battery Pack	24 VDC 5AH
Lift Control	Handset and Panel
Protection Class	IP54 (Protection against dust and splash of water)
Sound Level Under Full Load	16db
Sound Level Under No Load	11db
Cycles Per Charge	25 full cycles under full load
Over-Duty Warning	by LCD
Battery Status	by LCD
Duty Cycle	10% Duty cycle (Max 2 minute ON, 18 minute OFF)



Dimensions & Specifications			
Model		SA400H	SA400HE
Safe Working Load		400 lb	400 lb
A	Base Ext. Width - Closed	25.6"	25.6"
B	Mast Height	41"	41"
C	Base Length	33.6"	33.6"
D	Front Caster Height	4.7"	4.7"
E	Footplate Length	14.5"	14.5"
F	Footplate Width	13.7"	13.7"
G	Knee Pad Depth Range	4.5"	4.5"
H	Knee Pad Height Range	21", 20" or 19"	21", 20" or 19"
I	Turning Radius	44.4"	44.4"

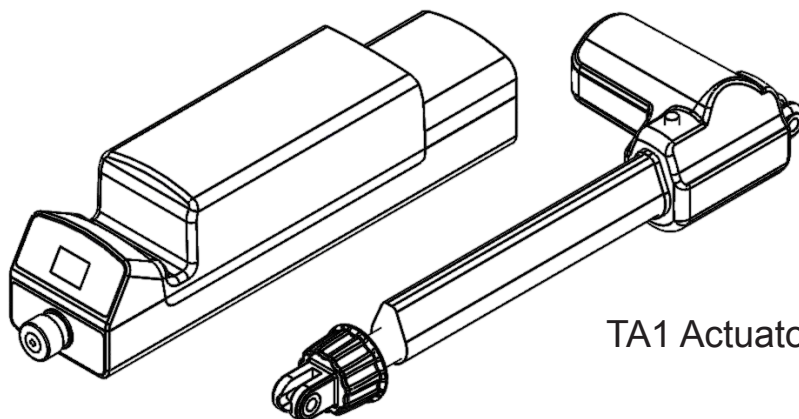
Standard Features	
1	4-Points Boom
2	4" Rear Caster with Brake
3	3" Front Caster
4	Power Control Unit
5	Single Piece Molded Kneepad
Optional Features	
1	Charging Cradle
2	Second Battery pack

\* Bestcare is committed to continuous improvements of our products therefore the specification, dimensions, and features listed above are for guidance only and are subject to change without prior notice.

# Actuator may vary based on the lift model

SA400HE

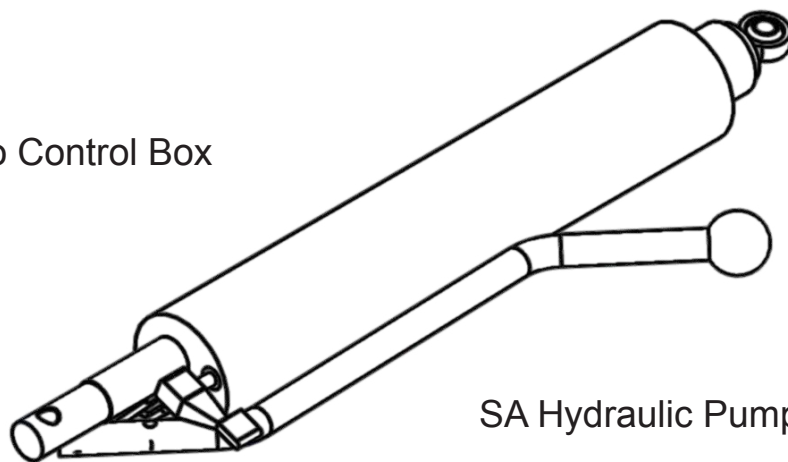
TC12 Control Box



TA1 Actuator

SA400H

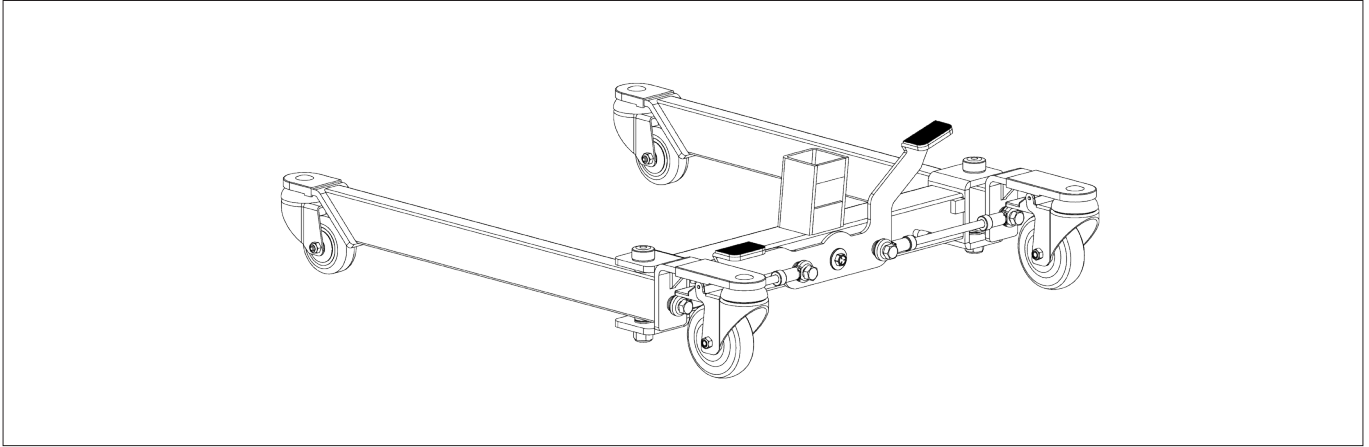
No Control Box



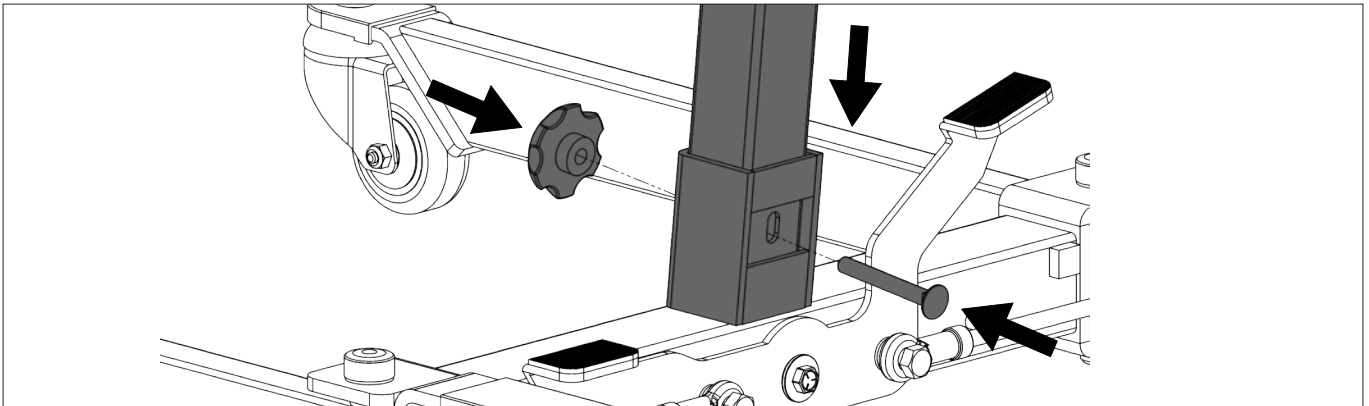
SA Hydraulic Pump

# Installation

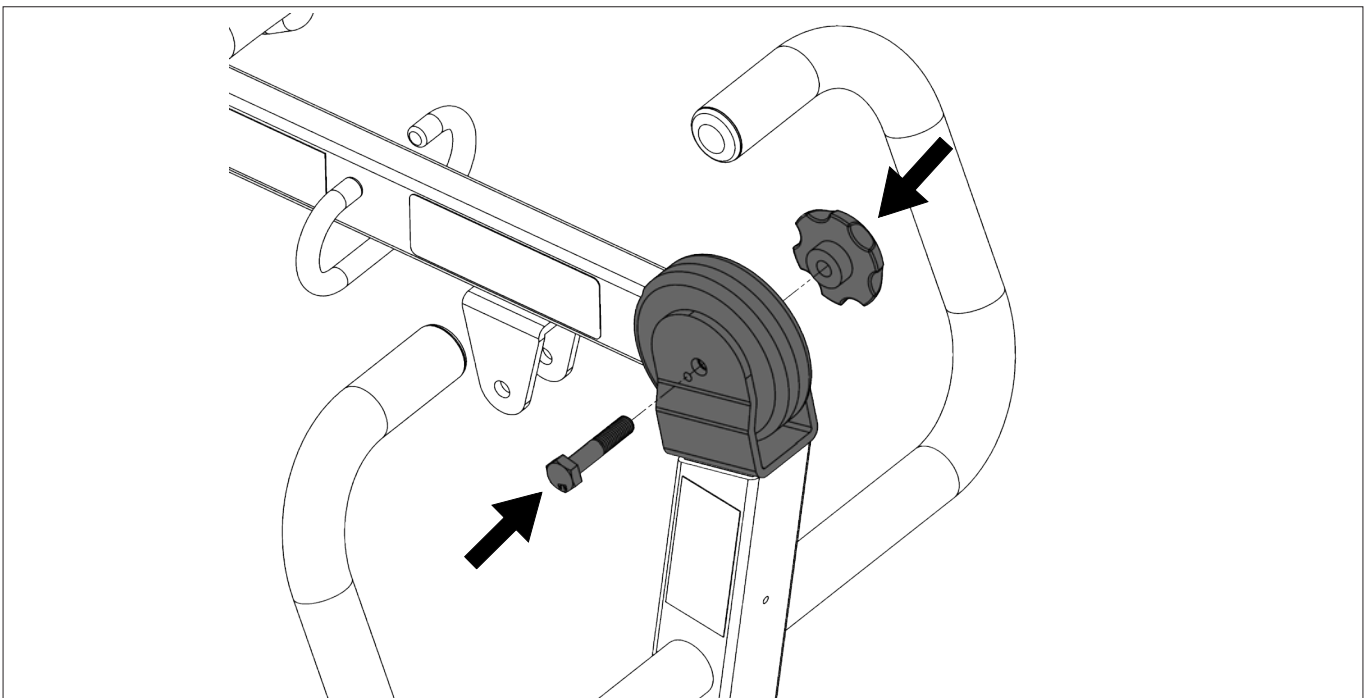
**Step 1:** Remove the base from box.



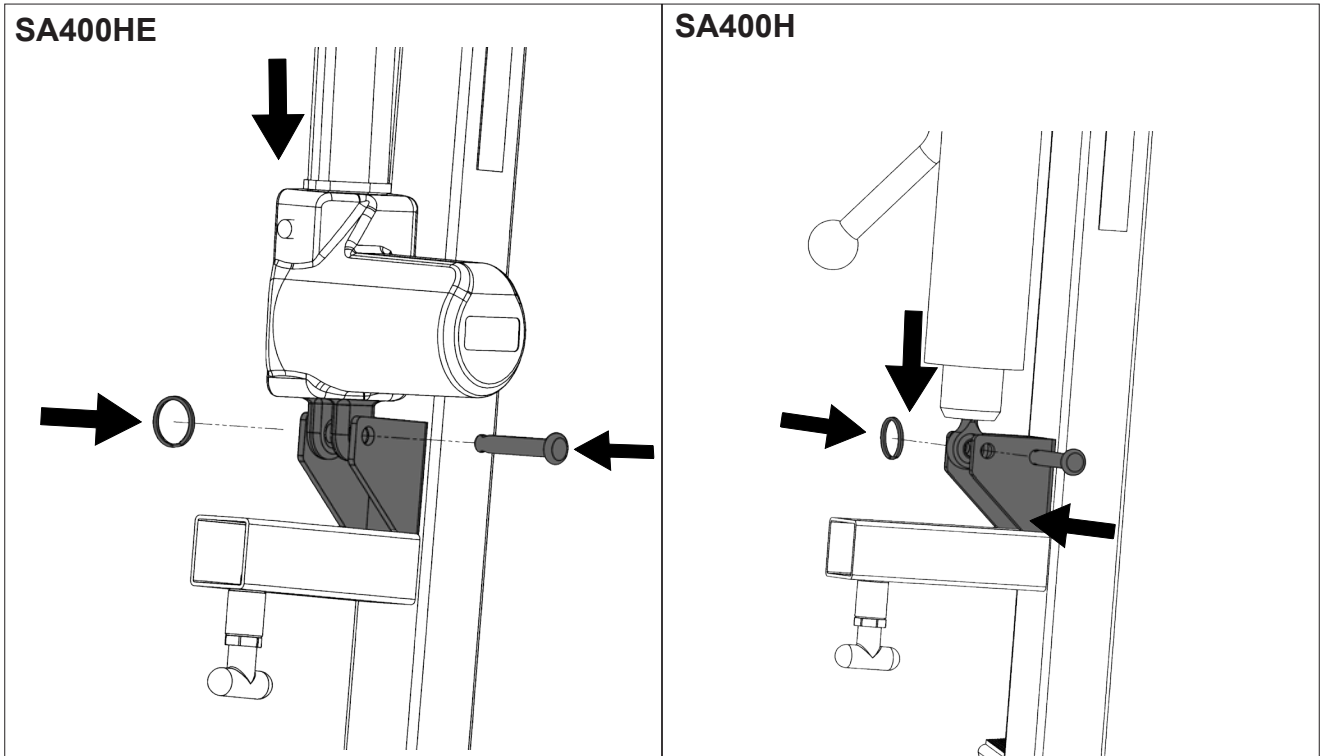
**Step 2:** Insert the mast and secure it using the bolt and threaded knob as follows.



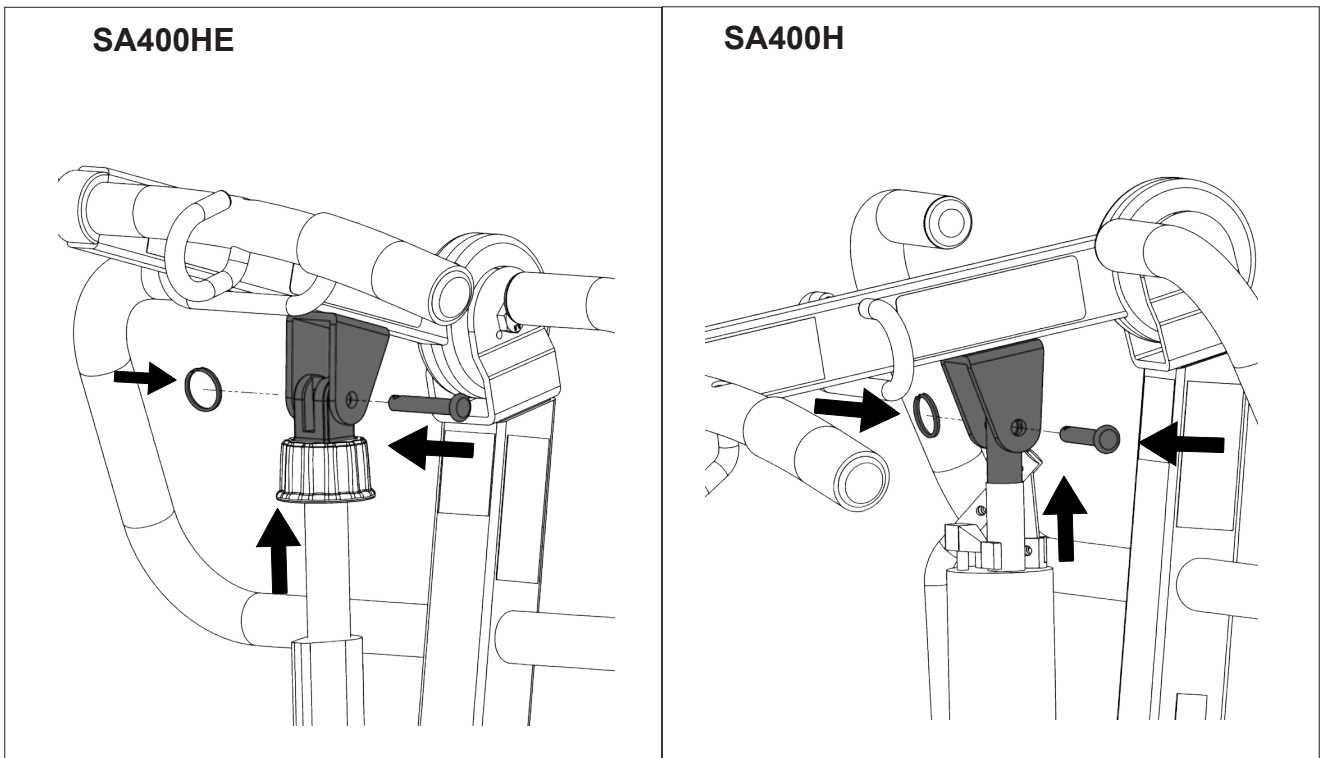
**Step 3:** Insert the boom to the mast and secure it using the bolt and threaded knob as follows.



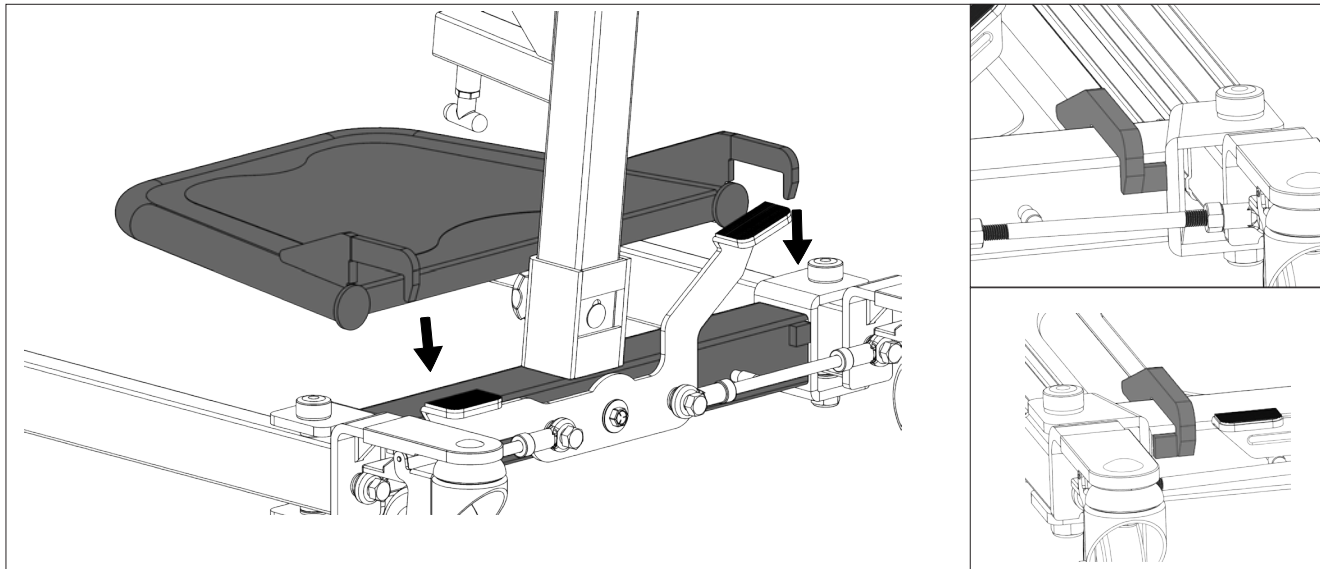
**Step 4:** Insert the lower end of the actuator (SA400HE) or the hydraulic pump (SA400H) to the bracket on the mast and secure it using a pin and retaining ring as follows.



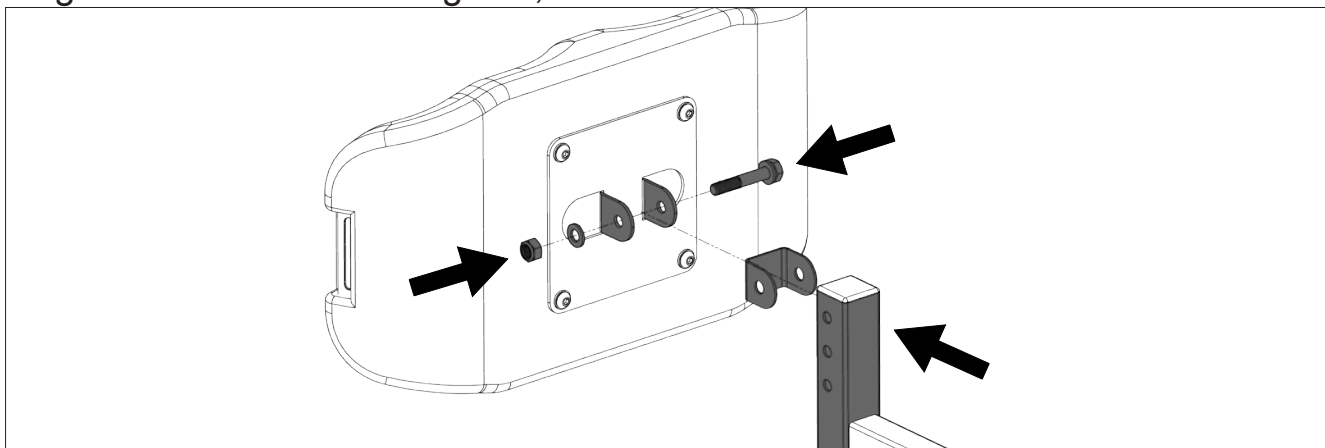
**Step 5:** Insert the upper end of the actuator (SA400HE) or the hydraulic pump (SA400H) to the bracket on the boom and secure it using a pin and retaining ring as follows.



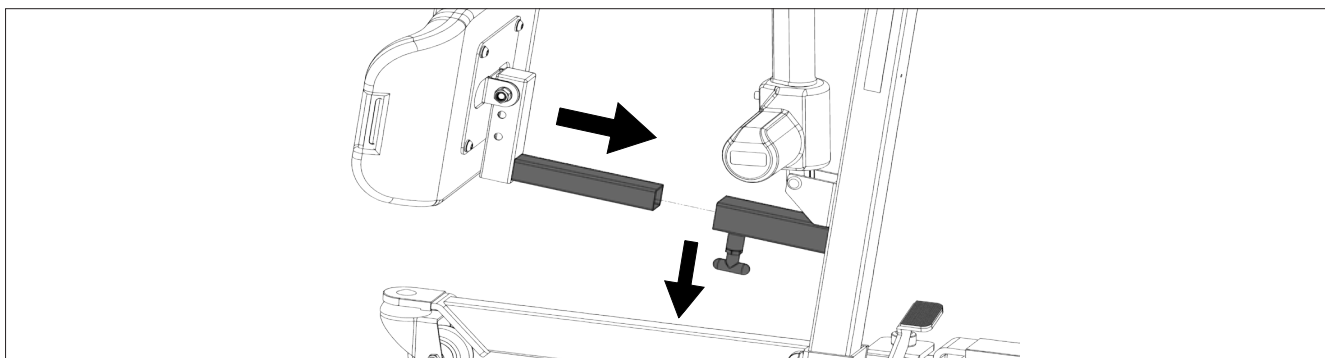
**Step 6:** Attach the footplate to the base using the two hooks by lowering it onto the top surface of the base. Make sure the hooks are sitting in between the two small blocks protruding at the back of the base.



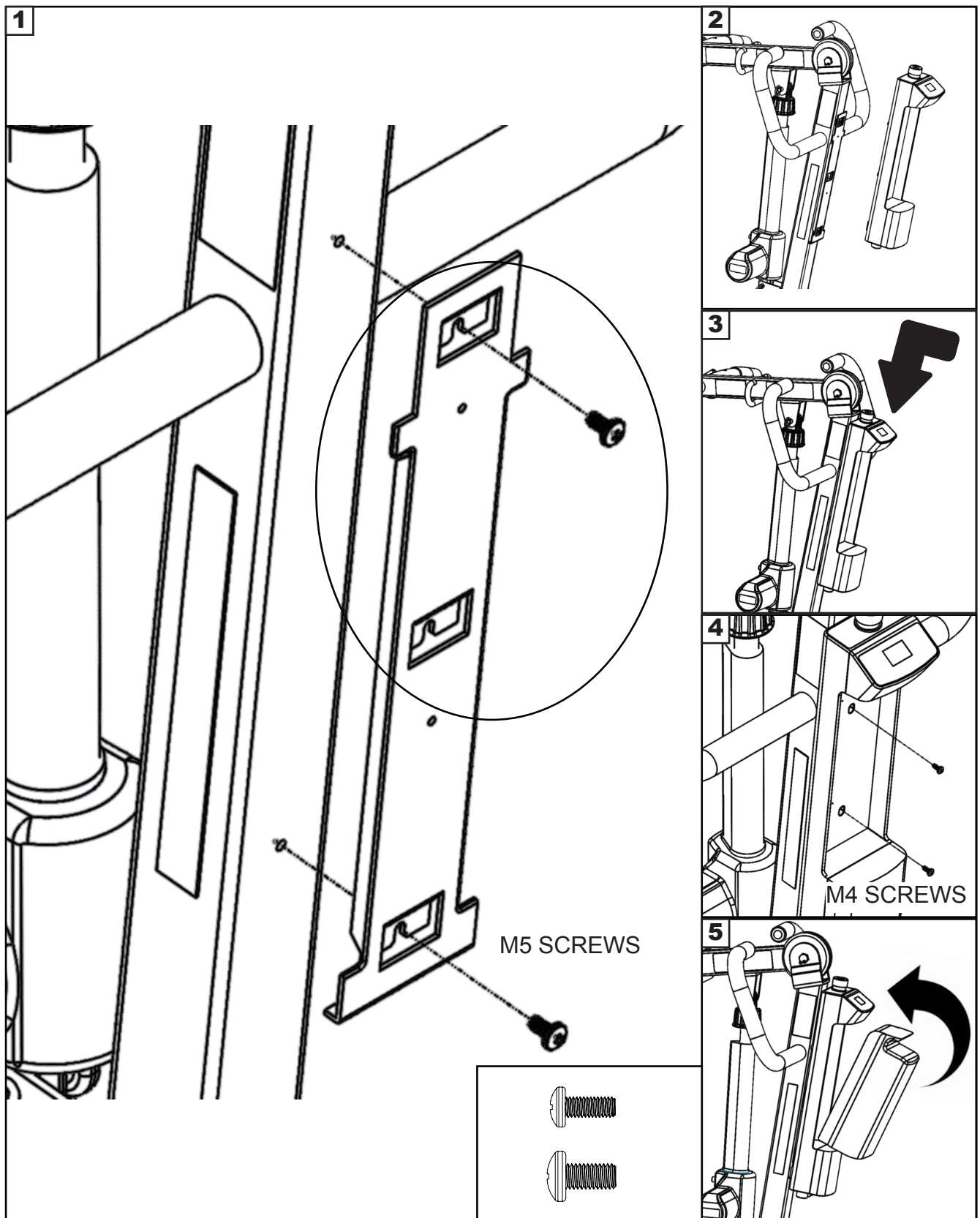
**Step 7:** Install the kneepad frame with the plastic U washer to the kneepad. Choose one of the three holes on the tube depending on the desired kneepad height. Then secure it using bolt, nut and washers as follows.



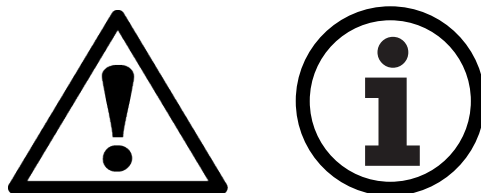
**Step 8:** Pull the depth adjustment handle down and insert the kneepad frame into the receiving tube located on the mast. Release the handle and continue sliding the kneepad frame until the handle clicks to ensure kneepad frame is locked in place.



# Control Box for SA400HE Only



# Operating Instructions



**Double check all assemblies for tightness and read operating instructions carefully prior to use.**

**For optimum performance the lift should be transported and stored in following condition range:**

- -25°C to +5°C (-13°F to 41°F), and
- +5°C to +35°C (41°F to 95°F) at a non-condensing relative humidity 0% to 90%
- +35°C to +70°C at a water vapor pressure up to 5 kPa

**For optimum performance the lift should be operated in following condition range:**

- at a temperature range of +5°C to +40°C (+41°F to +104°F)
- at a non-condensing relative humidity range of 15 % to 90 %, but not requiring a water vapor partial pressure greater than 5 kPa
- 70 kPa to 106 kPa atmospheric pressure

**The lift will not have any potential electromagnetic or other interference with other devices.**



## **PREPARATION BEFORE LIFTING**

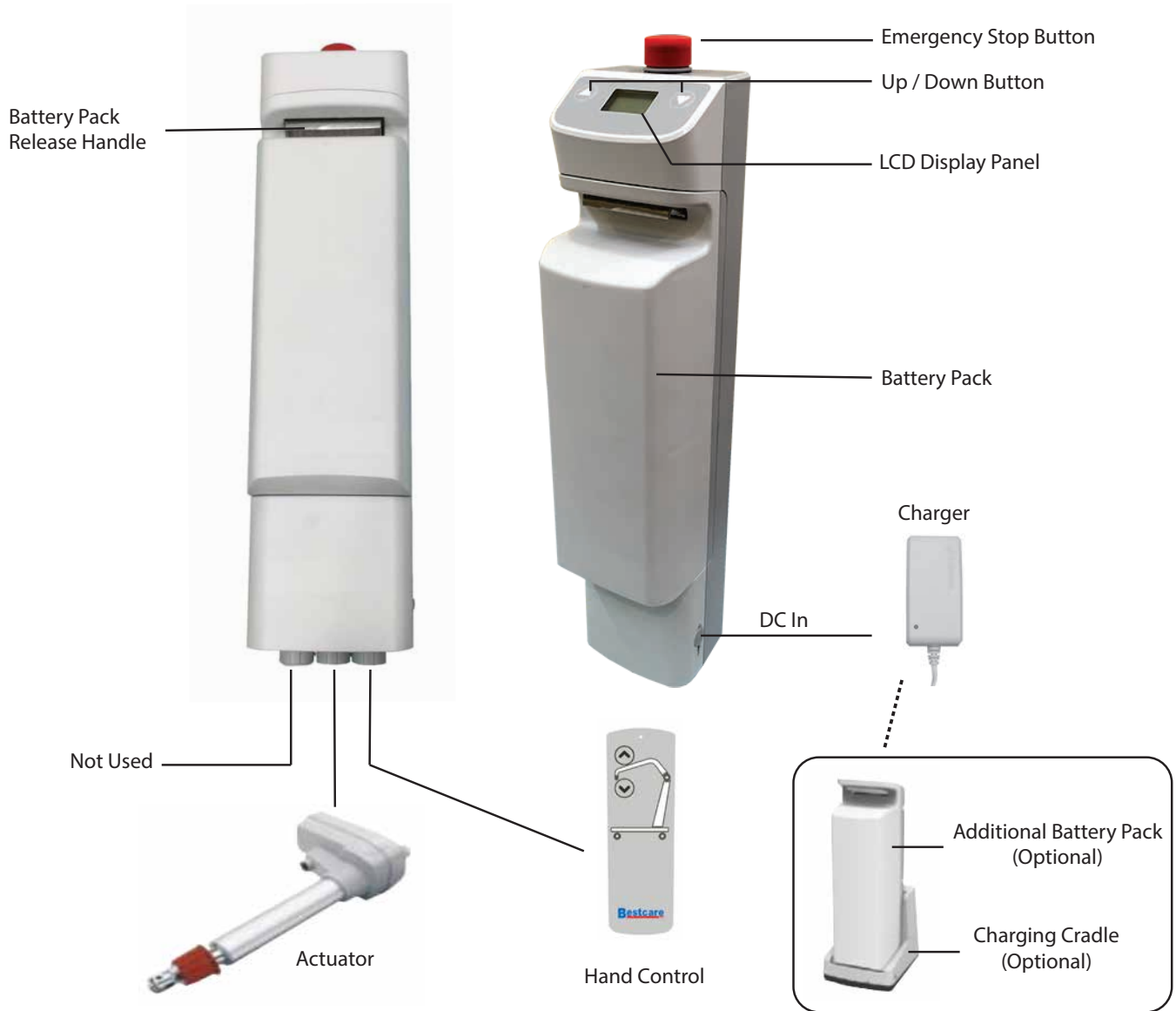
- Twist the RED EMERGENCY STOP BUTTON clockwise.
- Verify the Lifting and Lowering Functions by pressing either the UP or DOWN button on the hand control once.
- Position the base of the lift around or under the object.
- Widen the base and disengage the caster brakes.



Do not attempt to transfer a patient without prior approval of the person's nurse. Also, do not transfer without having studied the instructions and performed several practices in operating the product. Together (with the patient's doctor, nurse, or medical attendant) select a sling that is both practical and comfortable. The sling selected should be one that serves the needs of the patient, while providing the patient with optimal safety. Never interfere with the lift, unless instructed by the attendant. Have a doctor, nurse, or medical attendant (experienced in the use of the BestStand®) present during the first few times the lift is used to transfer a new user.



# Power Control Unit Overview



1. Connect Actuator as shown above.
2. Connect Hand Control as shown above.

## **⚠ WARNING!**

- Contains a long charger cord that may cause strangulation if used improperly
- Keep long charger cord out of walkway as it poses a tripping hazard
- Have the charger port on the controller facing away from the wall for easy disconnection



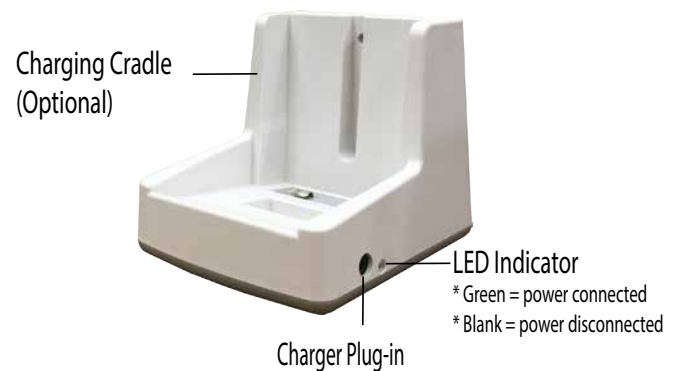
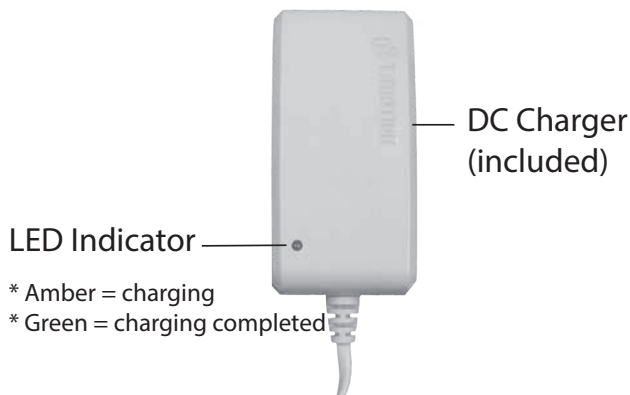
## LCD Display Panel Signs - Power ON

Turn the emergency stop button clock-wise, the LCD Display Panel will show one of the four signs below.

- The sign will display for 5 seconds.
- Then the lift will go into standby mode and the sign disappears.
- The lift is ready for use.



## Charging: DC Charger or Charging Cradle



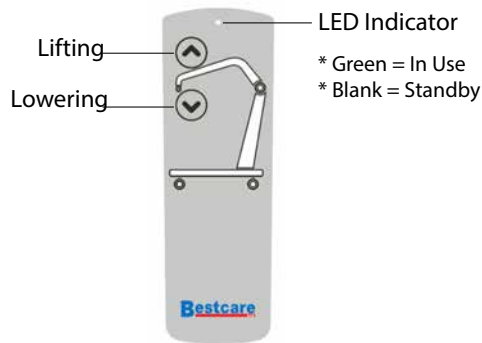
## LCD Display Panel Signs - Charging

During charging, the LCD Display Panel will show one of the four signs below.

- The DC Charger must be connected.
- The emergency stop button must be released
- The battery will not be charged if the emergency stop button is pressed in.

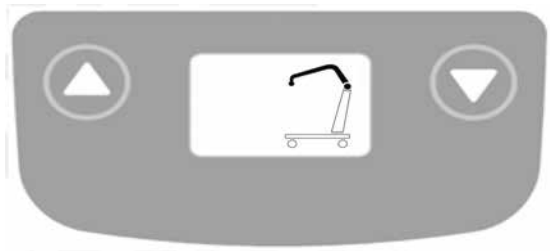


# Operating Lift: Using Hand Control



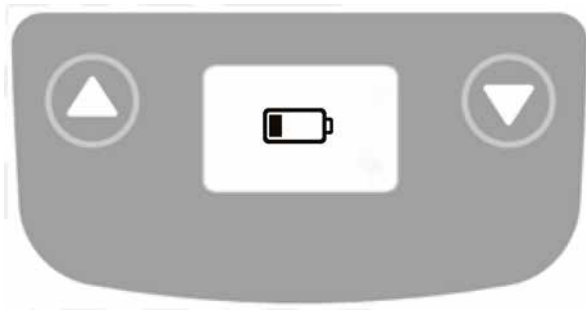
Button	Press Button	Release Button

# Operating Lift: Using LCD Display Panel



Button	Press Button	Release Button

## Warning! - Battery Low and Charging is Needed



If the battery needs to be charged, the LCD Display Panel will show a blinking low battery sign shown on the left either when the emergency stop button is released or when a button on the LCD Display Panel is pressed.

- Lift is still functioning.
- Buzzer will beep every 2 seconds.
- Battery needs to be charged immediately after use.

## Warning! - Overloaded



During lifting if the lift is overloaded, the LCD Display Panel will show the sign on the left and lifting will be deactivated immediately.

- The buzzer will beep 3 times.
- Lowering the lift by pressing the DOWN button is still allowed.
- The emergency stop button must be pressed in and then release the button before further lifting.

## Warning! - Charge Battery Immediately



If the battery is critically low, the LCD Display Panel will show the sign on the left either when the emergency stop button is released or when a button on the LCD Display Panel is pressed.

- Lift operation is deactivated.
- Battery needs to be charged immediately before further use.

# Stand Assist Hydraulic Pump Unit Operating Instruction



To raise the boom:

- Turn the release tab counter-clockwise until it stops.

- Use the handlebar to pump the piston.

To lower the boom:

- Slowly turn the release tab clockwise, stop once the boom is slowly lowering.

**⚠ The release tab controls the speed of the piston as it's lowering! This may cause serious injuries if the boom is lowered too fast!**

- Turn the release tab counter-clockwise to stop the lowering.

# Available slings compatible with Stand Assist Lift

Stand Assist Sling	
Sling Model	Sling Size
SL-SA662	M
SL-SA663	L
SL-SA664	XL

Stand Assist Buttock Strap	
Sling Model	Strap Size
SL-SA669	Standard
SL-SA669B	Bariatric

Sling Model	Sling Description
WP-SA400E-KB	Knee Belt

Stand Assist Toileting Sling	
Sling Model	Sling Size
SL-TP331	S
SL-TP332	M
SL-TP333	L
SL-TP334	XL



If the patient is pregnant or has skin conditions, consult with a doctor before use.



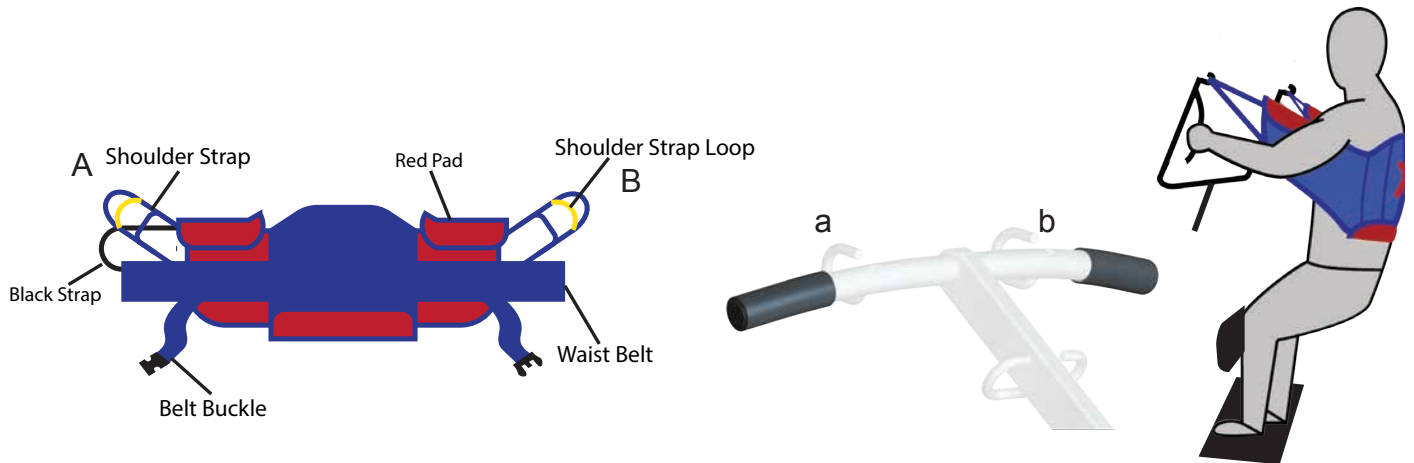
**ALWAYS** check the slings weight capacity is suitable for the patient.



All slings are type BF applied parts

# FITTING STAND ASSIST SLING

*Attach the shoulder straps to the hooks.*

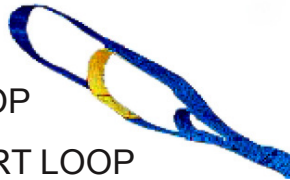


## Sling Loop Options

LONG LOOP

CENTER LOOP

SHORT LOOP



LONG LOOP - reclined position

CENTER LOOP - semi reclined

SHORT LOOP - most upright

1. Place sling behind seated patient with the 2 red pads under the arms.
2. Cross the adjustable chest belt over and fasten it securely using the buckle (adjust for comfort).
3. Cross the short black strap over and pull the left loop strap through the black strap.
4. Hook the two loop straps to the hooks ("A" to "a" and "B" to "b") on the lift boom using the same hook and loop sequence on each side.
5. The black strap should loop around both shoulder straps and will be straight across in front of patient to stabilize the sling during lifting.
6. Have patient grasp the arms of the boom and tilt head back slightly.
7. Make sure the patients feet are firmly on the platform and knees are touching the kneepads with kneecaps just above the padding.
8. Use the lift to complete the lift and pivot transfer.

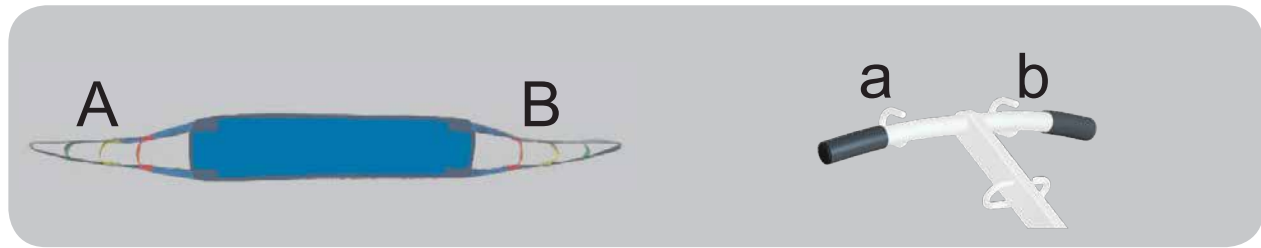


**BEFORE LIFTING THE PATIENT, PULL ON EACH SLING LOOPS TO ENSURE THE LOOP IS HOOKED ONTO THE SPREADER BAR PROPERLY**



# ***FITTING STAND ASSIST BUTTOCK STRAP***

DIAGRAM 1



1. Check sling weight capacity for the patient being lifted. Do not exceed maximum safe working load.
2. Review following procedures carefully prior to attempting lift. Call with any questions.
3. Position the sling around the buttocks of the patient.  
This sling is designed to support the middle and lower part of the body.
4. Attach the sling strap "A" to the hook "a" on the boom of the Stand Assist lift as in Diagram 1. Bringing the other side around the back of the patient's buttocks (to fit like a park swing) and attach to hook "b".
5. Position sling so it gives the greatest support to middle and lower part of the patient when being lifted.
6. Fit the Stand Assist sling following "Fitting Stand Assist Sling" instructions

**⚠** the Buttock strap **MUST** be used with the Stand Assist sling. These slings are designed to compliment one another in providing the greatest comfort and security for the patient being transferred. It is common for buttocks strap to loosen and drop during lifting

## ***FITTING KNEE BELT***



1. Pull open to Velcro.
2. Slide the Velcro through the slot. ("A" to "a" and "B" to "b")
3. Wrap the Velcro around the slot and press the Velcro together.
4. Check to make sure the belt is strapped to the kneepad
5. Repeat for the other side.
6. Make sure the pad is facing the back of your lower legs.
7. Adjust the strap on the belt buckles to fasten the knee belt and for comfort.

## ***LIFT AND TRANSFER FROM BED***

1. Fit sling as described in “Fitting Stand Assist Sling”.
2. Push lift towards patient. Open the base of the lift.
3. Position patient’s feet on the footplate and knees against the knee pad.
4. Attached the sling straps to the hooks.
5. Have the patient’s hands holding the handles. For patients who cannot hold the handles, have them hold their arms around the chest.
6. Press the “UP” button on the hand control.
7. Before the patient’s body has lifted from the bed, stop and make sure the sling is secured and patient’s knees are against the knee pad.
8. The patient should be comfortable with the pressure under the arms. If not, adjust the sling and try another loop option to release pressure.
9. Press the “UP” button until the patient’s body has completely left the bed.
10. Transfer to another object can be done at this position without the patient attending a full standing position.
11. Close the base, and pull the lift away from the bed.
12. Lower the patient to the object intended.
13. To lift patient in a standing position, continue to lift until the patient’s knees are locked in a standing position.
14. At the standing position, patient’s knees may move away from the knee pad.
15. Close the base, and pull the lift away from bed.
16. Lower the patient to the object intended.
17. Reverse the above procedures when lowering the patient to the object intended.

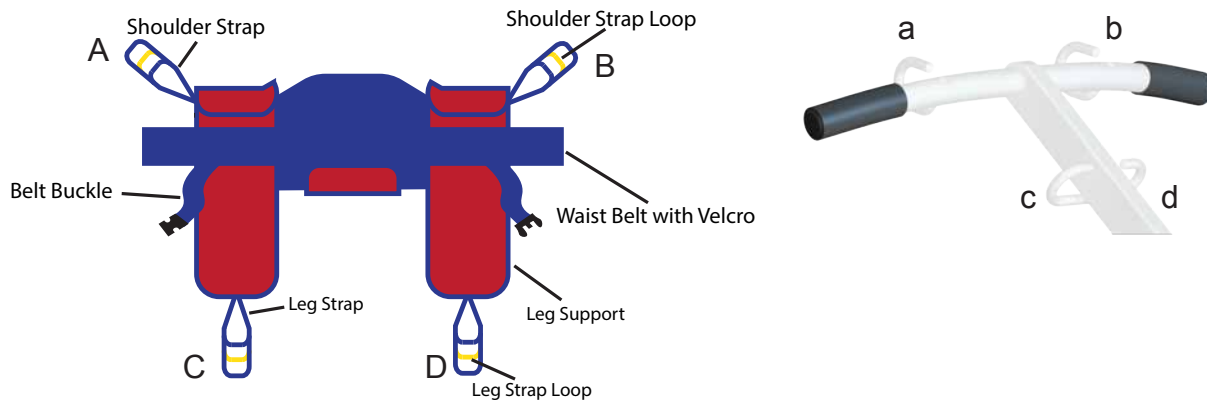
## ***LIFTING HINTS***

- Prior to beginning a lift, have the patient lean slightly back and look at a 45 degree angle to the ceiling; this help position the sling; this is recommended only at the start of lifting.
- Try the sling straps in various color positions to establish best fit.
- Always insure the same color straps on each side are attached to lift.
- Should patients have a larger girth in mid section or back side area try the optional buttock strap to help with initial lift leverage.
- Remember this lift is designed for pivot transfers and it is not necessary to lift to full upright position; as long as the patients body clears the bed or the chair and vice versa, you can move the lift and place patient in new position.

# LIFT AND TRANSFER FROM COMMODE

## BESTCARE TOILETING SLING

The Bestcare Toileting Sling is to be used with the BestStand® to lift up a patient in a sitting position; it is not meant for the patient to be standing! The Toileting Sling supports the client under the thighs and across the mid-back area



The Bestcare Toileting Sling is not suitable for patients who have involuntary movements or patients with limited postural control.

### Fitting the Bestcare Toileting Sling

1. Slide the sling down patient's back to lumbar position.
2. Draw shoulder straps under the arms and around the chest into the front.
3. Draw Velcro waist belt around waist and press together to fasten.
4. **Secure the belt using the belt buckle (adjust for comfort).**
5. Draw each leg support under the thigh.
6. Crisscross leg straps by feeding one of the leg straps through the other strap.
7. Attach shoulder straps loop to the hooks in upper ends of the boom. ("A" to "a" and "B" to "b")
8. Attach the proper leg strap loop to the hooks in the lower end of the boom. ("C" to "c" and "D" to "d")

# **i** Maintenance & Inspection

- The operator of the lift shall inspect the BestStand® before each use. Check all bolts for tightness. Make sure the base can be easily widened, and that all lift parts are in place. Make sure that casters can be turned freely, and that caster brakes can be engaged. Make certain all necessary items (i.e. slings, and wheelchairs, etc.) are ready for use.
- At least once a month, the lift should be thoroughly inspected by a person qualified to recognize any signs of wear and tear, and looseness of bolts or parts. Replace any worn parts immediately.
- To lubricate, put silicon lubricating grease on the following points when the BestStand® is placed into service and every month thereafter: Top of Mast, Spreader Hinge, and Caster Axles.
- With proper use and care, the expected lifetime of the lift is 10 years or 20,000 cycles.
- The expected lifetime of the electrical components are 3 years.
- Contact Bestcare for recycling information

	First Received	Monthly	Every 3 Months
<b>Boom &amp; Spreader Bar</b>			
Check connections between boom and spreader bar for improper connection,	●	●	
Check connections between boom and mast for improper connection, looseness or wear.	●	●	
Check the boom for bending and deflection.		●	
<b>Mast</b>			
Check the mast for bending or deflection.	●	●	
<b>Base &amp; Foot Pedal</b>			
Check bolts and nuts for looseness.	●	●	
Check casters and axle bolts for tightness.	●	●	
Check rubber parts on the casters for deflection.	●		●
Apply grease to caster ball bearings if needed.			●
Check welding joints for rust and crack.		●	●
<b>Actuator &amp; Control Box</b>			
Make sure the control box is firmly affixed to the mast.	●	●	
Make sure the actuator is secured to the boom and mast with pins and key rings.	●	●	
Make sure actuator plug into control box is not loose.	●	●	
<b>Sling &amp; Sling Hardware</b>			
Check sling for wear.	●	●	
Check sling hardware every time before use.	●	●	
<b>Lift Cleaning</b>	As Needed.	As Needed.	As Needed.

# Cleaning and Disinfecting

## Cleaning of the lift

- Use pH-neutral detergents only.
- Remove the battery from the controller
- Clean lift surfaces, control box and hand control with a damp cloth using pH-neutral detergent.
- Remove debris and hair from the casters and make sure the casters can spin and swivel freely.



- Solvents or strong liquids or abrasive cleaning products will damage the surfaces of the lift.

## Cleaning of the sling

- Check with sling label for washing condition.
- As for minor cleaning between patient uses, we recommend wipes with water-soluble soap or isopropyl alcohol.
- For slings with rigid supports, remove the plastic inserts before washing. (Look for an opening near the plastic inserts for removal)
- Machine wash warm or cold.
- Do not wash with other colors.
- Air dry or very low dryer heat.



- DO NOT USE BLEACH.
- DO NOT clean or wash disposable slings.
- REPLACE a sling when it show signs of deterioration.

## Deterioration of sling

- Contact Bestcare for “Guideline for Identifying Deteriorated Slings” if needed.

## Disinfecting of the lift and sling

- Inspect slings prior to each use for contamination from previous use.
- Use isopropyl alcohol for any disinfection purpose.



- Wash a reusable sling for serious contamination
- Replace a disposable sling for any contamination
- Reusing a contaminated sling can cause serious bacterial infection

# **Troubleshooting Guide**

The following list of encountered problems and solutions will assist you in determining what may be causing your patient lift not to function as designed. If you have a problem occurring which is not listed below please contact your dealer or technical support for help. Do not attempt to repair or replace components or parts on your lift as this may void your warranty or cause further problems that may result in patient injury. Stop using your lift immediately if it is not functioning correctly or any warning beeps are heard.

***I need to re-charge my batteries often or they fail to hold a charge when I charge them.***

- Replace the batteries or battery pack as they are at the end of their life cycle
- Batteries should be changed every 18-24 months depending on usage

***The actuator will either go up or down but not both***

- Replace your hand control as it is at the end of its life cycle
- Your control box may be malfunctioning

***There is a grinding sound inside the actuator when lifting***

- Replace your actuator as the internal gears are stripped

***The actuator stops and starts while lifting or lowering***

- Replace the batteries or battery pack as they are at the end of their life cycle

***My lift will not operate even though it shows the batteries are charged***

- Unplug the AC power cord from the control box as the lift will not work when the control box/charger is connected to AC Power.
- Check to make sure the hand control is properly inserted all the way into the control box port.
- Check to make sure the actuator plug is properly connected and inserted all the way into the control box
- Your hand control needs to be replaced as it is at the end of its life cycle

***If there is a problem you could not solve, please contact your dealer for assistance.***

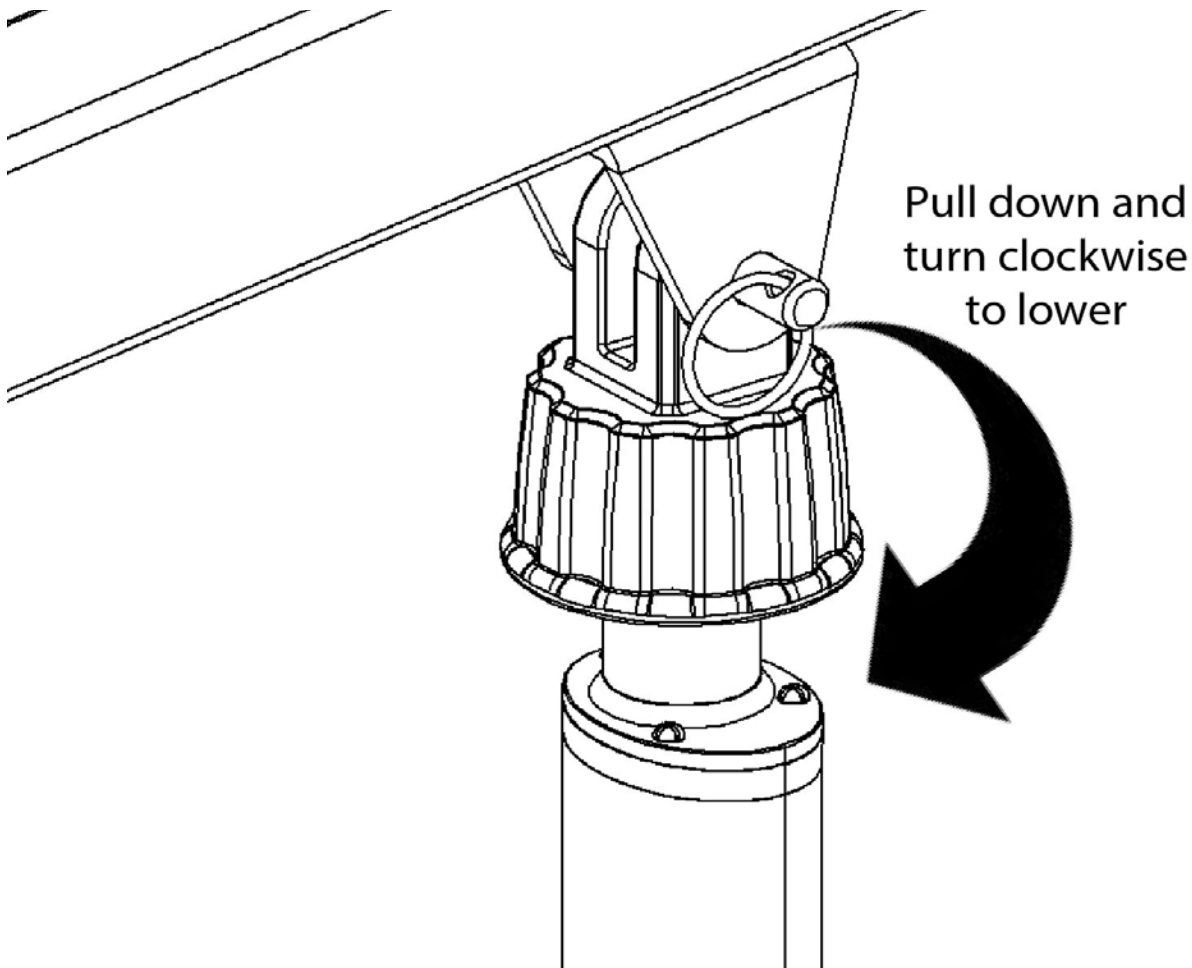


# Emergency Lowering Mechanism

Contact your dealer immediately if standard troubleshooting techniques do not correct the failure. Do not attempt to lift until all failure and safety issues have been resolved.

In case of lift failure, please follow the procedures below to safely lower the user.

The Emergency Lowering Device is located at the top of the actuator shaft. It is intended for use if the actuator or electronics fail to operate while the patient is suspended in midair. The device consists of a plastic collar ring that should be first pulled down and turned clockwise continually until the patient has been lowered.



**NOTE:**  
THE EMERGENCY LOWERING DEVICE IS INTENDED FOR USE DURING LIFT FAILURE. THIS DEVICE WILL ALLOW LOWERING OF PATIENTS ONLY. PLEASE CONTACT YOUR DEALER IMMEDIATELY IN CASE OF FAILURE.



## WARRANTY POLICY

Bestcare offers a limited warranty on all patient lifts, slings and accessories to be free of defects in workmanship and product performance. This warranty extends only to the original purchaser and is non-transferable. All warranty claims must be submitted by the authorized dealer or distributor who originally sold the product with proper proof of sale and serial number where applicable. Prior Return Authorization (RA) from Bestcare is required for all warranty replacements. Bestcare reserves the right to repair or replace only defective parts or accessories in lieu of a complete new patient lift. The repaired or replacement part shall be warranted for a period equal to the remainder of the warranty period of the defective part.

Bestcare does not provide advance replacements for warranty claims. For situations where an end user requires a replacement in advance and before a warranty item can be returned, dealer or distributor must purchase the replacement at full cost. All freight charges for the replacement are the sole responsibility of the dealer or distributor. When end user returns warranty item and item proves to be defective, Bestcare will issue full credit for the replacement less freight charges.

Product returned without RA number clearly marked on the package or product returned later than 30 days after authorization will be refused and returned at sender's expense. Final disposition of warranty claims will be determined at the sole discretion of Bestcare. Warranty claims will be denied for any of the following: product abuse or misuse, accidental or malicious damage, improper installation, product used with parts, components or accessories with quality or specifications incompatible with product, adulterated product, user neglect, failure to maintain and service product as specified in the owner's manual or care tag, serial number removed or defaced, or normal wear and tear.

Bestcare warrants the following products and components beginning from the purchase invoice date for the specified time period:

<b>WARRANTY PERIOD</b>	<b>PRODUCT OR COMPONENT</b>
Three (3) Years	Patient lift frame or spreader bar
Two (2) Years	Actuator, control box, pendant, charger, weigh scale, Stand Aids ( all components of STA400 & STA450), or casters excluding normal tread wear
One (1) Year	Battery or hydraulic pump
Six (6) Months	Reusable fabric slings

Bestcare Single Patient Specific slings are designed for limited use with one patient and may not be laundered. Bestcare will replace any disposable sling found to have a manufacturing defect. Normal wear and tear will not be covered under warranty.

This warranty expressly excludes wearable components including but not limited to foam parts and caster tread. Furthermore, this warranty is void and null for product that has not been purchased or paid for in full.

## RETURN GOODS POLICY

Patient lifts may not be returned unless the wrong lift is shipped in error by Bestcare or the lift is heavily damaged or defective out of the box. For all other items, purchaser may request a RA for purchased goods within thirty (30) days of purchase invoice date. All returns must be received by Bestcare no later than thirty (30) days after authorization or the RA will be voided. Return package must be clearly marked with the RA number or the package may be refused and returned at sender's expense. Returns are subject to a minimum restocking fee of 15% or more depending on the condition of the returned item. Patient lifts are subject to a minimum restocking fee of 25% or more. Please note that patient lifts being returned must be in the original carton with all parts, components and packing materials included. Failure to comply with this requirement will incur higher restocking fees or a rejection of the return. Slings, parts and accessories may only be returned if they have not been used. There are no exceptions to this provision.

All freight charges are the sole responsibility of purchaser when any of the following occurs: (i) ordering error where an incorrect item is shipped in accordance with purchase order, (ii) an order is canceled while in transit or (iii) delivery is refused by customer.

Bestcare reserves the right to issue credit amounts based on strict adherence to this policy.

# Notes

# Bestcare

L.L.C.



Bestcare LLC  
2920 Pacific Drive  
Norcross, GA 30071

Ver 2020.02

[www.bestcarellc.com](http://www.bestcarellc.com) | © 2019 Bestcare LLC