

**SWL: 570kg/1250lbs**

BariSling has been designed for lifting persons weighing 200 kg or more. It can be used in combination with mobile or stationary (overhead) lifts, with a four-point slingbar or with a BariTurn. BariSling has six suspension points. It has two slingbar loops at the back and four below, under the legs, to distribute pressure comfortably and safely.

SystemRoMedic includes a wide range of functional, comfortable, high-quality slings that can be adapted for different types of lifting and for patients with different needs. The slings are available in several different materials and in sizes. All models are safe and very easy to use. The choice of model and material depends on the patient's needs and the transfer situation.



## Functional inspection

### Visual and mechanical inspection

Check the condition and function of the sling regularly. Always inspect the product after laundering. Check to ensure that seams and material are free from damage. Check to ensure that fabric is not worn or faded. Apply load to the device and check to ensure that clasps, handles, etc. withstand heavy load. If there are signs of wear, the product must be discarded.



## Always read the manual

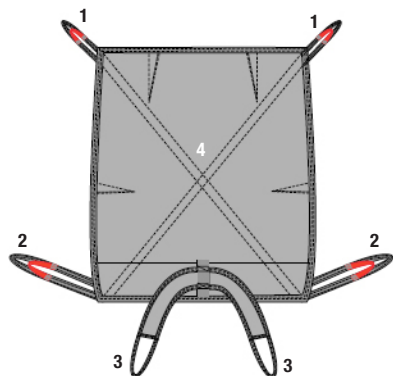
Always read the manuals for all assistive devices used during a transfer.

Keep the manual where it is accessible to users of the product.

Do not leave the patient unattended during a transfer situation.

To prevent discomfort and the risk of the patient sliding out of the sling, trial fit the sling carefully. First, apply the sling's back loops to the slingbar, and then apply the leg support loops. Use a slingbar that has been tested.

## BariSling product description



BariSling is designed as a full sling without separate leg supports. It has six slingbar loops to distribute pressure comfortably and safely: two at the back, two below on the outside of the legs, and two between the thighs.

### **BariSling consists of:**

1. Rear slingbar loops
2. Front slingbar loops
3. Leg harness with slingbar loops
4. Back and seat section

## Using BariSling

### **Application of BariSling on the patient, horizontal position in bed:**

Ideally, the patient should be able to turn him/herself. If this is not possible, we recommend the use of assistive devices for turning, such as SafeHandlingSheet, TopSheet or other approved assistive devices for turning.

Place the sling so that the midsection is aligned with the patient's spine and the lower edge is about 5-10 cm above the hollow of the knee. Place the edge of the sling as far in under the patient as possible.

Turn the patient back, so that the sling can be pulled forward and adjusted. The leg supports are then drawn up between the knees. Check to ensure that the sling is evenly distributed on both sides.

If possible, raise the head of the bed before lifting.

### **Application of BariSling on the patient, seated position at the bedside:**

The patient leans to one side of the bed and the BariSling is placed centred under the seat, as far back under the patient as possible, with the mid-section under the crotch.

Place the sling so that the mid-section is aligned with the patient's spine and the lower edge is about 5-10 cm above the hollow of the knee. Place the edge of the sling as far in under the patient as possible.

When the BariSling is correctly positioned, the patient sits up again and turns to the other side, so that the sling can be pulled forward and adjusted. The leg supports are then drawn up between the knees. Check to ensure that the sling is evenly distributed on both sides.

### **Application on a four-point slingbar:**

When lifting with a mobile or overhead lift unit, the use of a four-point slingbar is recommended. First, apply the rear loops to the wider side of the slingbar, and then the front loops to the narrower side.

### **Application on BariTurn:**

BariTurn is a turning plate that can be used in combination with two lift units to assist lifting while turning.

First, connect the four lower loops to the slingbar on one lift unit, and then connect the two rear loops to the slingbar on the other lift unit.

### **Lifting:**

Prepare the patient for lifting; explain what is about to happen. Never leave the patient unattended during a transfer situation and always be attentive to the patient's signals. Begin lifting. Stop lifting when all lift straps are taut and check to ensure that everything is as it should be before continuing. Stop lifting if the patient is uncomfortable.

The sling is left in the chair under the patient.

## Removing BariSling

### **Horizontal position in bed**

Lower the patient to the bed and disconnect the lift straps from the slingbar. The patient turns first to one side of the bed, so that the BariSling can be tucked in under the patient's back. The patient then turns to the other side and the BariSling is removed.

## Safe working load

Different products on the same lift system (lift unit, slingbar, sling, scales and other lifting accessories) may have different allowable safe working loads. The lowest allowable safe working load always determines the safe working load of the assembled system. Always check the safe working loads for the lift and accessories before use. Contact your dealer if you have any questions.

Product	Article number	Recommended patient weight	Max. weight
BariSling XXXL	47001010	200-570kg/440-1250lbs	570kg/1250lbs

**NOTE!** Recommended for use with four-point slingbar or BariTurn.

## Care of the product:

Read the product label.



Do not use rinsing agent.  
To prolong product life, avoid  
tumble-drying.

## NOTE!

Lifting and transferring a patient always involves a degree of risk. Always make sure that the patient's health permits lifting. When in doubt, do not proceed with lifting. The caregiver is always responsible for the patient's safety.

Contact your local distributor if you have any questions about the product and its use. See [www.handicare.com](http://www.handicare.com) for a complete list of distributors. Always make sure that you have the right version of the manual. The most recent editions of manuals are available for downloading from our website, [www.handicare.com](http://www.handicare.com).

Handicare AB

Veddestav. 15. Box 640 Tel: +46 (0)8-557 62 200

SE-175 27 Järfälla Fax: +46 (0)8-557 62 299

SWE DEN

Internet: [www.handicare.com](http://www.handicare.com)

E-mail: [info@handicare.se](mailto:info@handicare.se)

