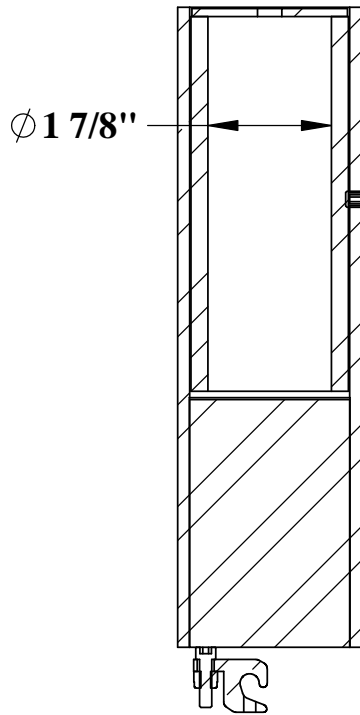
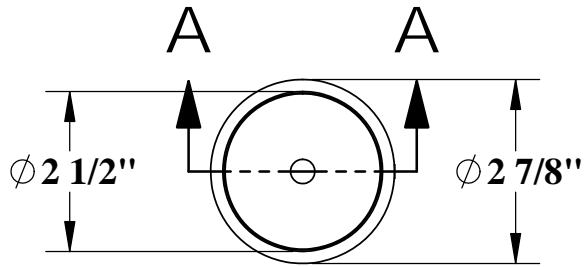
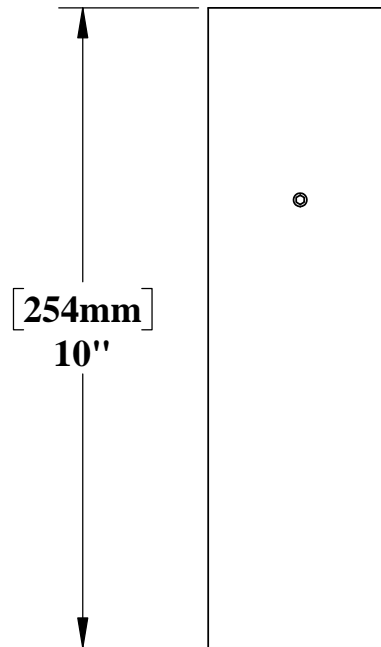


EZ & POWER EZ 10" ANCHOR



SECTION A-A



GROUNDING LUG

SPECIFICATIONS:

RATED CAPACITY: 400LBS [181kg]

MAXIMUM SETBACK: 20" [508mm]



9889 GARRYMORE LANE
 MISSOULA, MT 59808
 (406) 549-0769
 FAX (406) 549-2602

NOTE:
 *SPECIFICATIONS ARE SUBJECT TO CHANGE WITHOUT NOTICE

PRODUCT:		EZ 10" ANCHOR	
PART #:		F-30220	
SCALE:	1:3	DATE:	6/12/2017
DRAWN BY:	KR	REVISION:	A