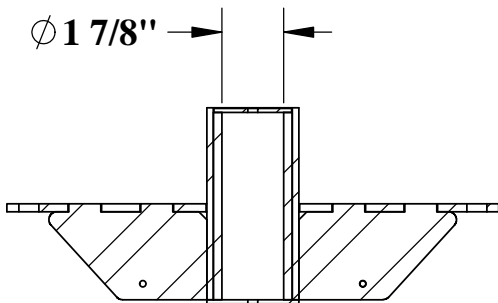
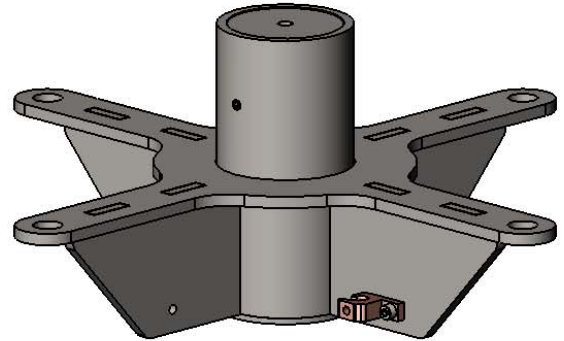
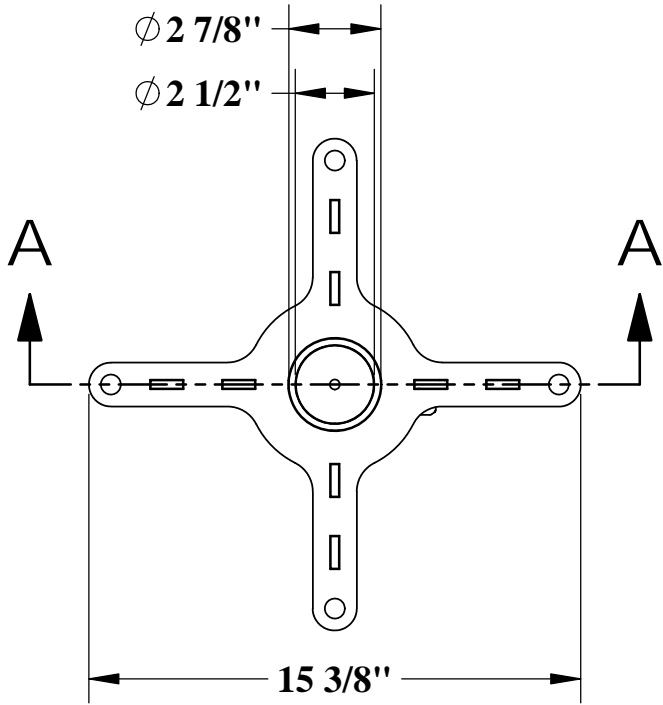
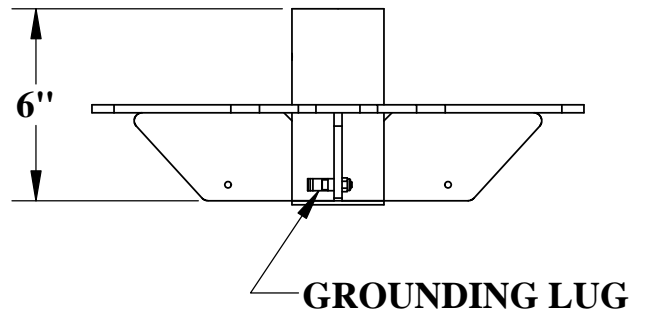


EZ & POWER EZ WOOD DECK



SECTION A-A



SPECIFICATIONS:

RATED CAPACITY: 400LBS [181kg]

MAXIMUM SETBACK: 20" [508mm]



9889 GARRYMORE LANE
 MISSOULA, MT 59808
 (406) 549-0769
 FAX (406) 549-2602

NOTE:
 *SPECIFICATIONS ARE SUBJECT TO CHANGE WITHOUT NOTICE

PRODUCT: EZ WOOD DECK ANCHOR	
PART #: F-30600	
SCALE: 1:6	DATE: 6/12/2017
DRAWN BY: KR	REVISION: A