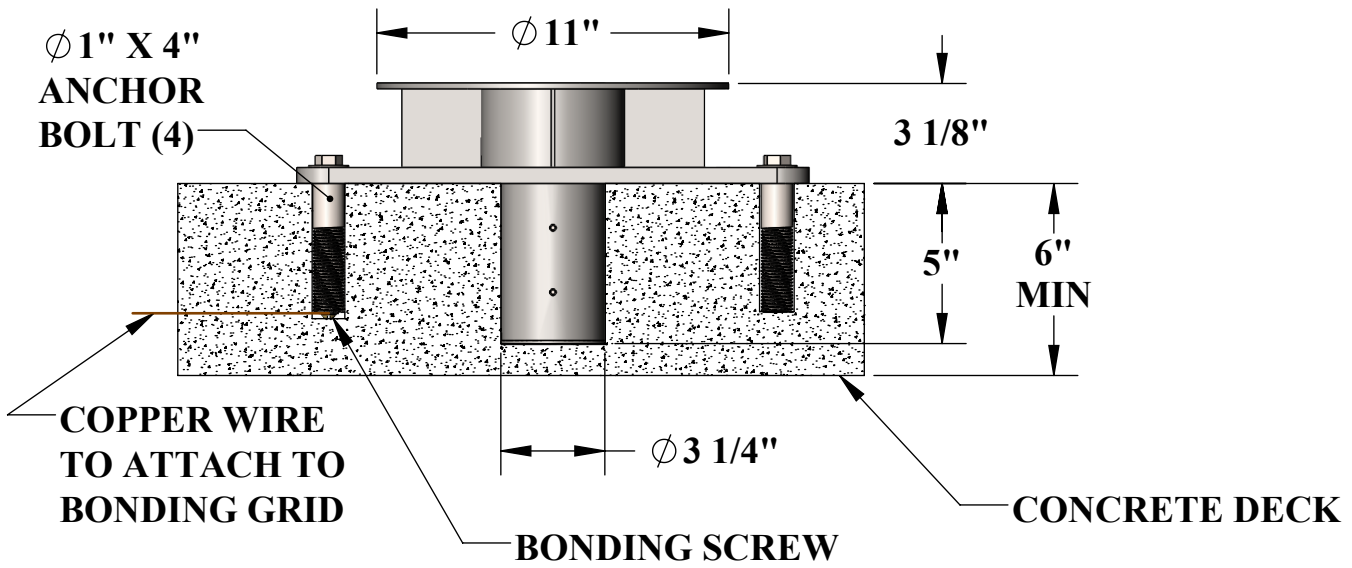
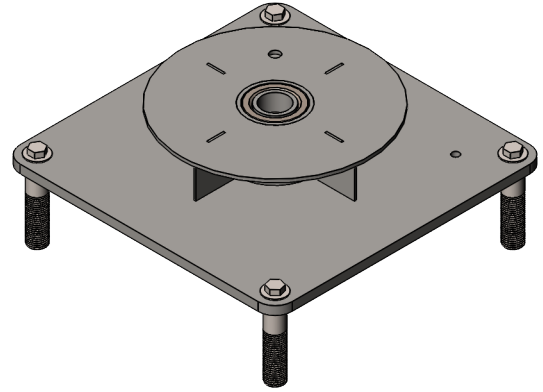
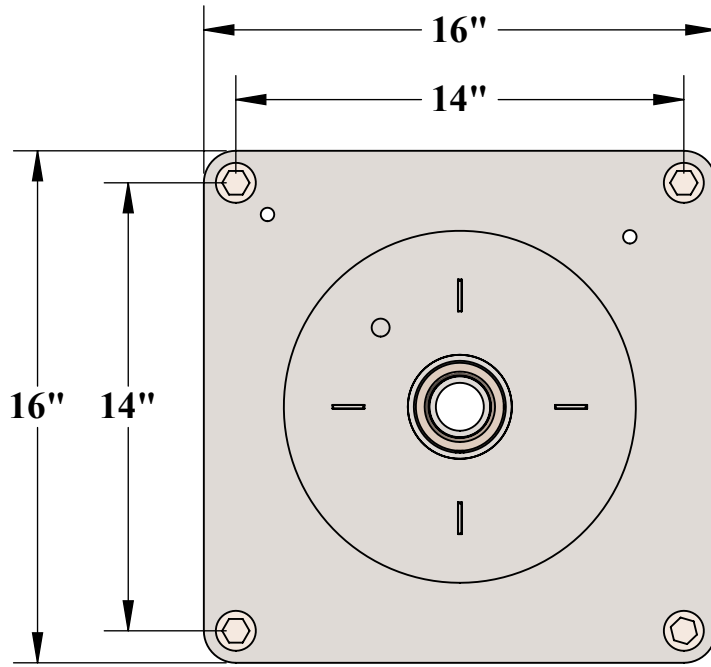


SCOUT & MIGHTY DECK ANCHOR



SPECIFICATIONS:

THE AQUA CREEK PRODUCTS' SCOUT & MIGHTY DECK ANCHOR SHALL BE DESIGNED TO BE INSTALLED IN A MINIMUM 6" THICK CONCRETE DECK. IT SHALL BE ANCHORED WITH FOUR (4) $\phi 1" \times 4"$ LONG ANCHOR BOLTS AT 14" OC. THE DECK ANCHOR SHALL BE MADE ENTIRELY FROM TYPE 304 STAINLESS STEEL, WITH A BRONZE ANCHOR SLEEVE. THE DECK ANCHOR SHALL BE SUPPLIED WITH FOUR (4) ANCHOR BOLTS AND MOUNTING HARDWARE. THE SCOUT & MIGHTY DECK ANCHOR SHALL CARRY A LIMITED LIFETIME WARRANTY.



9889 GARRYMORE LANE
 MISSOULA, MT 59808
 (406) 549-0769
 FAX (406) 549-2602

NOTE:
 *SPECIFICATIONS ARE SUBJECT TO CHANGE WITHOUT NOTICE

PRODUCT:		SHALLOW DECK ANCHOR	
PART #:		F-77SSA	
SCALE:	1:6	DATE:	8/26/2019
DRAWN BY:	KR	REVISION:	02