

600051 Pediatric Transport Stretcher



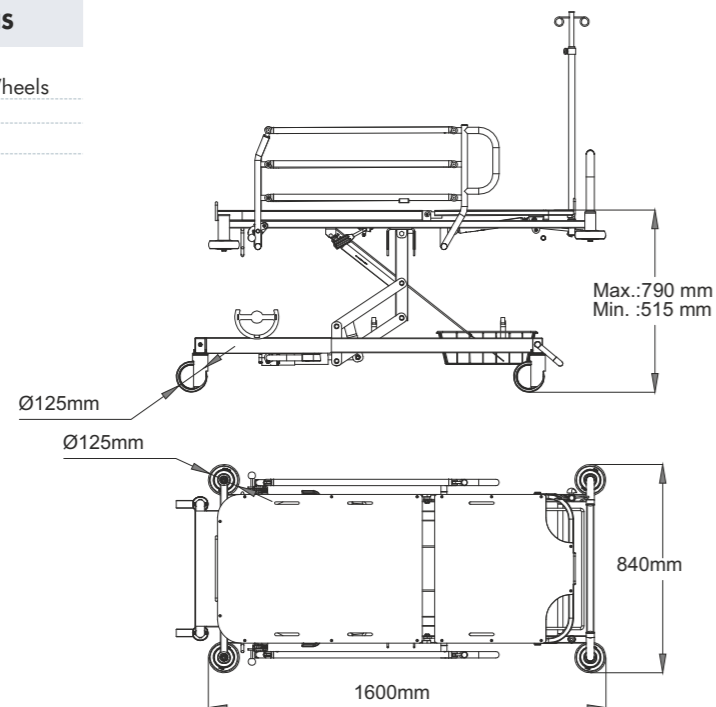
- 1-) Foot Control Pedals
- 2-) 360° Movable Castors
- 3-) Central Brake Systems
- 4-) Angle Gauge
- 5-) Side Rail Open / Close
- 6-) Metal Bed Surfaces
- 7-) Oxygen Cylinder Holder
- 8-) Urine Bag Holders
- 9-) Protection Bumpers
- 10-) Height Adjustable Iv Pole
- 11-) Accessories Slot
- 12-) Towel Rack
- 13-) Multi Purpose Basket

TECHNICAL SPECIFICATIONS

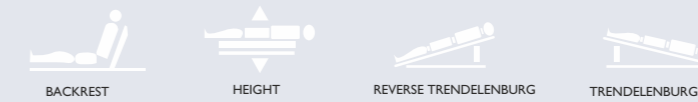
- Height Adjustment With Hydraulic Lift
- Trendelenburg / Reverse Trendelenburg Adjustment With Damper System
- Headrest Adjustment With Damper System
- Electrostatic Powder Coated Folding, Lockable Metallic Side Rails
- Metal Bed Surfaces
- 360° Movable Castors With Central Brake Systems (125 mm)
- Oxygen Cylinder Holder
- Height Adjustable Iv Pole
- Antibacterial And Water Proof Mattress
- Plastic Protection Bumpers
- Multi Purpose Basket
- Towel Rack
- Accessories Slot
- Urine Bag Holders
- Belt

EXPORT OPTIONS

- 200 Mm Central Brake Wheels
- Defibrillator Table
- Leg Holder Set 2 Pcs



Product Images May Vary According to Selected Accessories and Options.



Brake System



Foot Control Pedals

Plastic Protection Bumpers



Multi Purpose Basket

