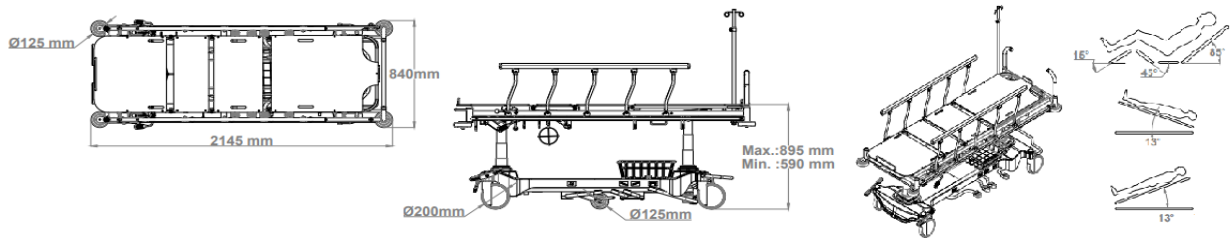


PRODUCT NAME	General Transport Stretcher
PRODUCT CODE	600052
PRODUCT PICTURE	
	

TECHNICAL DRAWING	
	

TECHNICAL FEATURES	
MOVEMENTS 1	BACKREST MOVEMENT BY GAS SPRING MECHANISM
MOVEMENTS 2	HEIGHT MOVEMENT BY HYDROLIC LIFT MECHANISM
MOVEMENTS 3	LEG ADJUSTMENT with SPRING MECHANISM - 45 °
MOVEMENTS 4	TRENDELENBURG/REVERSE TRENDELENBURG ADJUSTMENTS BY HYDRAULIC LIFTS
BACKREST MOVEMENT	85 DEGREE
TRENDELENBURG & REVERSE TRENDELENBURG	TRENDELENBURG : 13° REVERSE TRENDELENBURG : 13° STRETCHER BED SURFACE HIGHT (WITHOUT MATTRESS) : MAX : 910 mm ve MIN : 600 mm
SIDE RAIL STRUCTURE	PRODUCED FROM CHROM / CHROMED,METAL AND ALUMINIUM MATERIAL, LOCKABLE SIDE RAILS. FOR SAFE USE OF THE STRETCHER, THE STRETCHER HAS HORIZONTALLY FOLDING SIDE SAILS PROTECTORS. THE UPPER PART OF THE SIDE RAILS ARE MADE OF ALUMINUM, THE INTERCONNECTION POINTS (5 Pcs - 19 mm) ARE MADE OF STAINLESS STEAL MATERIAL AND THE JOINTS ARE MADE OF PLASTIC MATERIAL.
METAL STRUCTURE	THICKNESS FOR BOX PROFILE : 1,2 - 2,00 mm, FOR PIPE 1,2 - 2,00 mm. THE MAIN CARRIER PROFILES OF THE LOWER FRAME OF THE CHAIR ARE 30 x 30 mm, 50 x 50 mm BOX PROFILE.THE TOP FRAME MAIN CARRIER PROFILES OF THE SORTER ARE 40 x 20 mm, 50 x 30 mm RECTANGULAR PROFILE AND 34 mm DIAMETER PIPE.
METAL PAINTING	ELECTROSTATIC POWDER COATING.
X-RAY CASSETTE HOLDER	FULL LENGTH X-RAY CASSETTE HOLDER WITH STOPPER MECHANISM. STRETCHER HAVE FULL X-RAY MECHANISIM with SLIDING SYSTEM UNDER THE TOP of THE STRETCHER. THERE IS AN EASY ACCESS TO THE FOOT TO INSERT THE X-RAY CASSETTE.
OXYGEN TUBE HOLDER	OXYGEN TUBE HOLDER ON BOTTOM FRAME OF STRETCHER
WIRE BASKET	A WIRE BASKET (400*600 mm) FOR BELONGINGS OF THE PATIENT. THERE IS A BASKET ATTACHED TO THE BOTTOM OF THE STRETCHER. THE BASKET CAN BE EASILY REMOVED FROM WHEREVER IT IS DESIRED.
CASTORS	DIAMETER : 200 mm.
5.CASTOR	YES. DIAMETER : 125 mm
BUMPERS	THERE ARE 4 PLASTIC BUMPERS WITH A DIAMETER OF 125 (± 10) MM IN ORDER TO PROTECT AGAINST THE COLLISION ON THE 4 CORNERS OF THE STRETCHER.
LOCKING OF CASTORS	CENTRAL LOCKING SYSTEM, 1 DIRECTIONAL, 3 FREE CASTORS. STRETCHER HAVE CENTRAL BRAKE SYSTEM and CAN BE FIXED AT THE DESIRED POINT. THERE ARE 4 FULLY LOCKED WHEELS, ONE of WHICH IS DIRECTIONAL ANTI STATIC WHEEL.
IV POLE	YES, METAL, 1,2 mm, CHROMED, 2 HOOKS. THE LEGEND HAS A SERUM HANGER WITH TWO HOOKS IN HEIGHT-ADJUSTABLE STAINLESS STEEL. THE PART THAT ADJUSTS THE HEIGHT OF THE SERUM AND THE COMPRESSION LINE ARE MADE OF PLASTIC MATERIAL. IV POLE CAN BE USE 4 CORNER of THE STRETCHERS

SAFETY LOAD CAPACITY	250 Kg
PROTECTION BUMPERS	4 PCS, DIAMETERI : 125 mm
STRETCHER DIMENSIONS (BUMPER TO BUMPER)	W : 840 mm, L : 2145 mm
BEARING SURFACE DIMENSIONS	600 mm x 1955 mm
BACK PART DIMENSIONS	600 mm x 760 mm
HEIGHT ADJUSTMENT	HEIGHT MIN : 590 mm, MAX : 895 mm
GUARANTEE	2 YEARS WARRANTY
CERTIFICATES	TSE, TUV, TUV THURINGEN, IQNET, ISO 9001:2008, TS 12559, TS 12487, TS 13005, TS EN ISO 13485, TS EN IEC 17025, ISO 14001, OHSAS 18001CE, FDA
MATTRESS	600 x 1925 x 80 mm 36 DENSITY, WATER RESISTANT, FIRE RETARDANT MATTRESS (UPHOLSTERY). THE MATTRESS ON THE STRETCHER IS EASILY REMOVABLE, ERASABLE AND HAS A THICKNESS of APPROXIMATELY 80 mm AND MEASURES 600 x 1925.

STANDART SPECIFICATION	
<ul style="list-style-type: none"> • BACKREST, FOOTREST ADJUSTMENT. • 4 PART STRETCHER SURFACE. • STRETCHER HEIGHT ADJUSTMENT AND TRENDELEBURG / REVERSE TRENDELEBURG MOVEMENT BY THE HYDRAULIC LIFTS • LEG ADJUSTMENT with SPRING MECHANISM • INCLINED BACKREST • 2 PIECES METAL LOCKED AND HIDABLE SIDE RAILS • HYGENIC DESIGN HEAD AND FOOT ARMS MADE FROM METAL MATERIAL. • MECHANICAL CPR (FLAT POSITION OF BED BACKREST FOR EMERGENCY) • 360° MOVABLE CENTRAL LOCKING AND LOCAL AND IMPORT CASTORS PROVIDING LINEAR DIRECTIONAL MOVEMENT (200 mm) • PLASTIC PROTECTION BUMPERS • X-RAY • 5.CASTOR MOVEMENT EASINESS TO DESIRED DIRECTIONS • REQUIREMENT BASKET • URINE BAG HOLDER • BELT HOOK • ACCESSORIES SLOTS • HEIGHT ADJUSTING IV POLE • ELECTROSTATIC POWDER COATING • 32 DENSITY MATTRESS. 	

OPTIONS	
HEAD RESTRAINT SYSTEM	FULL HANDLE on FOOT PART
DEFIBLATOR TABLE	