



KEY FEATURES

- o Locking casters
- o Extendable pull-out step for easy access
- o Full recline for ultimate comfort
- o 4" dual thermoplastic casters
- o Wall-hugger mechanism (infinite recline positions)
- o Quick-release seat
- o Swing-away arms that open up to 180 degrees
- o Fold-away table
- o Push handle for maneuverability
- o Trendelenburg
- o IV Pole

TECHNICAL SPECIFICATIONS

Weight capacity	:350 lbs.
Back height (from floor/seat)	:47,24" / 23,6"
Overall width	:31,89"
Seat width	:24,4"
Arm height	:27,9"
Seat height/depth	:23,62" /22,8"
Upright overall depth (w/handle)	:29,92"
Trendelenburg depth	:72,83"
Thermoplastic casters	:4"

DESCRIPTIONS

Introducing the Pedia Pals 600061 Series Aura Dialysis & Chemotherapy Medical Recliner Chair, a pinnacle of comfort and functionality for medical settings. This recliner seamlessly combines innovation with user-friendly design to ensure a stress-free experience for both patients and caregivers. The footrest, complete with a convenient caster, facilitates easy transportation, and with a simple push, it securely locks into place. The boot tray, effortlessly lifted and released on each side, enhances accessibility for caregivers, simplifying tasks such as cleaning and repositioning.

One standout feature is the user-friendly seat removal mechanism, marked by orange knobs under the cushion. With a quick unscrewing motion, the seat can be effortlessly detached and replaced, ensuring efficient maintenance. The inclusion of locking casters provides stability, and the CPR lever allows manual adjustments for patients in seated and CPR positions. The versatility of this recliner is further showcased through various positions - from a comfortable TV position to a full recline and even Trendelenburg. What sets it apart is the remarkable proximity it maintains to walls, making it an ideal choice for space-conscious environments.

COLOR OPTIONS



Aura Dialysis Recliner Chair 600061



Retractable foot tray



Release footrest with side lever



4" dual thermoplastic casters



Fold down tables



Swing-away arms



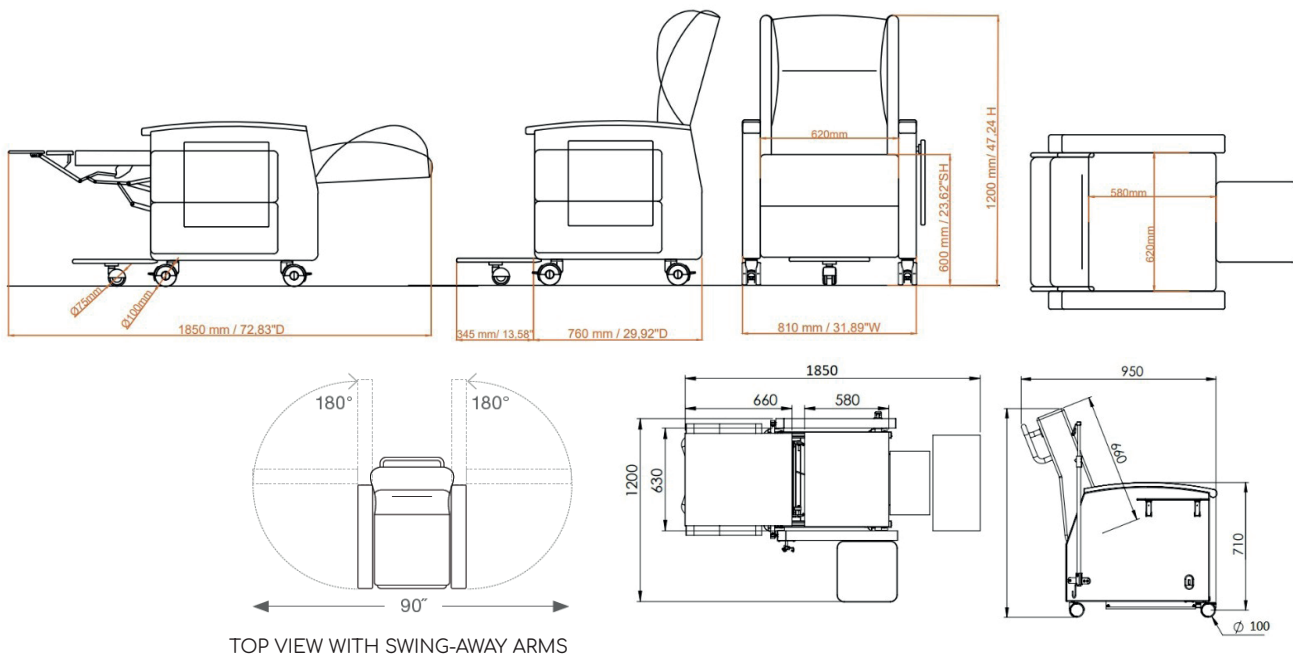
Full trendelenburg position



TV Position



Emergency Positioning CPR Lever



TOP VIEW WITH SWING-AWAY ARMS