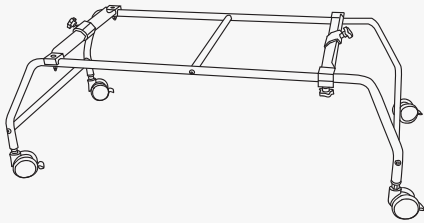


Anchor Bathing Chair Accessories User Manual

Rolling Shower Base:
AN2100



Lateral Support:
AN2110



Positioning Straps, XL:
AN2111



Thank you for purchasing the
Anchor Bathing Chair Accessories

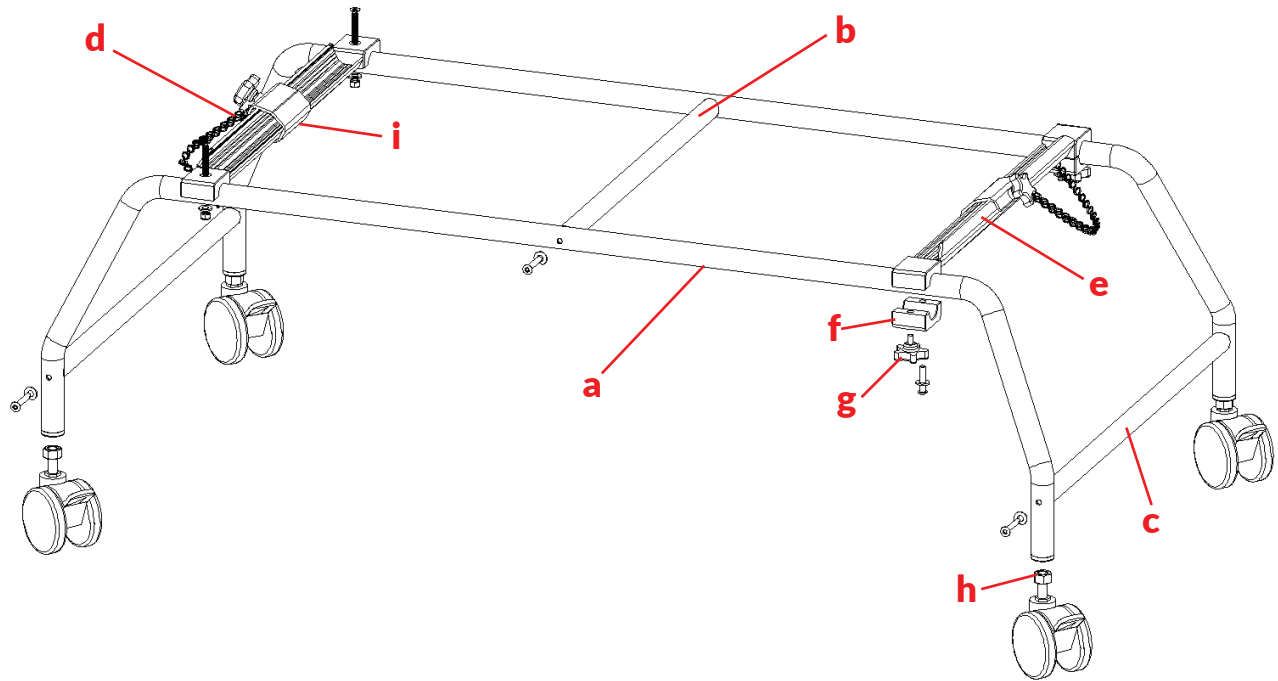
Please read these instructions carefully before assembling
or using the Anchor Bathing Chair Accessories.

Save these instructions for future reference.

NOTE:

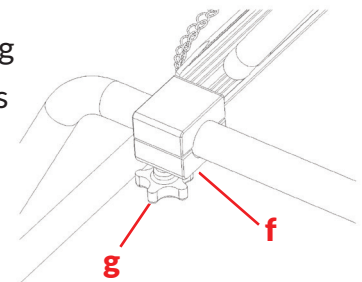
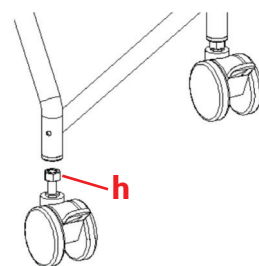
All adjustments are tool-free for your convenience

ASSEMBLY



1. Before assembling, make sure long side frames (a) will be assembled with curves facing the same direction.
2. Connect short top crossbar (b) with long allen screws and curved washers.
3. Connect long side crossbars (c) with long allen screws and curved washers.
4. Mounting Brackets - the fixed and adjustable mounting brackets must both be placed with the higher side facing towards the outside of the frame and angled towards each other.
5. Place fixed mounting bracket (d) on long frame (a) with countersunk hole aligned on frame. Insert flat screws and place curved washers and cap nut beneath frame
6. Place adjustable mounting bracket (e) over long frame. Secure mounting clamps (f) under frame. Insert short allen screws and flat washers towards the inside of the frame and knob (g) towards the outside.
7. Place locking nuts (h) over wheel stem and insert casters into the socket of leg tube.

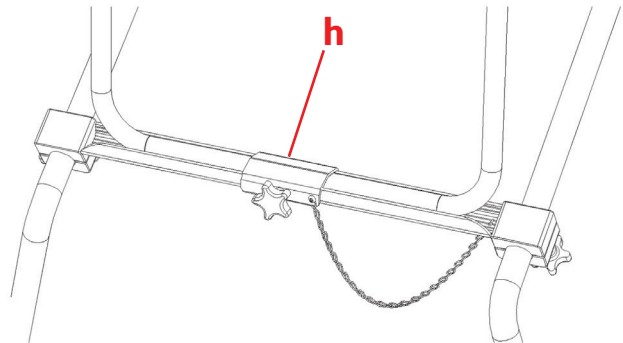
Tighten nut



ADJUSTING THE FRAME

The Anchor Rolling Shower base easily converts your Anchor Bath Chair into a shower chair. Simply position the adjustable mounting bracket to correspond with the desired position and angle of the Anchor Bath Chair legs.

1. Loosen knobs (g) and slide adjustable mounting bracket to desired position.
2. Place the front of the Anchor bath chair into the fixed mounting bracket on the frame.
3. Place the rear of the Anchor bath chair into the adjustable mounting bracket on the frame. Once in position, tighten knobs (g).
4. Place securing clamp (i) over leg on each side and tighten knobs



ANCHOR LATERAL SUPPORT

Place Lateral Support at desired position, slip through the loops on the two black vertical strips on the Anchor Bath Chair, wrap around frame and secure with hook and loop.

ANCHOR XL POSITIONING BELTS

Insert the positioning belt through the appropriate loop on the two black vertical strips along the bath chair. Wrap around child and secure with hook and loop.

Limited 2 Year Warranty

This warranty is solely for the benefit of the original consumer purchaser and is in effect from date of purchase.

Circle Specialty Inc. warrants that the Anchor Bath Chair Accessories will be free from defect for a period of two (2) year.

The warranty does not extend to non-durable components, such as, rubber accessories and grips.

This warranty does not cover device failure due to owner misuse or negligence. It only applies when product is used according to the specified conditions and for the intended purposes.

If within the warranty period any such product shall be proved defective, such product will be repaired or replaced at Circle Specialty's option.

If you have a question about your Circle Specialty wheelchair or this warranty, please contact an authorized dealer.

NOTE:

We regretfully cannot accept returns for bathing and toileting products due to public hygiene concerns.

