



Short Description

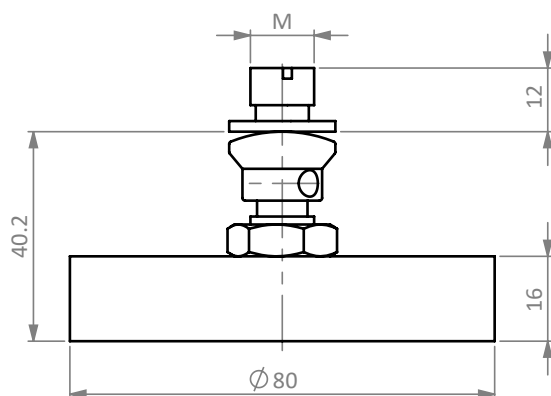
- Height adjustable foot; from ~34mm to ~40mm
- Easy installation
- Stainless steel
- Can be used with load cell models: BM8H and H8H

Available Models

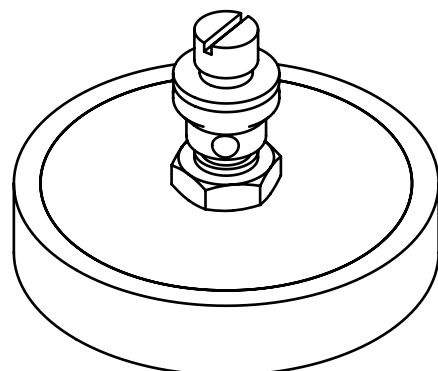
Model	Capacity	Full Article Description	Part Number
BJ-8-206	0.25t – 2t	BJ-8-206-0.25t/2t	20804100

Dimensions in mm

Side View



Isometric View



Dimension Type	Capacity	M
BJ-8-206	0.25t – 2t	M12 x 1.75

Specifications and dimensions are subject to change without notice and do not constitute any liability whatsoever.