



## Short Description

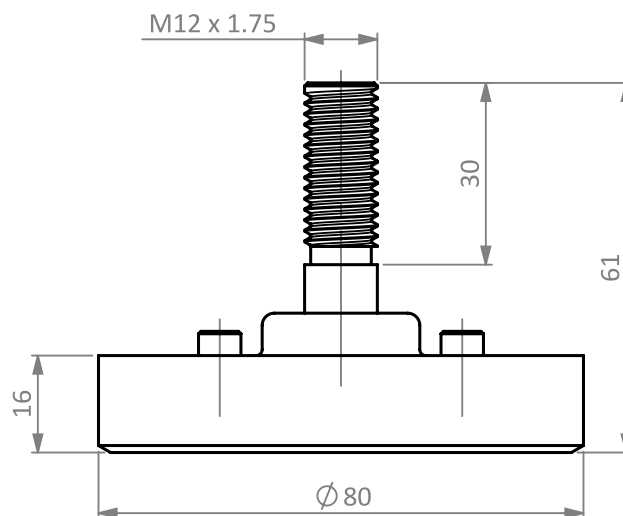
- Good ability of anti-side loading
- Easy installation
- Stainless steel type 1.4301 (304)
- Can be used with load cell models: H8C, B8D and BM8D

## Available Models

Model	Capacity	Full Article Description	Part Number
BJ-8-219	0.5t – 2t	BJ-8-219-0.5t/2t M12 (61mm) SS304	20803120

## Dimensions in mm

### Front View



Specifications and dimensions are subject to change without notice and do not constitute any liability whatsoever.