



## Short Description



- Stainless steel load cell mount
- Self-aligning construction
- Easy load cell access
- Lift-off protection
- Can be used with load cell models: BM8H
- Mount delivered without a load cell. Load cell needs to be ordered separately

## Available Models

Model	Capacity	Full Article Description	Part Number
BM-8-406	0.5 – 2t	BM-8-406-1-0.5t/2t	20850100
	5t	BM-8-406-1-5t	20850200

## Technical Specifications BM-8-406

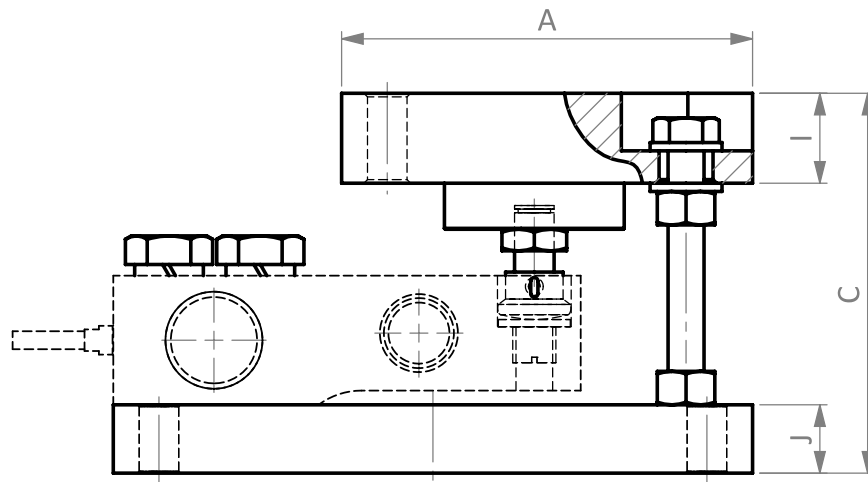
Capacity with load cell	0.5t – 2t	5t
Maximum vertical force (down)	10 kN	30 kN
Maximum vertical force (up)	5 kN	10 kN
Maximum horizontal force	5 kN	15 kN
Maximum horizontal movement	+2 / -2 mm	+2 / -2 mm

**Note:** Expressed maximum forces refer to this mount, without load cell installed.

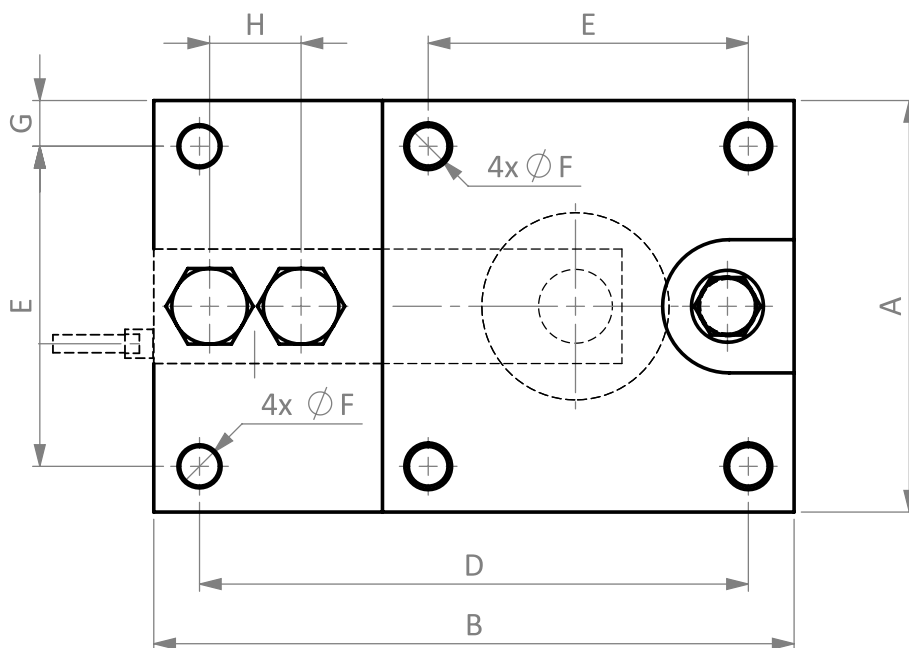
Specifications and dimensions are subject to change without notice and do not constitute any liability whatsoever.

## Dimensions in mm

### Side View



### Top View



Dimension	A	B	C	D	E	ØF	G	H	I	J
Capacity										
0.5t – 2t	114.3	177.8	104.8	152.4	88.9	11	12.7	25.4	25	19
5t	152.4	235	136.5	184.2	101.6	17.5	25.4	38.1	32	25.4

Specifications and dimensions are subject to change without notice and do not constitute any liability whatsoever.