



THE LEADERS IN RECREATION, FITNESS, AND ABILITY!

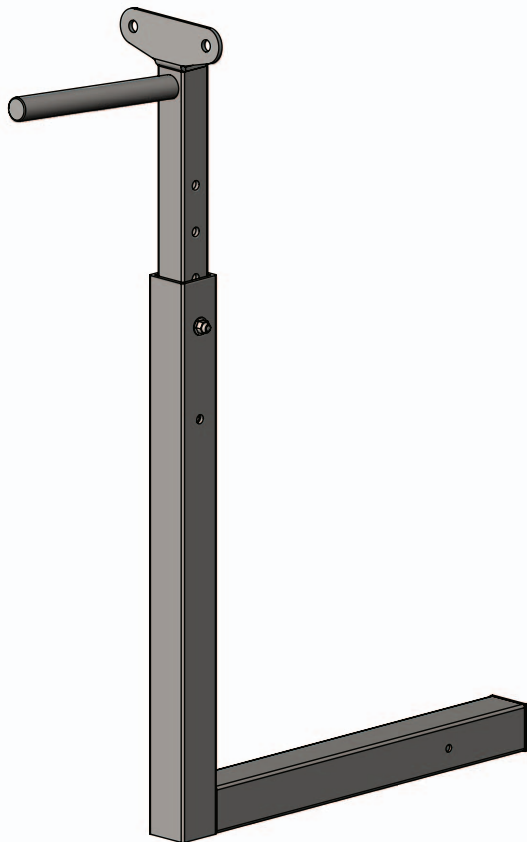
9889 Garrymore Ln

Missoula, MT 59808

888-687-3552 | +1-406-549-0769

www.aquacreek.com

Admiral Adjustable Chair Arm Instructions



PART #: F-AACA

FOR USE WITH
ADMIRAL & ADMIRAL DEEP DRAFT

MANDATORY
LEAVE THIS MANUAL WITH LIFT OWNER

Read and follow all instructions.
Lift safety can only be ensured if the lift is installed and
operated according to these instructions.

- NEVER permit children to play on or around the lift
- Do not allow children to use the lift without adult supervision
- NEVER apply direct water pressure to the electronics
- NEVER use the lift with a dry pool

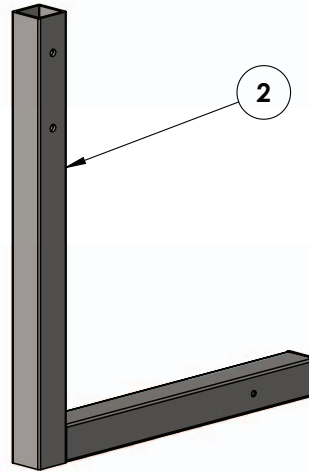
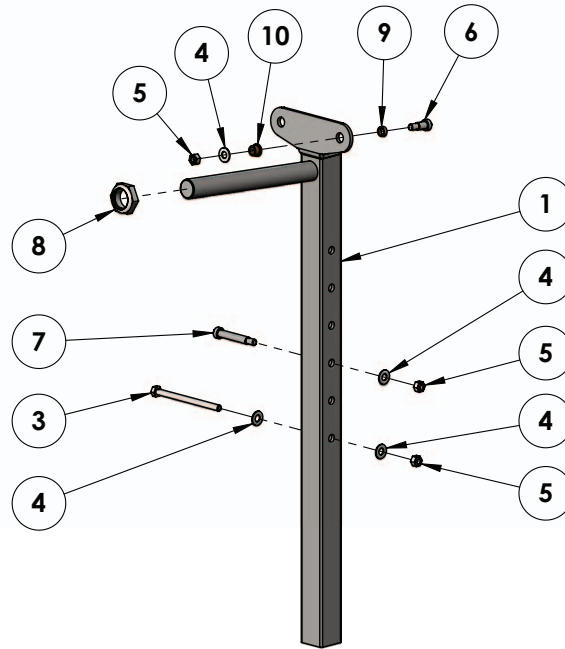
READ CAREFULLY

Check entire box and all packing materials for parts. Before beginning assembly, read the instructions and identify parts using the figures and parts listed in this document.

It is critical that all parts be carefully inspected prior to installation. If any damage occurred in transit, Aqua Creek Products, LLC must be notified within three days of receipt of unit.

Proper installation cannot be overstressed, as an improper installation voids Aqua Creek's warranty and may affect the safety of the user.

Parts List



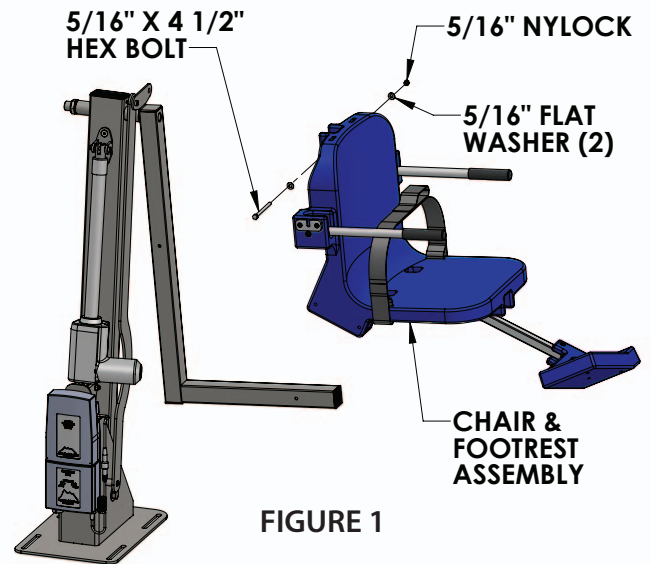
ITEM #	QTY	PART #	DESCRIPTION
1	1	ADM-300AWM-00	ADJUSTABLE CHAIR ARM WELDMENT
2	1	REV-800-20	CHAIR CRADLE ASSEMBLY
3	1	BH 5/16 X 4 1/2	5/16 X 4 1/2 HEX BOLT
4	4	WF 5/16	5/16 FLAT WASHER
5	3	NN 5/16	5/16 NYLOCK NUT
6	1	BS 3/8 X 9/16	3/8 X 9/16 SHOULDER BOLT
7	1	BS 3/8 X 2 18-8	3/8 X 2 SHOULDER BOLT
8	1	NNJ 1	1" NYLOCK JAM NUT
9	1	BRB EP060803	3/8 X 1/2 X 3/16 BRONZE SLEEVE BUSHING
10	1	BRB FB-68-3	1/2 X 3/8 X 3/32 BRONZE FLANGE BUSHING

Adjustable Seat Pole Instructions

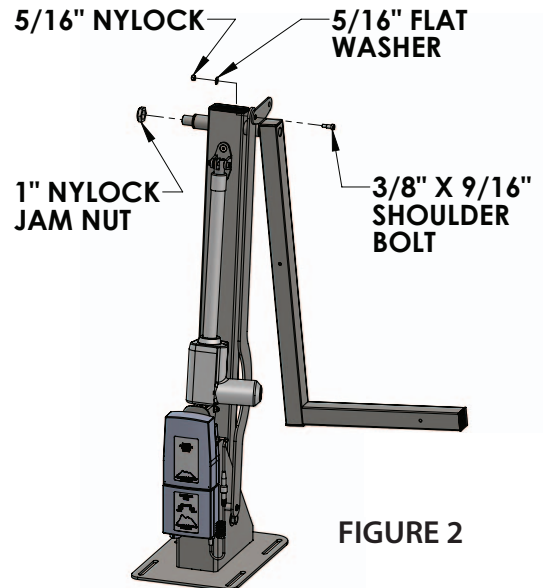
TOOLS REQUIRED FOR ASSEMBLY:

(2) 1/2" WRENCHES (1) 1 1/2" WRENCH
(1) 3/16" ALLEN KEY

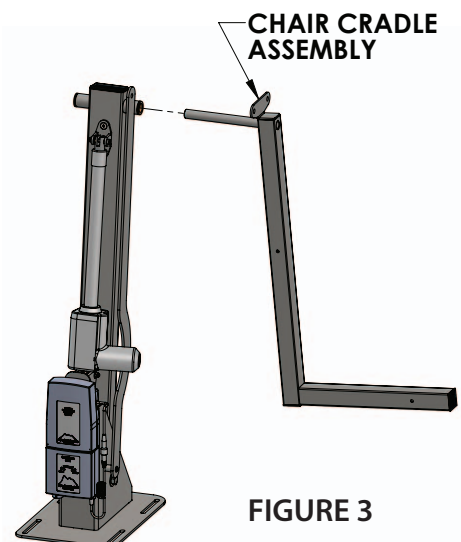
In order to install the adjustable seat pole the old, non-adjustable, seat arm must be removed first. To do this first remove the 5/16" x 4 1/2" hex bolt and 5/16" hardware that connects the seat assembly to the seat arm using the (2) 1/2" wrenches. Remove the seat, along with the footrest, and set gently aside. See FIGURE 1.



Next, remove the 1" nylock jam nut from the chair cradle shaft using the 1 1/2" wrench or an adjustable wrench. Then remove the 3/8" shoulder bolt & 5/16" hardware, that connects the chair cradle and the control arm, using a 1/2" wrench and the 3/16" allen key. See FIGURE 2.



With all hardware removed, slide the chair cradle assembly away from the main lift assembly and set aside. See FIGURE 3.



Adjustable Seat Pole Instructions

Locate the new adjustable chair arm assembly and slide the shaft into the main frame sleeve. Install and tighten the 1" nylock jam nut using the 1 1/2" wrench or an adjustable wrench. Now attach the chair cradle to the adjustable chair arm, with the 3/8" x 2" shoulder bolt and 5/16" flat washer & nylock nut, using a 1/2" wrench and 3/16" allen key. See FIGURE 4.

NOTE: 3/8" BOLT NEEDS TO BE INSTALLED AT LEAST 3 HOLES UP FROM THE BOTTOM!

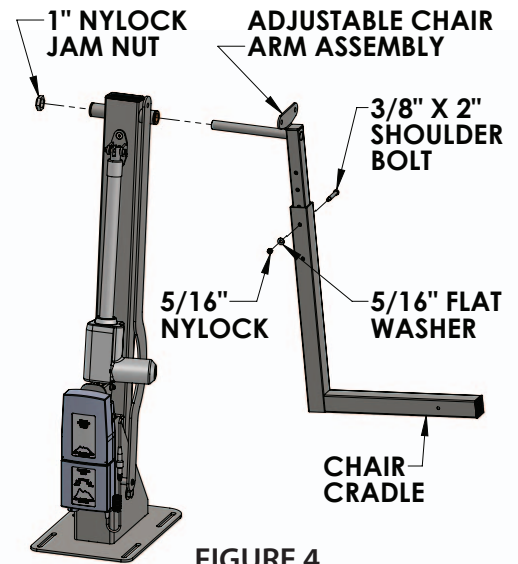


FIGURE 4

Attach the control arm to the adjustable chair arm with the 3/8" x 9/16" shoulder bolt, 5/16" flat washer & nylock nut, flange bushing and sleeve bushing. See FIGURE 5.

NOTE: BUSHINGS ARE SHOWN HERE IN CASE THEY ARE LOST OR MISPLACED DURING DISASSEMBLY.

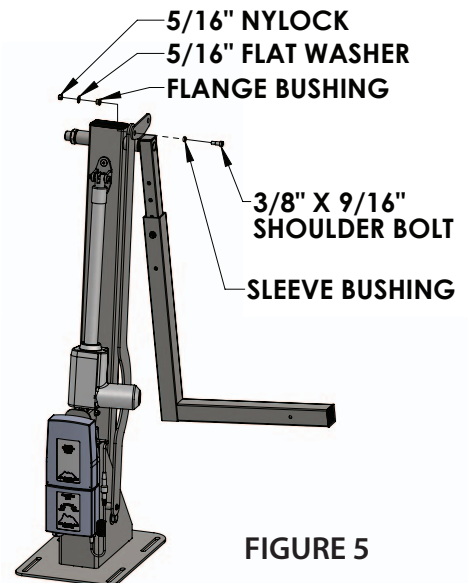


FIGURE 5

Reinstall the chair with the 5/16" x 4 1/2" hex bolt and 5/16" hardware using the two 1/2" wrenches. See FIGURE 6.

NOTE: NEVER OPERATE THE LIFT WITHOUT BOTH THE 3/8" X 2" SHOULDER BOLT AND THE 5/16" X 4 1/2" HEX BOLT INSTALLED!

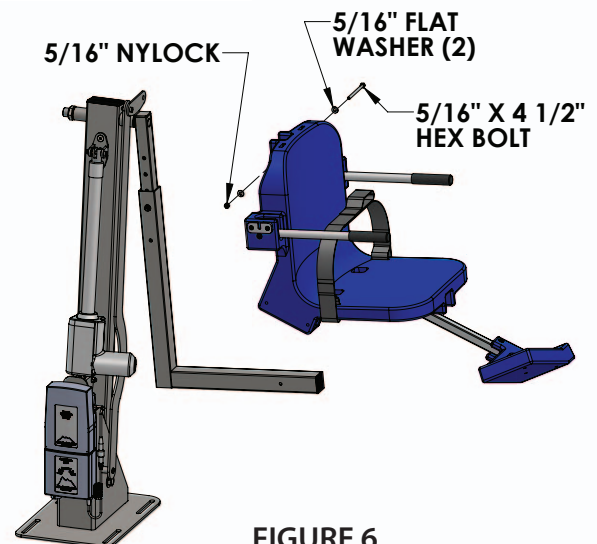


FIGURE 6

Height Adjustment Instructions

The seat height can be adjusted to four different heights in 2" increments. To adjust the seat height, both bolts, and all hardware, must be removed. The chair cradle can then easily be moved up or down to the desired height. Remember, BOTH bolts must always be installed prior to use, so the top bolt can be adjusted no lower than the 3rd hole from the bottom. See FIGURE 7 below.

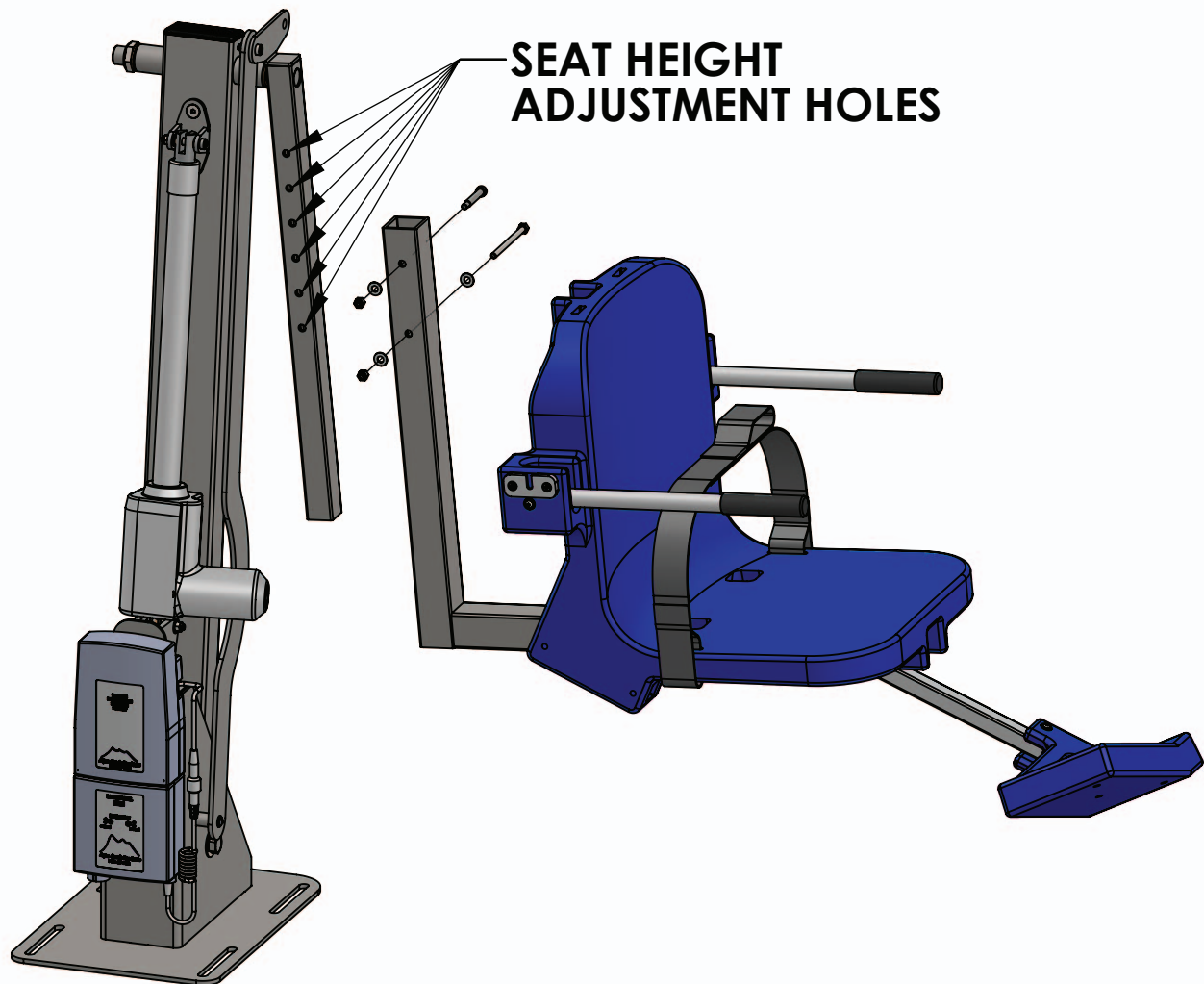


FIGURE 7