

Grafco®

MODEL 2200 / 2203 Q-SERIES ULTRAVIOLET MAGNIFIER LAMP



**Model 2200
Q-Series Long Wave
Ultraviolet
Magnifier Lamp**



**Model 2203
Q-Series Long Wave
Ultraviolet
with White Light
Magnifier Lamp**

OPERATION MANUAL

Info: The most current version of this manual can be found online at www.grahamfield.com.

- ⚠ **WARNING:** Important! Read and understand these instructions before using the 2200 / 2203 Q-Series Ultraviolet Magnifier Lamp. If you do not understand any part of these instructions, contact a healthcare professional for direction in the use of this product. If the lamp is not properly installed and operated, personal injury and / or damage to the lamp could result.

PLEASE SAVE THIS MANUAL FOR FUTURE USE.



CONTENTS

INTRODUCTION	2
INTENDED USE	2
IMPORTANT SAFETY PRECAUTIONS	3
SIGNIFICANCE OF SAFETY STATEMENTS	3
UNPACKING AND INSPECTION	4
OPERATION INSTRUCTIONS	4
2200: GENERAL FUNCTIONAL CHECKS (PERFORM BEFORE USE) ..	4
2203: GENERAL FUNCTIONAL CHECKS (PERFORM BEFORE USE) ..	5
OPERATOR MAINTENANCE	5
MAINTENANCE	5
HOUSING AND MAGNIFIER LENS CLEANING	5
TUBE AND REFLECTOR CLEANING	5
TUBE REPLACEMENT	5
SPECIFICATIONS	6
ENVIRONMENTAL SPECIFICATIONS	6
ELECTRICAL SPECIFICATIONS	6
DISPOSAL	6
LIMITED WARRANTY	7

GF Health Products, Inc. is not responsible for typographical errors. For the most updated and current information on packaging, warranties, products and specifications, including the most current version of these instructions, please visit our website at www.grahamfield.com.

Graham-Field and **Grafo** are registered trademarks of **GF Health Products, Inc.**

© 2015 GF Health Products, Inc.

INTRODUCTION

This operation manual contains important information and safety precautions for the Grafo 2200 / 2203 Q-Series Ultraviolet Magnifier Lamp. Before using the lamp, please read and understand this entire user manual. Take special note of all safety precautions marked DANGER and WARNING. Save this operation manual for future reference.

Intended Use

The Grafo 2200 / 2203 Q-Series Ultraviolet Magnifier Lamp is intended to provide visual magnification during fluorescence analysis in an indoor laboratory.

IMPORTANT SAFETY PRECAUTIONS

- ⚠ **IMPORTANT:** Before using the lamp, please read and adhere to the following safety precautions and warnings. Failure to do so could result in serious personal injury or damage to the lamp. If you experience any malfunction, contact your GF authorized distributor immediately, as a hazardous condition could result, causing personal injury or damage to the lamp. Maintenance **MUST** be performed by qualified personnel **ONLY**.

Significance of safety statements

Please note the following special statements, used throughout this manual, and their significance:

- ⚠ **DANGER:** Indicates a potential hazard situation or unsafe practice that, if not avoided, will result in death or serious personal injury.
- ⚠ **WARNING:** Indicates a potential hazard situation or unsafe practice that, if not avoided, could result in death or serious personal injury.
- ⚠ **CAUTION:** Indicates a potential hazard situation or unsafe practice that, if not avoided, could result in minor or moderate personal injury.
- ▲ **NOTICE:** Indicates a potential hazard situation or unsafe practice that, if not avoided, could result in product or property damage.

Info: Provides application recommendations or other useful information to ensure that you get the most from your product.

- ⚠ **DANGER:** Ultraviolet radiation is emitted from this product. Avoid exposure. **ALWAYS WEAR PROTECTIVE CLOTHING. EXPOSURE MAY CAUSE PREMATURE AGING OF THE SKIN AND CANCER. ALWAYS WEAR PROTECTIVE EYEWEAR; FAILURE TO DO SO MAY RESULT IN SEVERE BURNS OR LONG TERM INJURY TO EYE.** Never look directly into the lamp. Exposure can cause eye and skin allergy and allergic reactions. Medications or cosmetics may increase your sensitivity to ultraviolet radiation. Consult physician before operating this product if you are using medications or have a history of skin problems or believe yourself especially sensitive to sunlight. **FOR LABORATORY USE ONLY.**
- ⚠ **WARNING:** If components are damaged or missing, contact your dealer immediately. **DO NOT** use substitute parts. Use only Grafco replacement parts. Non-Grafco replacement parts could cause personal injury and / or damage to the lamp.
- ⚠ **WARNING:** GF Health Products, Inc. assumes no responsibility for any damage or injury caused by improper installation or use of this product.

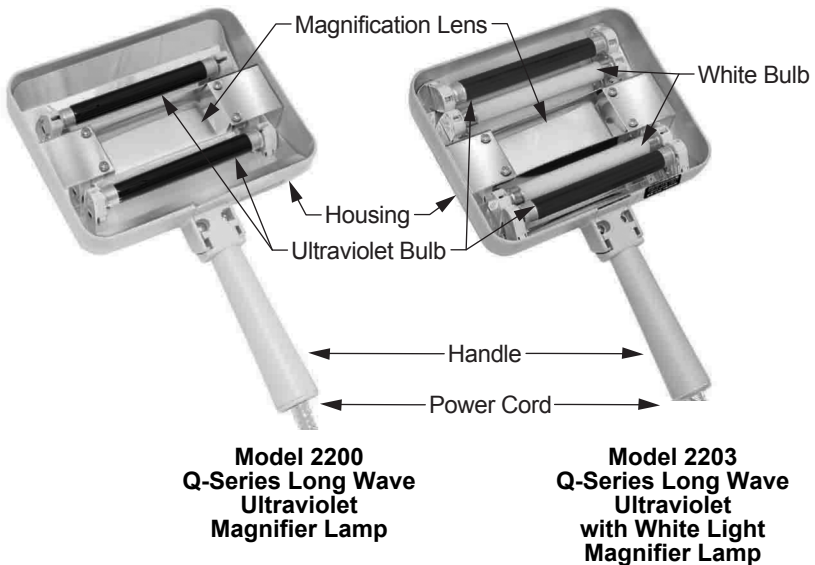
UNPACKING AND INSPECTION

Your device will include the following components:

- Lamp Unit
 - Operation Manual
 - 2200: Two 4-Watt Integrally Filtered UV-A Tubes (2223A)
 - 2203: Two 4-Watt Integrally Filtered UV-A Tubes (2223A) and Two 4-Watt White Light Tubes (2223C)
1. Carefully unpack and inspect the lamp for possible damage in shipment. If any damage is noted, immediately notify the carrier and supplier before attempting to use the lamp.
 2. Save the shipping carton and packing materials for future storing and shipping of the lamp.
 3. Check the lamp's electrical performance as soon as possible according to the following **General Function Checks**.

OPERATION INSTRUCTIONS

Please refer to illustration below. The inner bulb side is shown; switches are on the outer side.



2200: General Functional Checks (Perform Before Use)

1. Connect the plug to a power outlet that complies with the electrical requirements specified on the lamp's label.
2. Press the white power switch.
3. The tubes should become energized and emit a steady glow of light. The light may initially flicker, especially if the lamp is cold, but should stabilize after a few seconds.
4. To turn the lamp off, press the switch or disconnect from electricity.

2203: General Functional Checks (Perform Before Use)

1. Connect the plug to a power outlet that complies with the electrical requirements specified on the lamp's label.
2. Press the white power switch to operate white light bulbs, or the black switch to operate UV-A bulbs.
3. The tubes should become energized and emit a steady glow of light. The light may initially flicker, especially if the lamp is cold, but should stabilize after a few seconds.
4. To turn the lamp off, press both switches to off position or disconnect from electricity.

Info: *The 2203 white switch controls white light operation, while the black controls UV-A. If you operate the other switch while one is on, it will power the other one off.*

Operator Maintenance

The following maintenance instructions are intended for **limited** maintenance of the lamp. Do not perform any maintenance other than that contained in these instructions. Return the lamp to your GF authorized distributor for other maintenance not covered in this section.

MAINTENANCE

⚠ WARNING: To avoid the risk of electrical shock, always unplug the lamp from its power source before performing maintenance or cleaning.

▲ NOTICE: DO NOT use abrasive cleansers on any part of lamp. DO NOT immerse lamp in any liquid.

Housing and Magnifier Lens Cleaning

The polycarbonate lamp housing protects the internal parts. Immediately clean spills from the housing and magnifier lens with water and a mild detergent and wipe dry with a clean, soft cloth. Do not allow any liquids to leak into electrical components. Clean the lens as needed with glass cleaner and a clean, soft cloth.

Tube and Reflector Cleaning

Clean the reflector as needed with glass cleaner and a clean, soft cloth.

Clean the tubes as needed with a mild detergent solution. Wipe dry with a clean, soft cloth.

Tube Replacement

Info: Replacement tubes are available at www.grahamfield.com.

Replacement Tube Part Number	Description	Product
2223A	Tube, UV-A, 4 Watt	2200, 2203
2223C	Tube, White Light, 4 Watt	2203

If a tube fails to operate correctly, review the procedures outlined in the OPERATION section. If the problem persists and it is necessary to replace a tube, unplug the lamp from its power source before proceeding.

1. Lay the lamp housing on a flat, level surface with the tubes facing up.
2. Grasp the tube by the metal bases located at each end. Applying even pressure, gently rotate the tube a quarter turn until it loosens. The tube may now be easily removed from its sockets.
3. Install the new tube by reversing the above procedure.
4. If installation of the new tube fails to yield correct lamp operation, check to ensure the two pins at each end of the tube are properly connected with the two copper contacts in each socket.

Info: The tubes in all Q-Series lamps are wired in series. Therefore, if one tube fails the other tube of the same wavelength will not illuminate, even though it may be in good operating condition.

SPECIFICATIONS

Environmental Specifications

Graeco Q-Series lamps are designed to be used under the following conditions:

- Indoor use
- Altitude to 2,000 m (6,562 ft.)
- Temperature 5°C to 40°C (41°F to 104°F)
- Maximum relative humidity 80% for temperatures up to 31°C (88°F), decreasing linearly to 50% relative humidity at 40°C (104°F)
- Mains supply voltage fluctuations not to exceed ±10% of the nominal voltage
- Installation category II
- Pollution degree 2

Electrical Specifications

Model	Wavelength	Number of Tubes	Amps
2200	UV-A	2	0.2
2203	UV-A / White	2 / 2	0.2

- All models are 120V / 60Hz
- Housing dimensions W x L x H: 5.75 x 2.25 in (14.6 x 17.8 x 5.7 cm)
- All tubes are 4 Watt
- UV-A tubes are integrally filtered
- Long Wave (UV-A): 365nm
- UL listed
- CSA approved
- All models are ISO 9001:2008 certified

Disposal

⚠ **WARNING:**  **LAMP / TUBES CONTAIN MERCURY.**
 Manage in Accordance with Disposal Laws.
 See: www.lamprecycle.org.

LIMITED WARRANTY

SCOPE OF WARRANTY

GF Health Products, Inc. ("GF") warrants to the original purchaser only that it will replace or repair components, at GF's sole discretion, that are defective in material or workmanship under normal use and service. All warranties are conditioned upon the proper use of the products strictly in accordance with good commercial practice and applicable GF instructions and manuals, including proper use and maintenance. To the extent that a component is warranted by a third party, GF conveys all of its rights under that warranty to the original purchaser, to the extent permitted. This limited warranty shall only apply to defects that are reported to GF's customer service team within the applicable warranty period and which, upon examination by GF or its authorized representative, prove to be a warranty item. This limited warranty is not transferable. Within the guidelines set forth in this document, this product is warranted for one (1) year. The applicable warranty period shall commence from date of shipment to the original customer, unless there is an expiration date on the component in which case the warranty shall expire on the earlier of warranty period or the expiration date.

OBTAINING WARRANTY SERVICE

This limited warranty shall only apply to defects that are reported to the Distributor from whom the Customer purchased the product within the applicable warranty period. If there is not a Distributor, you must contact GF directly by calling 770-368-4700, sending a fax request to 770-368-2386, or by e-mailing a request to cs@grahamfield.com. Specific directions will be provided by the Customer Service Representative. Failure to abide by the specific directions will result in denial of the warranty claim.

EXCLUSIONS

The warranty does not cover and GF shall not be liable for the following:

- 1) Defects, damage, or other conditions caused, in whole or in part, by misuse, abuse, negligence, alteration, accident, freight damage, tampering or failure to seek and obtain repair or replacement in a timely manner;
- 2) Products which are not installed, used, or properly cleaned and maintained as required in the official manual for the applicable product;
- 3) Products considered to be of a non-durable nature including, but not limited to: casters, filters, fuses, gaskets, lubricants, and charts;
- 4) Accessories or parts not provided by GF;
- 5) Charges by anyone for adjustments, repairs, replacement parts, installation or other work performed upon or in connection with such products which are not expressly authorized in writing, in advance, by GF;
- 6) Any labor or shipping charges incurred in the replacement part installation or repair;
- 7) Costs and expenses of regular maintenance and cleaning; and
- 8) Representations and warranties made by any person or entity other than GF.

ENTIRE WARRANTY, EXCLUSIVE REMEDY AND CONSEQUENTIAL DAMAGES DISCLAIMER

THIS WARRANTY IS GF'S ONLY WARRANTY AND IS IN LIEU OF ALL OTHER WARRANTIES, EXPRESS OR IMPLIED. GF MAKES NO IMPLIED WARRANTIES OF ANY KIND INCLUDING ANY IMPLIED WARRANTIES OF MERCHANTABILITY OR FITNESS FOR A PARTICULAR PURPOSE. IF ANY MODEL OR SAMPLE WAS SHOWN TO THE CUSTOMER, SUCH MODEL OR SAMPLE WAS USED MERELY TO ILLUSTRATE THE GENERAL TYPE AND QUALITY OF THE PRODUCT AND NOT TO REPRESENT THAT THE PRODUCT WOULD NECESSARILY CONFORM TO THE MODEL OR SAMPLE IN ALL RESPECTS. THIS WARRANTY IS LIMITED TO THE REPAIR OR REPLACEMENT OF THE DEFECTIVE PARTS. GF SHALL NOT BE LIABLE FOR AND HEREBY DISCLAIMS ANY DIRECT, SPECIAL, INDIRECT, INCIDENTAL, EXEMPLARY OR CONSEQUENTIAL DAMAGES, INCLUDING, BUT NOT LIMITED TO: DAMAGES FOR LOSS OF PROFITS OR INCOME, LOSS OF USE, DOWNTIME, COVER, OR EMPLOYEE OR INDEPENDENT CONTRACTOR WAGES, PAYMENTS AND BENEFITS.

The warranties contained herein contain all the representations and warranties with respect to the subject matter of this document, and supersede all prior negotiations, agreements and understandings with respect thereto. The recipient of this document hereby acknowledges and represents that it has not relied on any representation, assertion, guarantee, warranty, collateral contract or other assurance, except those set out in this document.

For additional information on this product or this warranty, please contact a GF Customer Service Representative.

NOTES:

- 1) Additional terms and conditions may apply.
- 2) Freight claims must be notated on the appropriate shipping documents and must be made with immediacy. International, federal and state regulations govern specific requirements for freight claims. Failure to abide by those regulations may result in a denial of the freight claim. GF will assist you in filing the freight claim.
- 3) Claims for any short shipment must be made within thirty (30) days of the invoice date.

Manufactured for:
GF Health Products, Inc.
2935 Northeast Parkway
Atlanta, GA 30360
tel 770-368-4700
fax 770-368-2386



GRAHAM-FIELD

www.grahamfield.com

Made in USA (except bulbs)