



Short Description

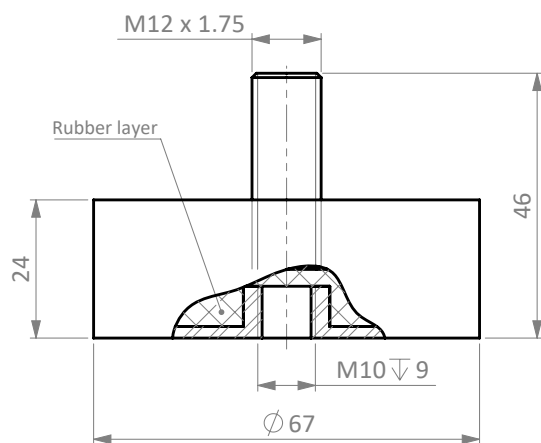
- Height adjustable foot
- Easy installation
- Nickel plated alloy steel
- Can be used with load cell models: H8C, B8D and BM8D

Available Models

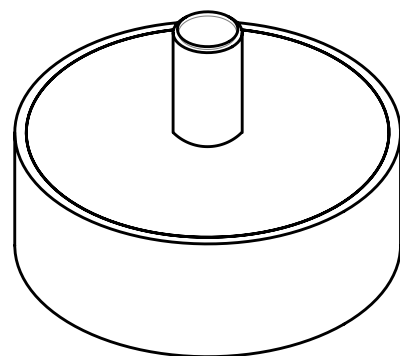
Model	Capacity	Full Article Description	Part Number
HJ-8-203	0.1t – 2t	HJ-8-203-0.1t/2t (h=46mm)	20802100

Dimensions in mm

Side View



Isometric View



Specifications and dimensions are subject to change without notice and do not constitute any liability whatsoever.