



## Short Description

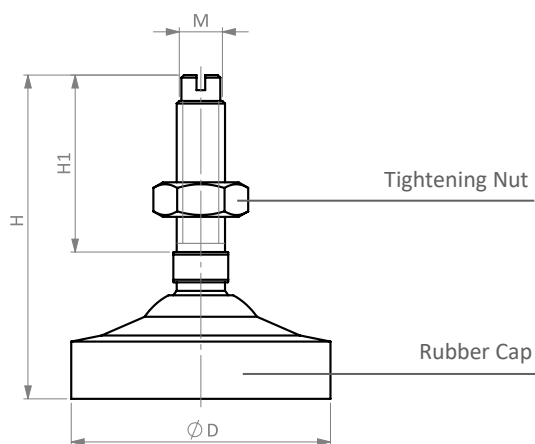
- Height adjustable half-ball foot
- Easy installation
- Nickel plated alloy steel
- Can be used with load cell models: B8D, BM8D and H8C

## Available Models

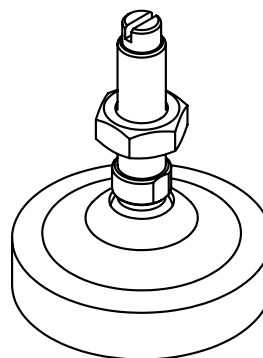
Model	Capacity	Full Article Description	Part Number
HJ-8-208	0.1t – 2t	HJ-8-208-0.1t/2t	20806100
	2.5t – 5t	HJ-8-208-2.5t/5t (M18x1.5)	20806200
	2.5t – 5t	HJ-8-208-2.5t/5t (M20x2.5)	20806210
	1klb – 5kSE	HJ-8-208-1/5KSE	20806300

## Dimensions in mm (inch)

### Side View



### Isometric View



Dimension Type	Capacity	$\varnothing D$	H	H1	M
HJ-8-208	0.1t – 2t	60	75	41	M12 x 1.75
	2.5t – 5t	80	96	50	M18 x 1.5
	2.5t – 5t	80	96	50	M20 x 2.5
	1klb-5kSE	(2.36)	(2.91)	(1.65)	1/2-20UNF

Specifications and dimensions are subject to change without notice and do not constitute any liability whatsoever.