



Short Description



- Easy installation
- Alloy steel
- Can be used with load cell models: H3, H3G, B3G and BM3

Available Models

Model	Capacity	Full Article Description	Part Number
HL-3-003	25 – 50kg/100kg*	HL-3-003-25/50kg/100kg*-LM M8	20301100
HL-3-003	100 – 150kg	HL-3-003-100/150kg-LM M10	20301200
HL-3-003	200 – 1000kg	HL-3-003-200/1000kg-LM M12x1.75	20301400
HL-3-003	1500kg	HL-3-003-1500kg-LM M12x1.75 (63mm)	20301410
HL-3-003	2 – 3t	HL-3-003-2/3t-LM M20x1.5	20301500
HL-3-003	5t	HL-3-003-5t-LM M20x1.5 GA20	20301600
HL-3-003	5 – 7.5t	HL-3-003-5/6/7.5t (M24x2.0 BM3)	20301620
HL-3-003	10t	HL-3-003-10t-LM M30x2.0	20301700
HL-3-003	10t	HL-3-003-10t-LM M33x3.0 (EM35-22-501)	20301730
HL-3-003	20t	HL-3-003-20t M42x3.0 (EM45)	20301110
HL-3-003	30t	HL-3-003-30t M42x3.0 (EM50 Customized)	20301120

Technical specifications HL-3-003

Capacity with Load Cell	25-50kg	100-150kg	200-1000kg	1.5t	2-3t	5t	5-7.5t	10t	20t	30t
Max static lifting weight	200kg	500kg	1.08t	3.0t	4.0t	6.0t	10t	18.4t	27.6t	33.9t
Max dynamic lifting weight	22kg	70kg	0.49t	0.74t	1.6t	2.4t	4.3t	6.9t	10.7t	13.2t

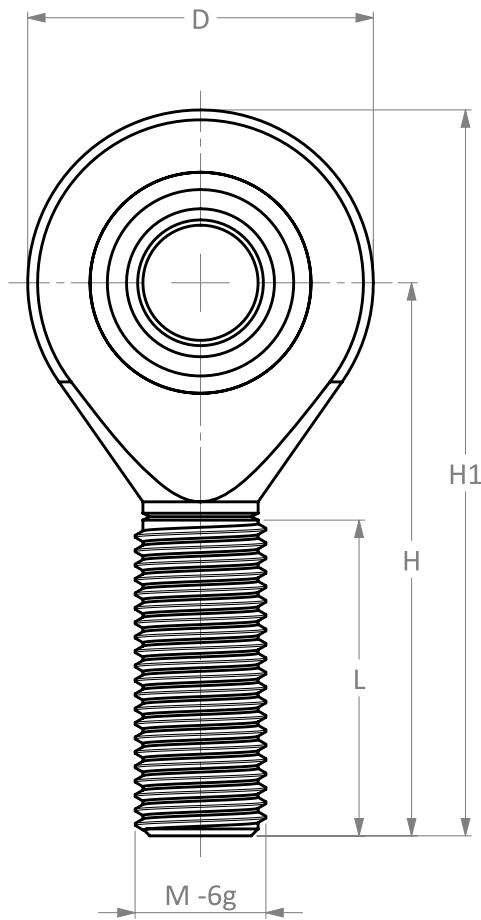
Note: Expressed maximum forces refer to this mount, without load cell installed. The maximal mounting force is dependent on the applied dynamic force.

* = The HL-3-003 25/50kg M8 version is also suited for 100kg capacity of the BM3, B3G and H3G load cells.

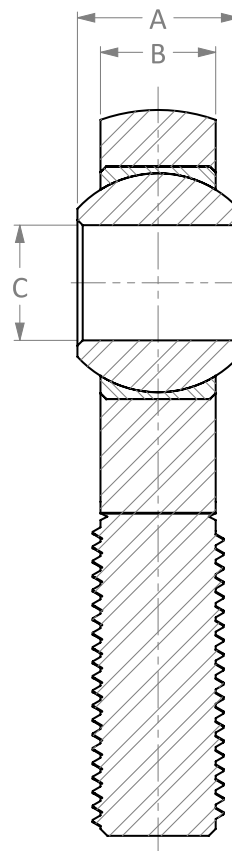
Specifications and dimensions are subject to change without notice and do not constitute any liability whatsoever.

Dimensions in mm

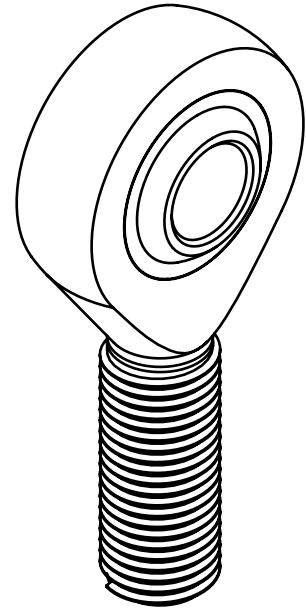
Front View



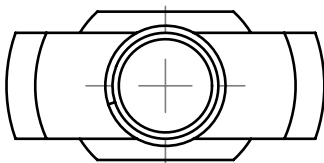
Side View



Isometric View



Bottom View



Dimension \ Capacity	A	B	C	D	H	H1	L	M x Pitch
25-50kg	8	6.5	8	24	42	55	27	M8 x 1.25
100-150kg	9	7.5	10	30	48	63	30	M10 x 1.5
200kg-1t	10	8.5	12	35	55	72	35	M12 x 1.75
1.5t	16	13.5	20	54	63	92	28	M12 x 1.75
2t-3t	16	13.5	20	54	79	105	49	M20 x 1.5
5t	25	18	20	50	78	103	47	M20 x 1.5
5t-7.5t	20	16	25	62	94	125	57	M24 x 2
10t (M30)	37	25	30	70	110	145	71	M30 x 2.0
10t (M33)	25	20	35	82	140	181	92	M33 x 3.0
20t	32	25	45	102	163	214	98	M42 x 3.0
30t	35	28	50	112	185	241	110	M42 x 3.0

Specifications and dimensions are subject to change without notice and do not constitute any liability whatsoever.