

Short description



- Easy installation
- Alloy steel
- Can be used with load cell models: H3, H3F, H3G, B3G and BM3

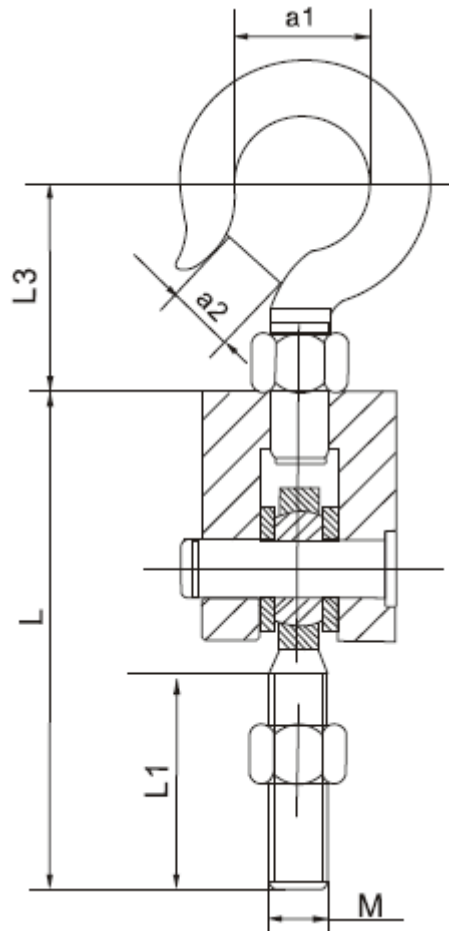
Available models

Model	Capacity	Full article description	Part number
HL-3-004	25kg-50kg	HL-3-004-25/50kg	2030210
HL-3-004	100kg-150kg	HL-3-004-100/150kg	2030220
HL-3-004	200kg-300kg	HL-3-004-200/300kg	2030230
HL-3-004	500kg-750kg	HL-3-004-200/300kg	2030240
HL-3-004	1t	HL-3-004-1t	2030244
HL-3-004	1.5t	HL-3-004-1.5t	2030245
HL-3-004	2t-3t	HL-3-004-2/3t	2030250
HL-3-004	5t	HL-3-004-5t	2030260

Technical specifications HL-3-004

Capacity	25-50kg	100-150kg	200-300kg	500-750kg	1t	1.5t	3t	5t
Static lifting weight	0.25t	0.25t	0.4t	0.8t	1.08t	1.6t	3.0t	6.0t

Specifications and dimensions are subject to change without notice and do not constitute any liability whatsoever.



Dimension type	Capacity	a1	a2	L	L1	L3	M x P
HL-3-004	25-50kg	25	20	77	21	65	M8 x 1.25
HL-3-004	100-150kg	25	20	83	26	65	M10 x 1.5
HL-3-004	200kg-300kg	28	22	89	28	77	M12 x 1.75
HL-3-004	500kg-750kg	34	27	89	28	103.5	M12 x 1.75
HL-3-004	1t	40	32	89	28	134	M12 x 1.75
HL-3-004	1.5t	40	32	118	28	134	M12 x 1.75
HL-3-004	2t-3t	48	38	133	43	134	M20 x 1.5
HL-3-004	5t	56	45	149	43	173	M20 x 1.5

Specifications and dimensions are subject to change without notice and do not constitute any liability whatsoever.