



Short Description

- Nickel plated alloy steel load cell mount
- Easy load cell access
- Self-alignment ability
- Anti-rotation protection
- Can be used with load cell models: BM14C. Load cell needs to be ordered separately
- Top and bottom rocker support not included

Available Models

Model	Capacity	Full Article Description	Part Number
HM-14-403	10 – 50t	HM-14-403-1-10/50t	21401100

Technical Specifications HM-14-403

Capacity with load cell	10t – 50t
Maximum vertical force (down) with loadcell	150 %FS
Maximum horizontal force	50 kN
Maximum horizontal movement	± 5.4mm

Compatible Rocker Support Information

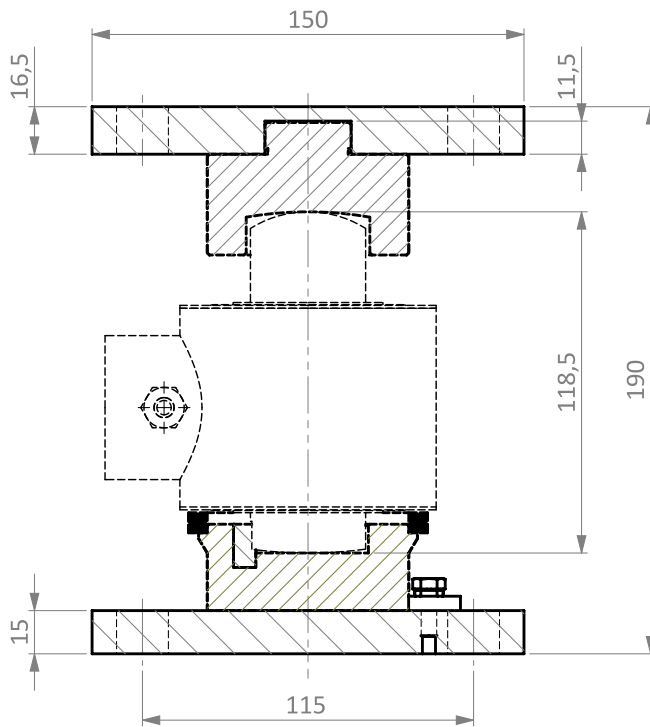
Model	Capacity	Load Cell Model	Part Number
BY-14-103-0/30t	0.5 – 30t	BM14C-0.5t/30t	21404100
BY-14-103-40/50t	40 – 50t	BM14C-40/50t	21404110

Specifications and dimensions are subject to change without notice and do not constitute any liability whatsoever.

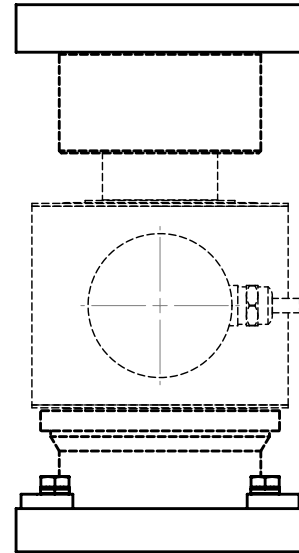
Type HM-14-403 Mount

Dimensions in mm

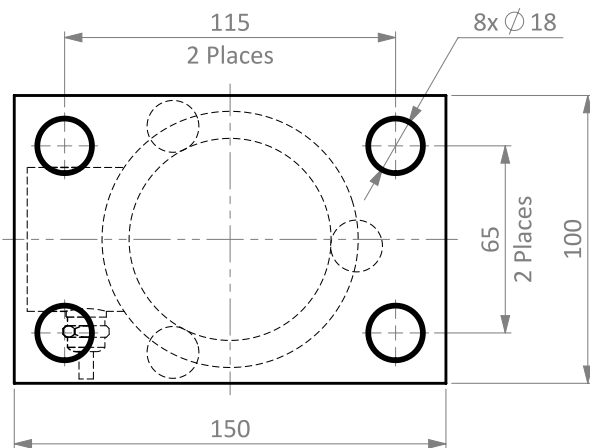
Front View



Side View



Top View



Isometric View

