

Short Description



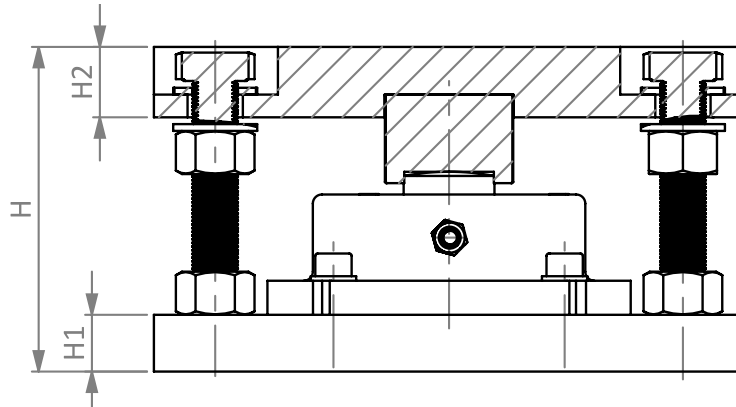
- Easy installation
- Nickel plated alloy steel
- Self-aligning ability
- Lift-off Protection
- Can be used with Load Cell models: H2F

Available Models

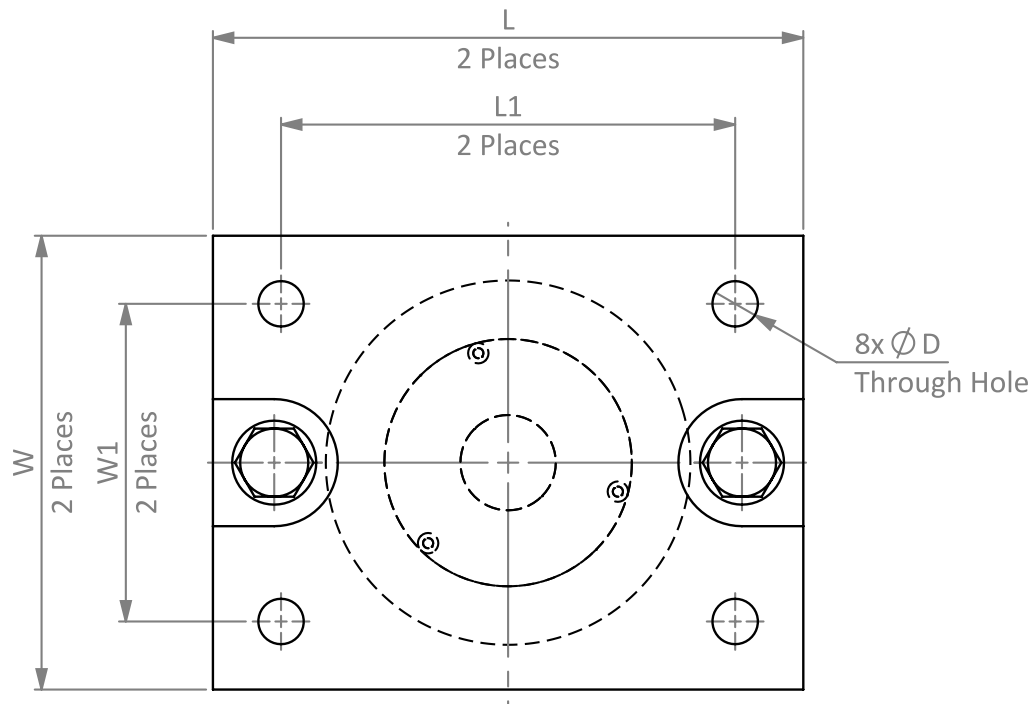
Model	Capacity	Full Article Description	Part Number
HM-2-401	1t	HM-2-401-1-1t (Fixed)	20200000
	2t	HM-2-401-1-2t (Fixed)	20200020
	3t	HM-2-401-1-3t (Fixed)	20200030
	5t	HM-2-401-1-5t (Fixed)	20200050
	10t	HM-2-401-1-10t (Fixed)	20200100
	15t	HM-2-401-1-15t (Fixed)	20200200
	20t	HM-2-401-1-20t (Fixed)	20200300
	30t	HM-2-401-1-30t (Fixed)	20200400
	50t	HM-2-401-1-50t (Fixed)	20200500

Dimensions in mm

Front View



Top View



Capacity \ Dimension	H	H1	H2	L	L1	W	W1	ØD
1t – 5t	112	20	27	228	168	170	110	17.5
10t	143	25	31	260	200	200	140	20
15t	163	30	37	294	234	234	174	20
20t	173	30	37	320	260	260	200	20
30t	200	35	47	330	270	270	210	23
50t	225	40	55	364	294	294	224	27

Specifications and dimensions are subject to change without notice and do not constitute any liability whatsoever.