

Short Description



- Lift-off protection
- Self-aligning construction
- Nickel plated alloy steel
- Can be used with load cell models: H8 and HM8

Available Models

Model	Capacity	Full article description	Part number
HM-8-401	0.5 – 2t	HM-8-401-1-0.5t/2t (fixed)	20820100
	3t	HM-8-401-1-3t (fixed)	20820120
	5t	HM-8-401-1-5t (fixed)	20820200
	10 – 15t	HM-8-401-1-10/15t (fixed)	20820300
	20t	HM-8-401-1-20t (fixed)	20820400

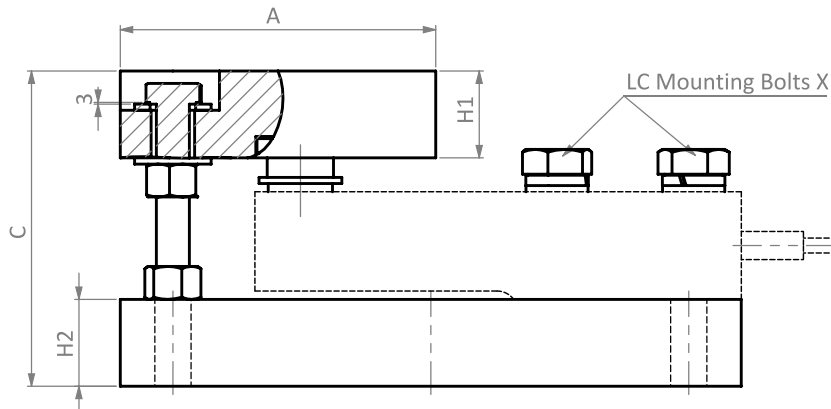
Technical Specifications HM-8-401

Capacity with load cell	0.5t – 2 – 3t	5t	10t – 15t	20t
Maximum vertical force (down) without load cell	15 kN	30 kN	60 kN	80kN
Maximum vertical force (up)	10 kN	20 kN	40 kN	80kN
Maximum horizontal force	5 kN	10 kN	20 kN	100kN
Maximum horizontal movement	+2.5 / -2.5 mm		+4 / -4 mm	

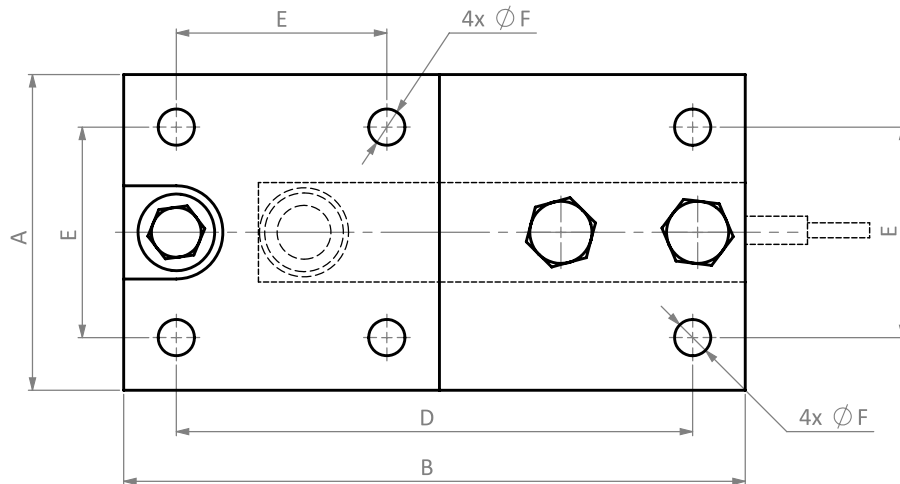
Note: Expressed maximum forces refer to this mount, without load cell installed.

Dimensions in mm

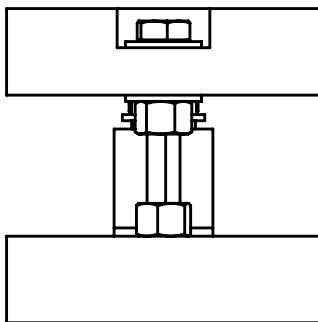
Side View



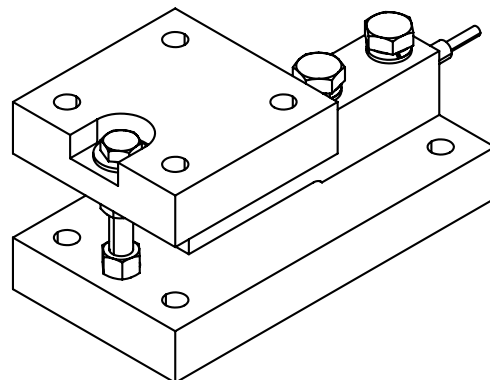
Top View



Front View



Isometric View



Dimension Capacity	A	B	C	D	E	ØF	H1	H2	X
0.5t – 2t	114.3	240	104.8	214.6	88.9	11	25.4	25.4	M12 x 70
3t	114.3	240	104.8	214.6	88.9	11	25.4	25.4	M14 x 70
5t	152.4	300	152.4	249.2	101.6	17.5	42	42	M20 x 100
10t – 15t	203.2	355.6	190.5	304.8	152.4	20.6	44.5	44.5	M27 x 120
20t	228.6	406.4	228.6	342.9	165.1	25.5	50.8	50.8	M33 x 140

Specifications and dimensions are subject to change without notice and do not constitute any liability whatsoever.