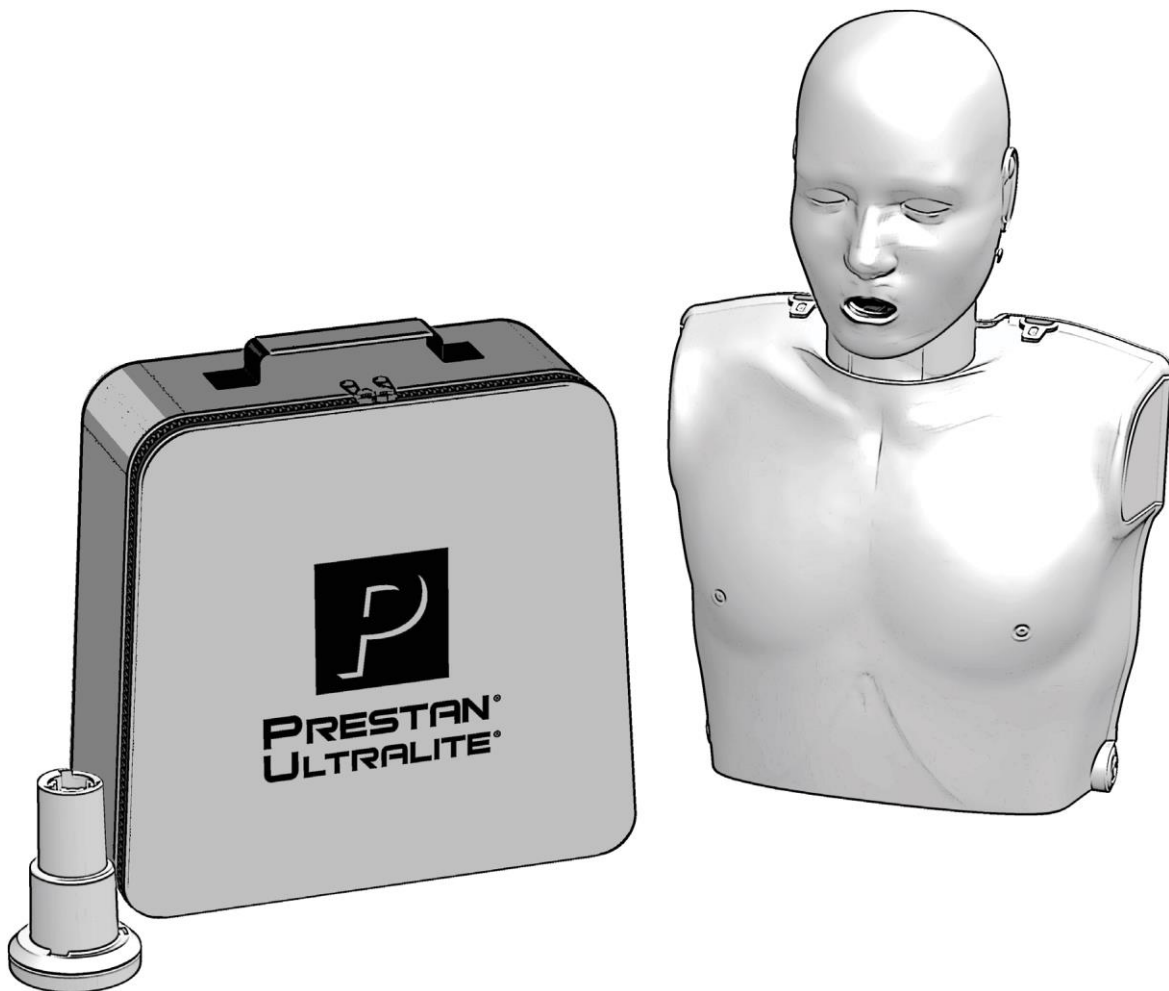


PRESTAN<sup>®</sup>  
**Ultralite<sup>®</sup>**  
Manikin Single  
- User Guide -

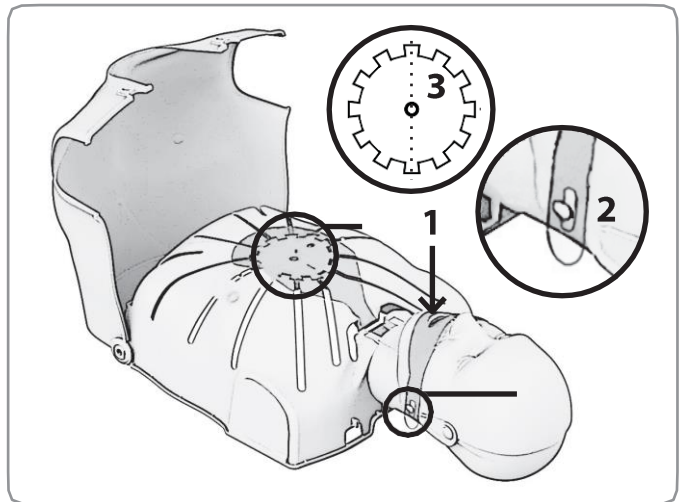
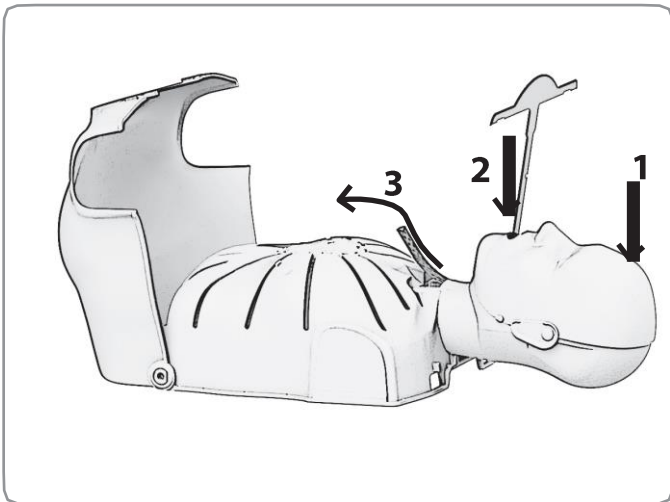
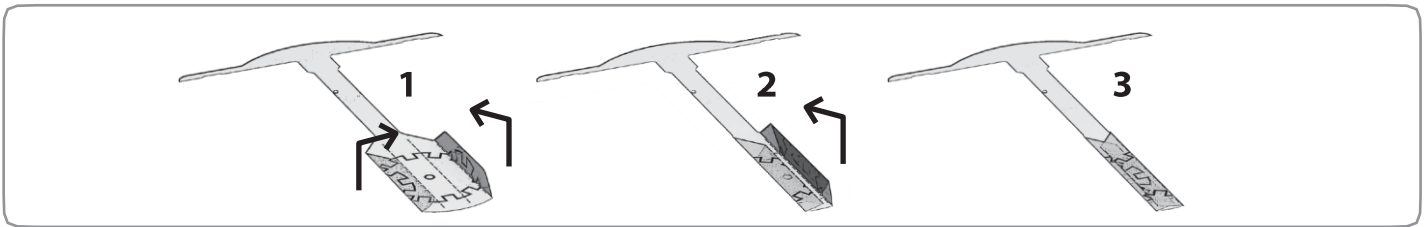
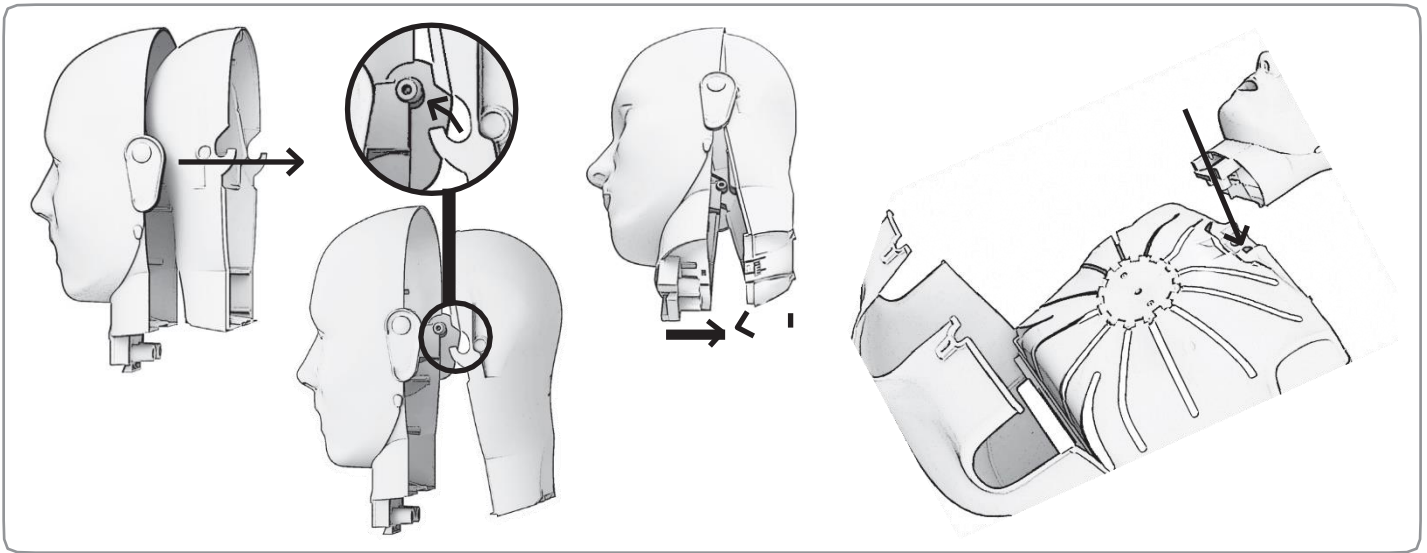
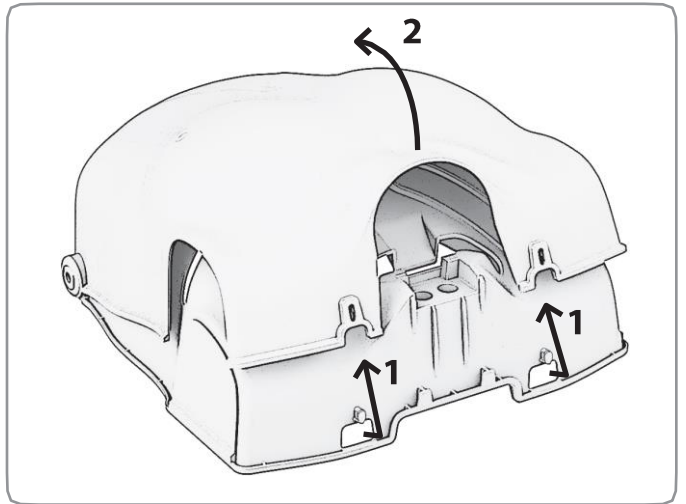
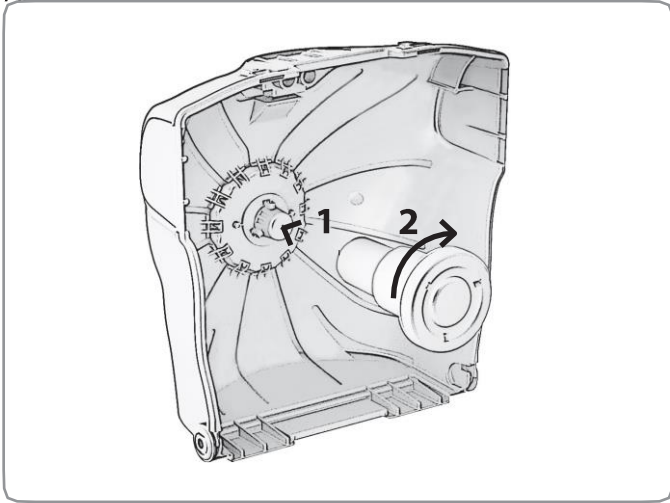


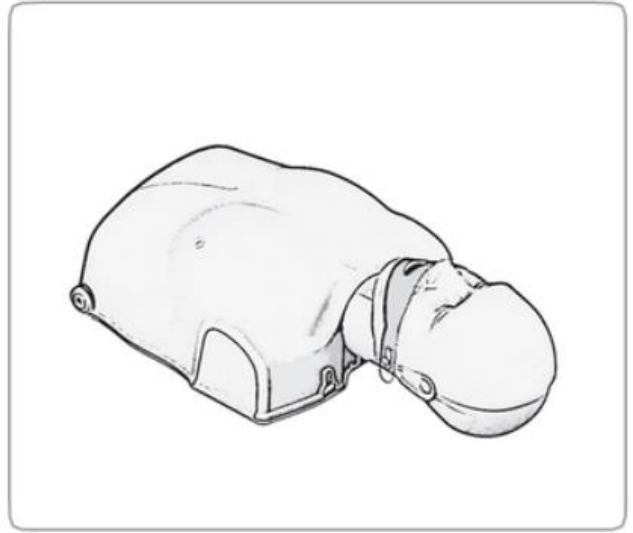
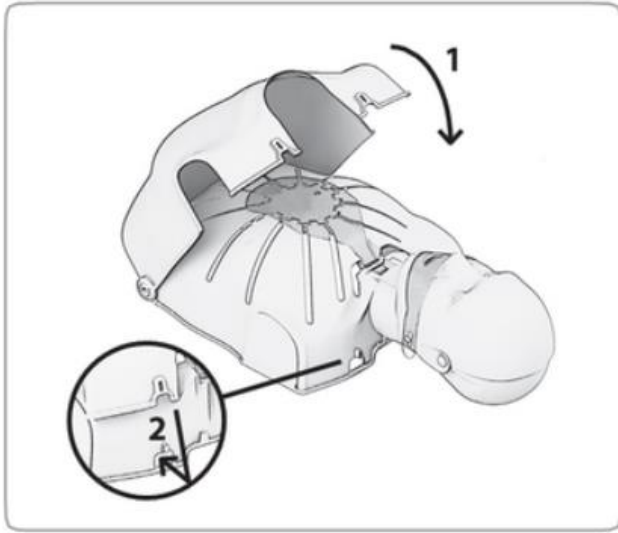
# PRESTAN® Ultralite® Manikin Single



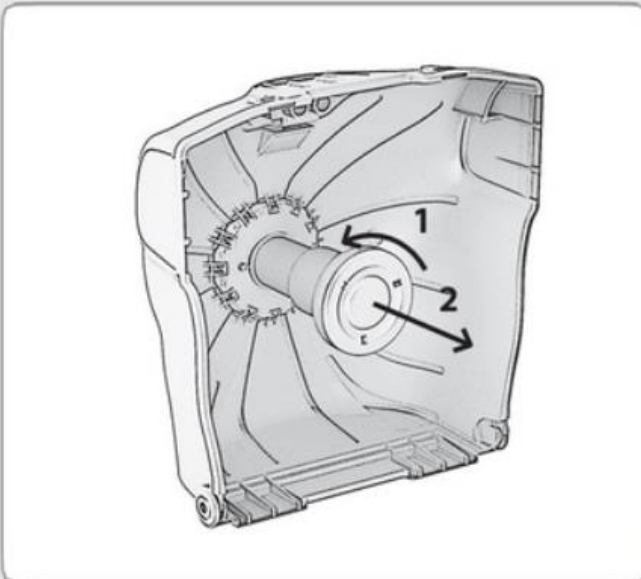
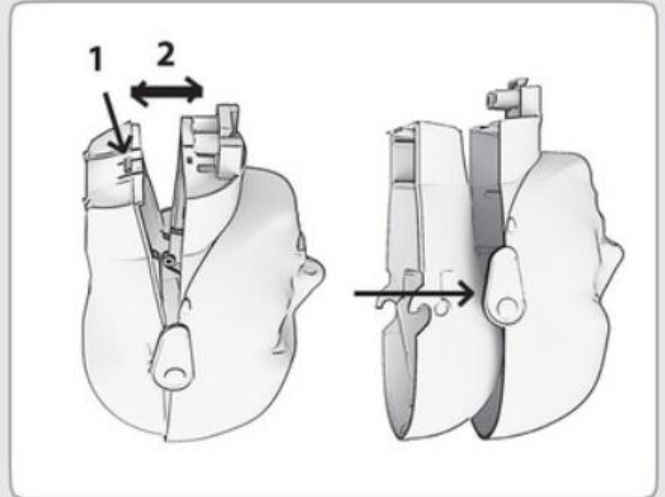
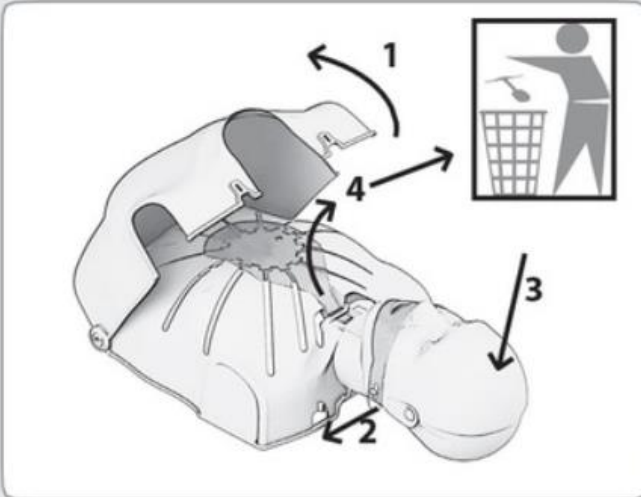
PRESTAN®

ASSEMBLE





DISASSEMBLE



# PRESTAN® Ultralite® Manikin Single

THANK YOU for buying the PRESTAN Ultralite Manikin Single!

## CONTENTS:

- One (1) Manikin Torso
- One (1) Manikin Head Face
- One (1) Manikin Head Back
- One (1) Compression Piston
- One (1) Nylon Carrying Case
- One (1) 10-pack Ultralite Face-Shield/Lung-Bags

The Ultralite Manikin Single is  
PRESTAN Product #PP-ULM-100-MS.

For convenient reference, make note below of the  
PRESTAN Authorized Distributor where you purchased  
your manikins. Call your PRESTAN Authorized  
Distributor for product questions, reordering parts &  
accessories, or for warranty issues:

Distributor: \_\_\_\_\_

Phone: \_\_\_\_\_ Purchase Date: \_\_\_\_\_

## CARE AND CLEANING:

- When not in use, the components should be stored in the carrying case and in a cool, dry place.
- Ultralite Manikins may be cleaned in a variety of ways. A non-abrasive cleaner is recommended:
  - They can be wiped down with a Clorox® or Lysol® disinfecting wipe.
  - Cleaned with a mixture of soap and water.
  - Sprayed or wiped with common household cleaners such as Formula 409®, Windex® or Vim®.
- The face may also be sanitized with alcohol, Clorox® or Lysol® wipes. Between student uses (and prior to applying the face shield), the instructor (or student) may clean the faces with a sanitizing wipe as an extra measure of protection.
- Students may be provided with an individual face shield (sold separately) which may be placed over the Face-Shield/Lung-Bag. This allows multiple students to use one Face-Shield/Lung-Bag during a session.

Order through your PRESTAN Authorized Distributor:

Ultralite Manikins Face Shields, 50-count	#PP-UFS-50
Ultralite Manikins Face-Shield/Lung-Bags, 10-count	#PP-ULB-10
Ultralite Manikins Face-Shield/Lung-Bags, 50-count	#PP-ULB-50

## TROUBLESHOOTING:

- If you cannot get the chest to rise when you blow into the face shield lung bag:
  - Check to make sure that the head is tilted back to create an open airway.
  - Check the lung bag itself. Ensure that it is properly positioned over the compression plate, not twisted and is laying flat.
  - Check the face shield. Ensure that it is attached to the 'buttons' on the side of the manikin head and that it is flat against the face of the manikin.
  - Check the bag to insure that has not been torn by testing inflation outside of the manikin.
- If the chest does not compress and/or it seems the piston is binding:
  - Ensure proper hand placement - check horizontal hand placement and adjust to center in between the nipples.

## FURTHER INFORMATION:

Additional help guides and warranty information can be found at [www.prestanproducts.com](http://www.prestanproducts.com).

If you have any questions about the PRESTAN Manikin line, if you would like to order more manikins, or if you would like to order any accessories for your manikin, please contact your PRESTAN Authorized Distributor.