

Short Description



- Junction Box, fit for 4-wire and 6-wire load cells
- Cast aluminium housing
- Easy installation
- Protective coating

Available Models

Model	Amount of Connections	Full Article Description	Part Number
JB01	3	JB01C-3	30010200
	4	JB01C-4	30010300
	6	JB01C-6	30010400
	8	JB01C-8	30010500

Detailed Specifications JB01

Load Cell Output Resistance Range	Ω	340 to 1100
Load Cell Input Resistance Range	Ω	340 to 1100
Excitation, Recommended Voltage	V(AC&DC)	5 to 20
Excitation, Maximum Voltage	V(AC&DC)	30
Load Cell Sensitivity Range	mV/V	0.6 – 6.2
Cable Diameter \varnothing	mm	5 - 6.2
Correction Method		Excitation trim
Trimming Range	Ω	24
Temperature Range, Operating	$^{\circ}\text{C}$	-40...+85
Ingress Protection		IP66
Housing Connected to Shield		Yes
External Grounding		Yes

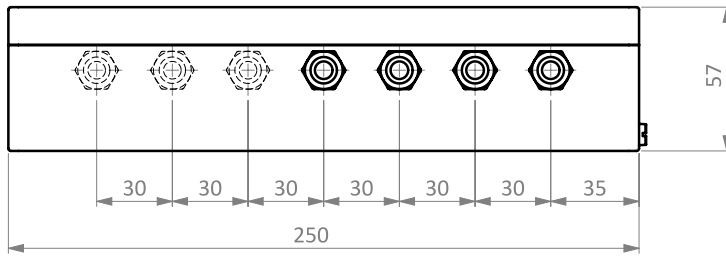
Specifications and dimensions are subject to change without notice and do not constitute any liability whatsoever.

Type JB01 Junction Box

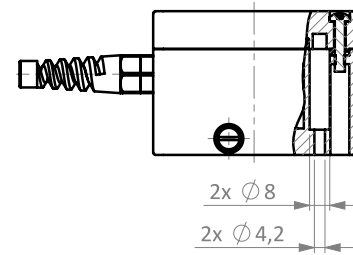
Dimensions in mm

Front View

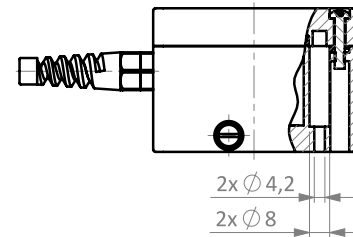
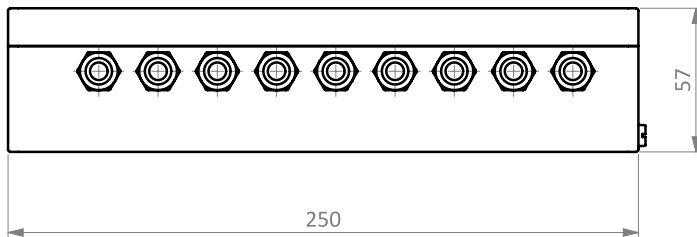
JB01C-3/4/6



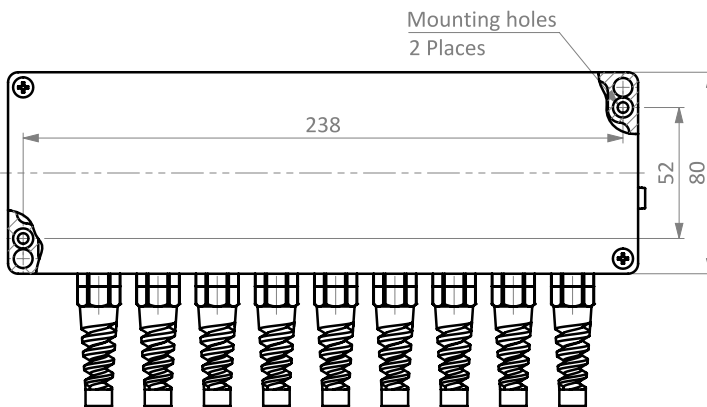
Side View



JB01C-8

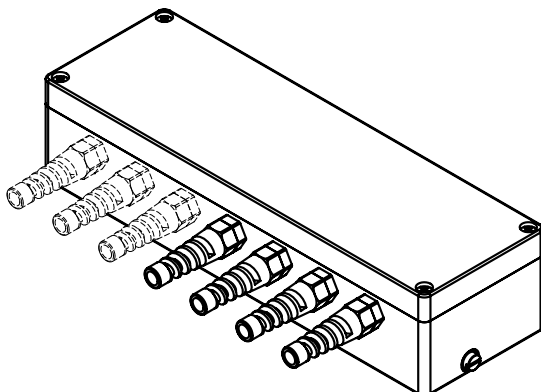


Top View

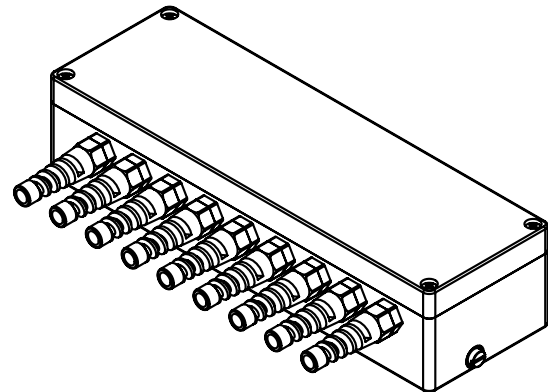


Isometric View

JB01C-3/4/6



JB01C-8



Specifications and dimensions are subject to change without notice and do not constitute any liability whatsoever.