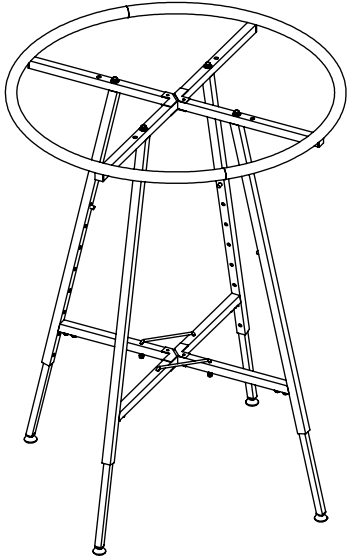
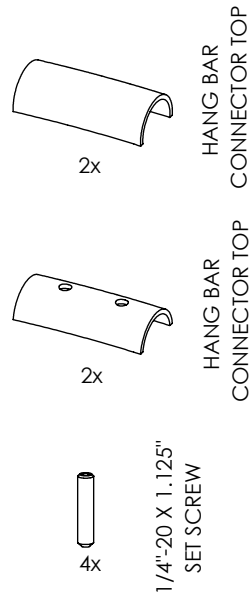
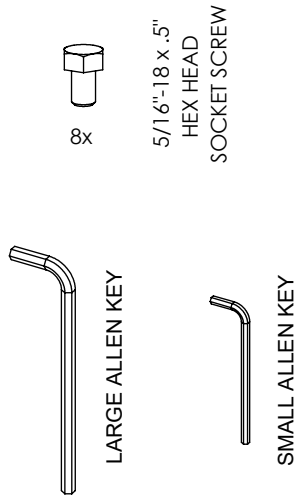
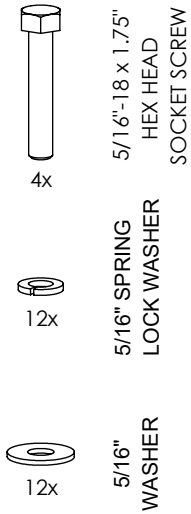


ASSEMBLY INSTRUCTIONS: K52WD, K57WD

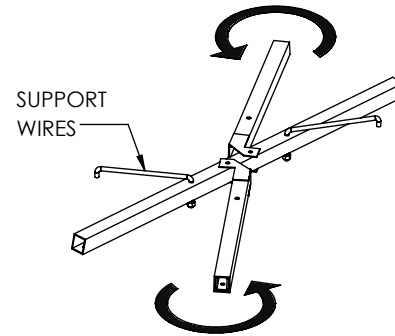


INCLUDED HARDWARE



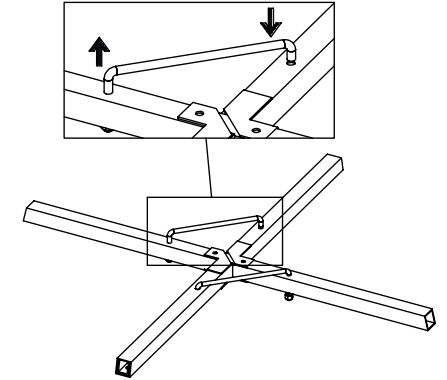
1a

UNFOLD THE LOWER X-BRACE. THIS BRACE WILL BE SMALLER AND HAVE SUPPORT WIRES ATTACHED.



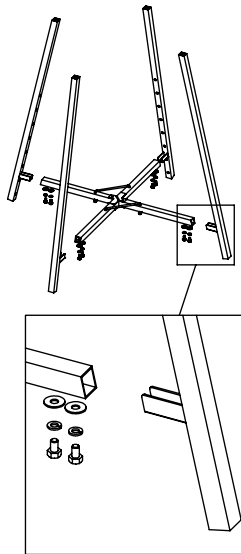
1b

PULL UP ON THE SUPPORT WIRES AND INSERT THE END INTO THE HOLE ON THE ADJACENT TUBE.

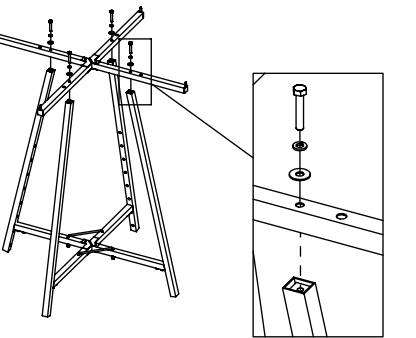


2a

ATTACH THE LOWER LEGS TO THE LOWER X-BRACE WITH FLAT WASHERS, LOCK WASHERS, AND THE SHORT HEX HEAD SCREWS AS SHOWN.

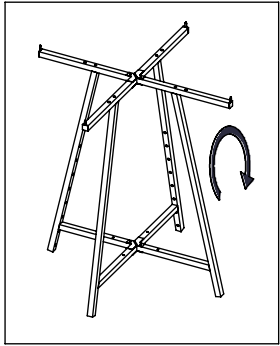


2b

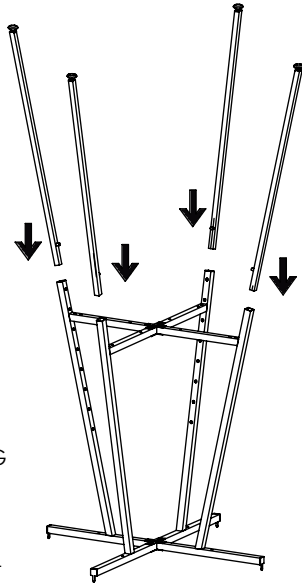


UNFOLD THE UPPER X-BRACE AND SECURE TO THE LOWER LEGS WITH FLAT WASHERS, LOCK WASHERS, AND THE LONG HEX HEAD SCREWS AS SHOWN.

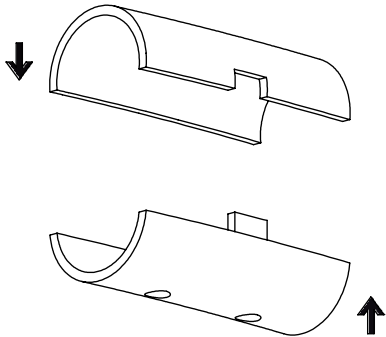
3



- FLIP OVER THE ASSEMBLY FROM THE PREVIOUS STEP. INSTALL THE ADJUSTABLE LEGS BY DEPRESSING THE PUSH BUTTONS AND INSERTING THEM INTO THE LOWER LEGS.
- IF THEY ARE NOT ALREADY INSTALLED, SCREW THE LEVELERS ONTO THE ADJUSTABLE LEGS.
- THE COMPLETED FRAME CAN BE FLIPPED RIGHT SIDE UP.

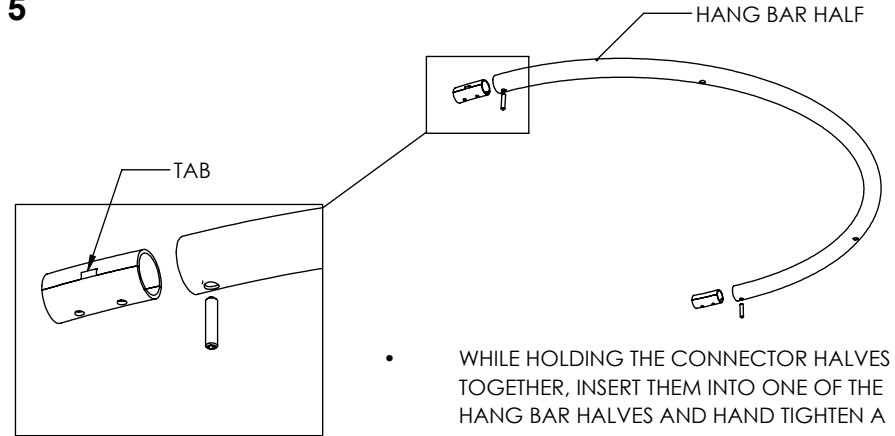


4



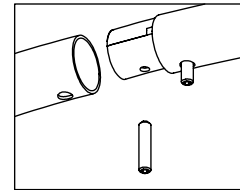
- TAKE A HANG BAR CONNECTOR TOP AND BOTTOM AND JOIN THEM TOGETHER SO THE TAB IS INSERTED INTO THE NOTCH.
- **NOTE: THEY ARE NOT MEANT TO LOCK TOGETHER.**

5



- WHILE HOLDING THE CONNECTOR HALVES TOGETHER, INSERT THEM INTO ONE OF THE HANG BAR HALVES AND HAND TIGHTEN A SET SCREW SO IT STAYS IN PLACE.
- REPEAT FOR THE OTHER CONNECTOR.
- **NOTE: THE CONNECTOR MUST BE INSERTED SO THE TAB IS FACING OUT. THIS WILL ENSURE THE CURVE OF THE CONNECTOR FOLLOWS THE CURVE OF THE HANG BAR.**

6



- SLEEVE THE REMAINING HANG BAR HALF ONTO THE EXPOSED CONNECTORS AND HAND TIGHTEN THE REMAINING SET SCREWS TO SECURE.
- ONCE ALL 4 SET SCREWS HAVE BEEN STARTED, TIGHTEN WITH THE SMALL ALLEN KEY UNTIL THE HANG BAR FEELS RIGID AND NO SET SCREW IS EXPOSED.
- INSTALL THE ASSEMBLED HANG BAR ONTO THE ASSEMBLED FRAME BY INSERTING THE THUMBNAILED ON THE UPPER X-BRACE INTO THE CLEARANCE HOLES.

