

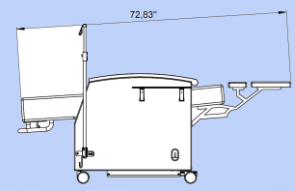
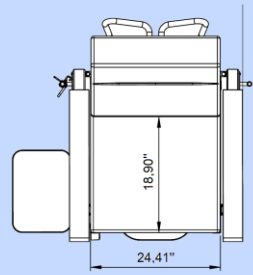
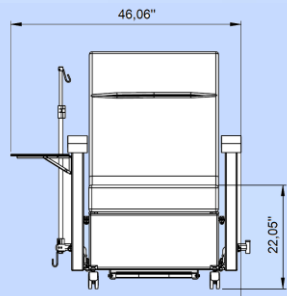
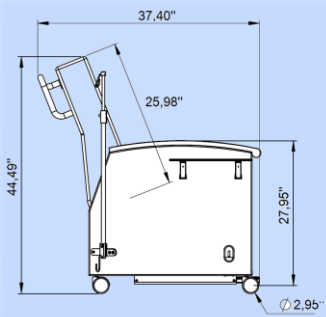
6000 SERIES 6REC46 Dialysis Recliner

(FSS#V797D-30167 ITEM#600046)



Purpose

The 6000 series recliner offers an economical and comfortable option for both patients and caregivers. The recliner offers barrier-free accessibility from the side, a fold-down side tray, IV pole and reclining as well as Trendelenburg positioning. With lockable casters the 6REC46

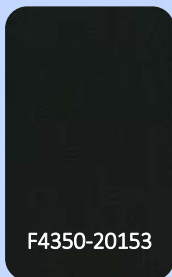




STANDARD FEATURES

- Swing-away arms
- Fold-away side table (one)
 - Pushhandle
 - Retractable foot tray
- 5" thermoplastic casters
- Quick-release seat
- Wall-hugger mechanism (infinite recline positions)

OPTION



SPECIFICATIONS

Weight capacity:	300 lbs.
Back height (from floor/seat) :	48"/29"
Overall width (2 tables down/up)**	32"/52"
Seat width:	22.5"
Arm height (from floor, front/back)ç	30"/27"
Seat height/depth :	22.5"/18"
Upright overall depth (w/handle) :	47"
Thermoplastic casters:	5"

PEDIA PALS
230 GRIDER ST.
BUFFALO NY 14215
Tel: 1-888-733-4272

Sales Inquires: sales@pediapals.com
General Inquires : info@pediapals.com

