

Short Description

- Easy installation
- Can be used in hazardous environments
- Stainless steel
- Can be used with load cell models: BM14G4

Available Models

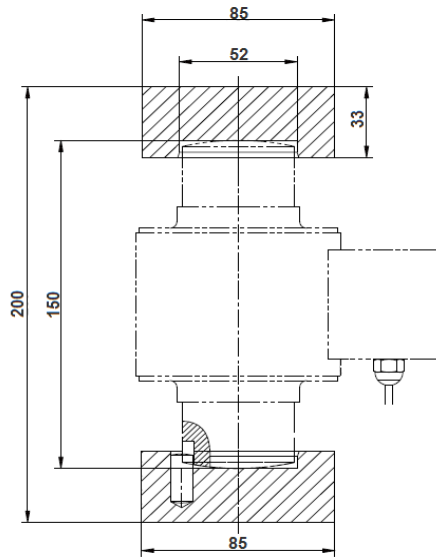
Model	Capacity	Full Article Description	Part Number
BY-14-108	10 – 50t	BY-14-108-10/50t no holes BM14G W1	21406110
BY-14-125	10 – 50t	BY-14-125-10/50t incl holes in top	21406180
BY-14-126	10 – 50t	BY-14-126-10/50t incl holes BM14GW1	21406220

Technical Details BY-14-108/125/126

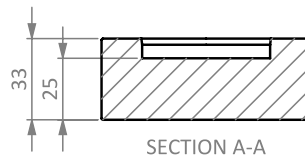
Model	Description
BY-14-108	Rocker support without holes in the bottom and top plate
BY-14-125	Rocker support without holes in the bottom plate but with holes in the top plate
BY-14-126	Rocker support with holes in the bottom and top plate

Specifications and dimensions are subject to change without notice and do not constitute any liability whatsoever.

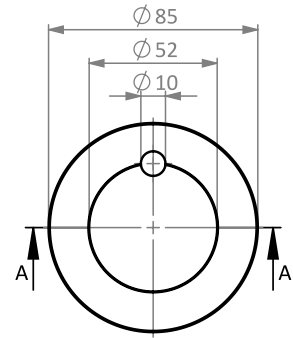
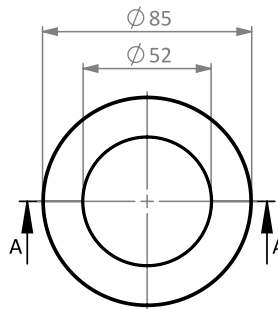
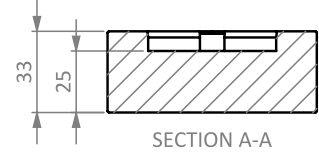
Dimensions in mm



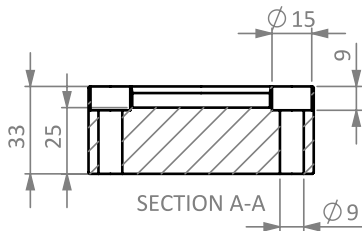
Top Plate without holes



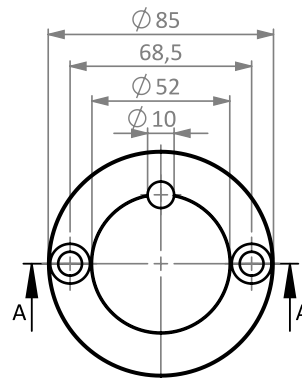
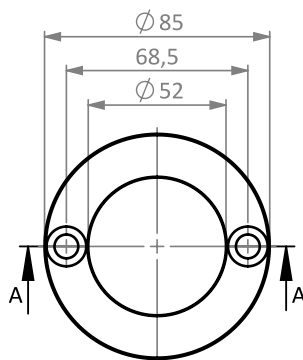
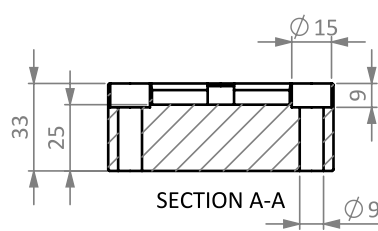
Bottom Plate without holes



Top Plate with holes



Bottom Plate with holes



Isometric Views

