



Re-Order #	Description	Size	Unit
707027	Oxygen Cylinder Holder - Single	Fit 16" - 24" Wheelchair	Each
707028	Oxygen Cylinder Holder - Double	Fit 16" - 24" Wheelchair	Each
707029	Oxygen Cylinder holder - Single For Geri-Chair	Universal	Each

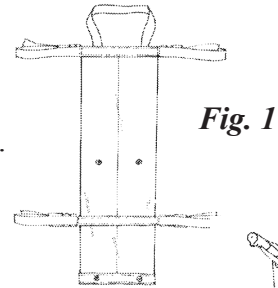
**Purpose**

Skil-Care's Oxygen Cylinder Holder is designed to secure all "D" and "E" size oxygen cylinders to a standard wheelchair.

**Easy to Use**

**E-Size Cylinder**

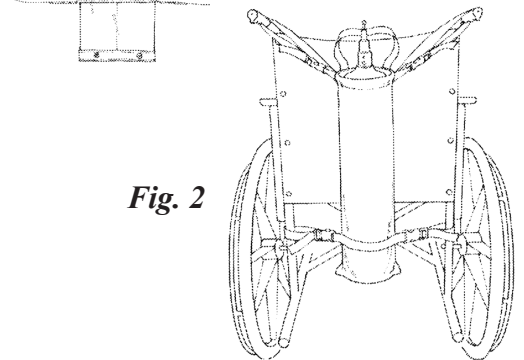
1. Release snaps and open oxygen cylinder holder to its full length (*Fig. 1*).
2. Place oxygen cylinder in sleeve. Place top straps on push-handles and secure bottom straps to wheelchair frame (*Fig. 2*). Tighten all straps to limit movement of cylinder.



*Fig. 1*

**D-Size Cylinder**

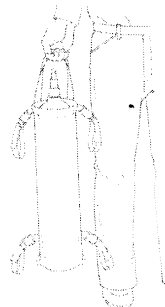
1. Fold bottom of oxygen cylinder holder and secure snaps (*Fig. 3*).
2. Place oxygen cylinder in sleeve. Place top straps on push-handles and secure bottom straps to wheelchair frame (*Fig. 4*). Tighten all straps to limit movement of cylinder.



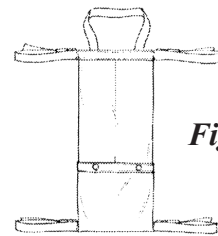
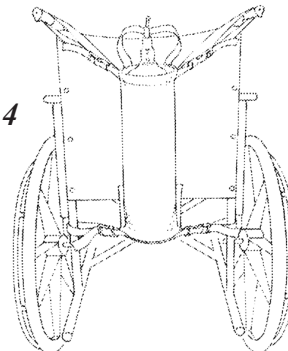
*Fig. 2*

**Easy Care**

Skil-Care's Oxygen Holder wipes clean with a damp cloth and mild cleanser. Do not launder.



*Fig. 4*



*Fig. 3*

Use the convenient carry handle to transport the oxygen cylinder.

**Made In China**