



Short description



- Controlled horizontal movement
- Easy load cell access
- Stainless steel
- Lift-off protection
- Can be used with Load Cell models: BM14C and HM14C

Available models

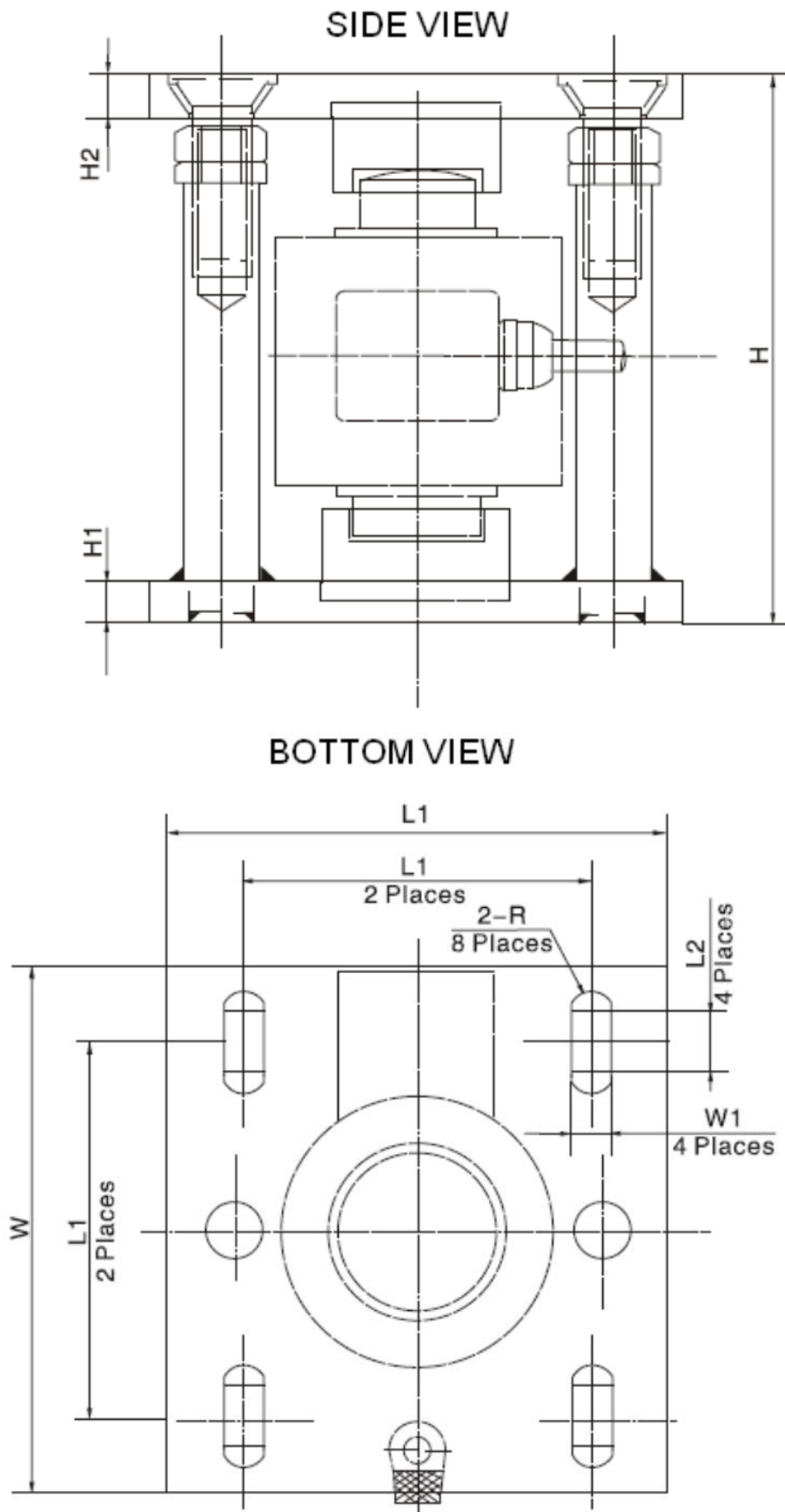
Model	Capacity	Full article description	Part number
BM-14-414	0.5t – 5t	BM-14-414-0.5/5t	2140115
	10t – 30t	BM-14-414-10/30t	2140116
	40t – 50t	BM-14-414-40/50t	2140117

Detailed specifications BM-14-414

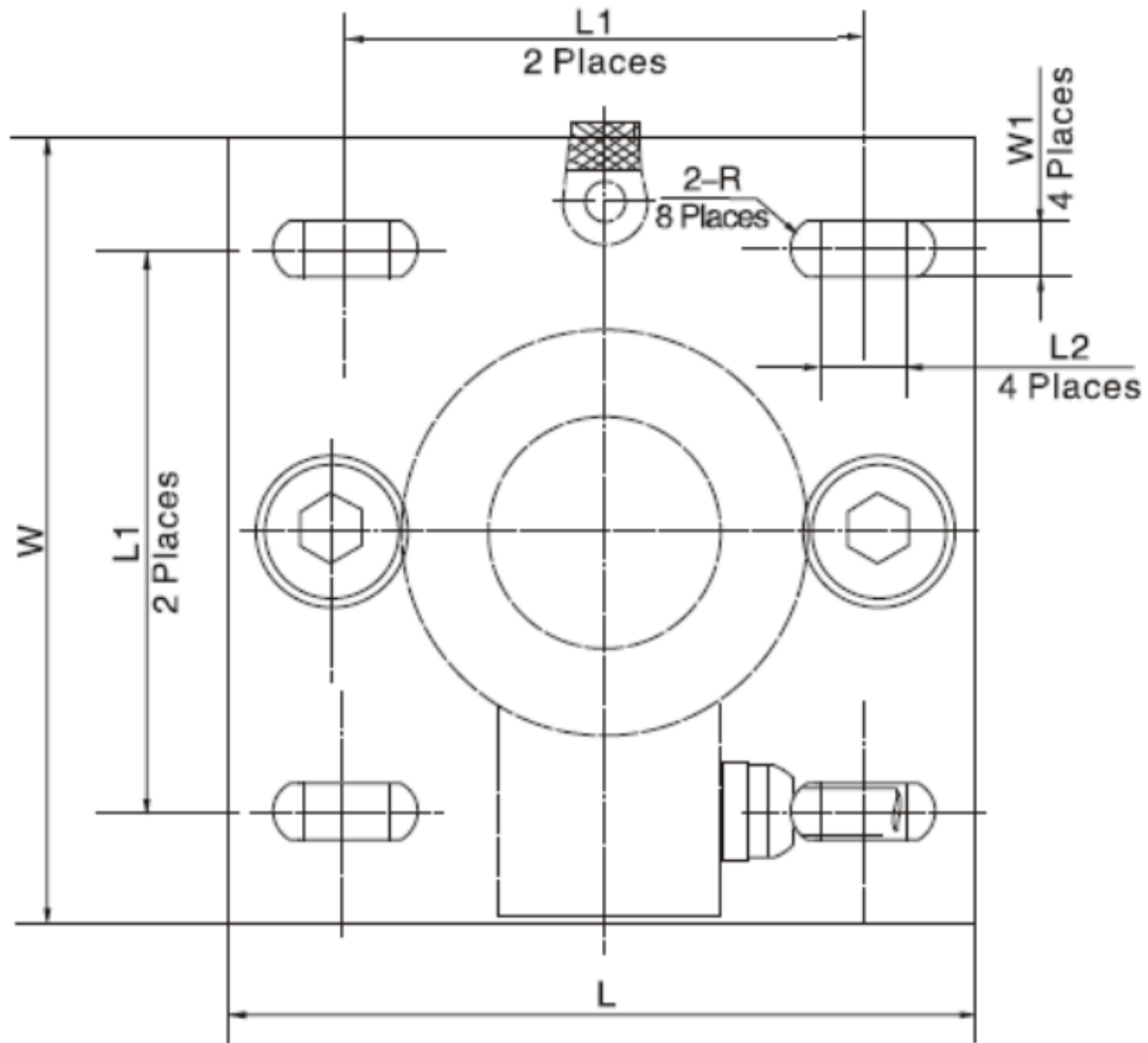
Capacity	0.5t – 5t	10t – 30t	40t – 50t
Maximum vertical force (down)	30 kN	45 kN	45 kN
Maximum vertical force (up)	20 kN	35 kN	35 kN
Maximum horizontal force	5 kN	10 kN	10 kN
Maximum horizontal movement	+1 / -1 mm	+1 / -1 mm	+1 / -1 mm

Specifications and dimensions are subject to change without notice and do not constitute any liability whatsoever.

Dimensions in mm



Specifications and dimensions are subject to change without notice and do not constitute any liability whatsoever.



TOP VIEW

Dimension Capacity	H	H1	H2	L	L1	L2	W	W1
0.5t – 5t	170	12	14	165	115	20	175	14
10t – 30t	193	15	16.5	180	120	18	180	18
40t – 50t	193	15	16.5	180	120	18	180	18

Specifications and dimensions are subject to change without notice and do not constitute any liability whatsoever.