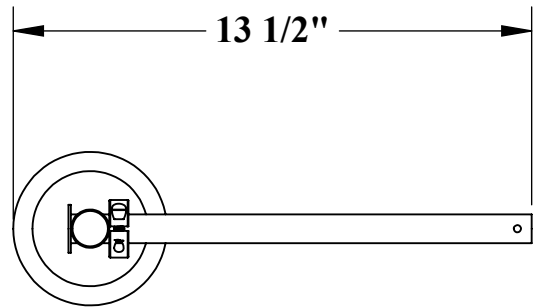
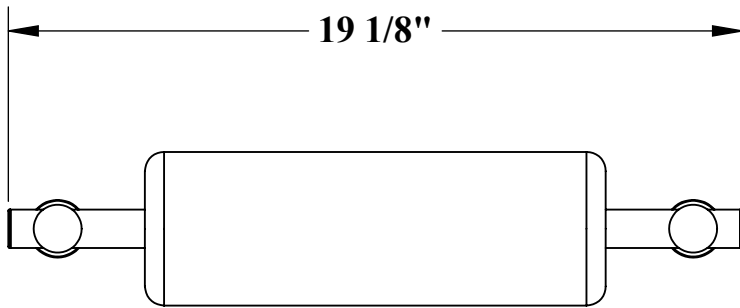


PROTONE BACKREST

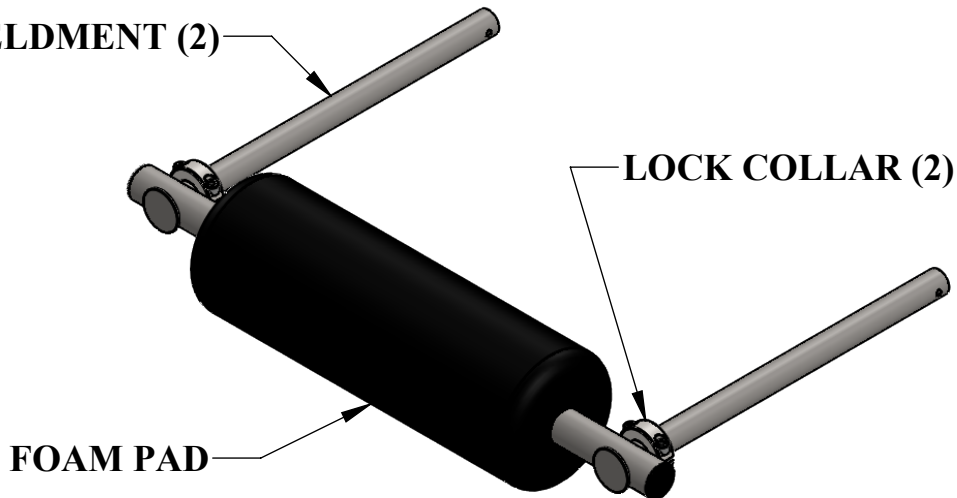
PRODUCT WEIGHT: 2.5 LBS [1.14kg]

MATERIAL: 304 STAINLESS STEEL TUBING, FOAM PAD

WARRANTY: 1 YEAR ON STEEL FRAME



SLIDE WELDMENT (2)



9889 GARRYMORE LANE
MISSOULA, MT 59808
(406) 549-0769
FAX (406) 549-2602

NOTE:
*SPECIFICATIONS ARE SUBJECT TO CHANGE WITHOUT NOTICE

PRODUCT:		PROTONE BACKREST	
PART #:		F-PTNBR	
SCALE:	1:5	DATE:	1/20/2021
DRAWN BY:	KR	REVISION:	00