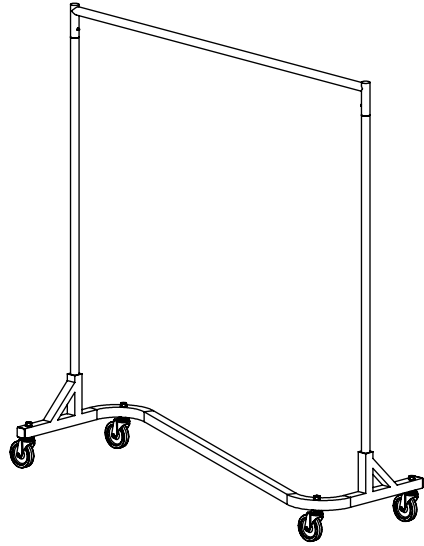
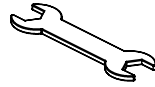


**ASSEMBLY
INSTRUCTIONS FOR:
RZK7**

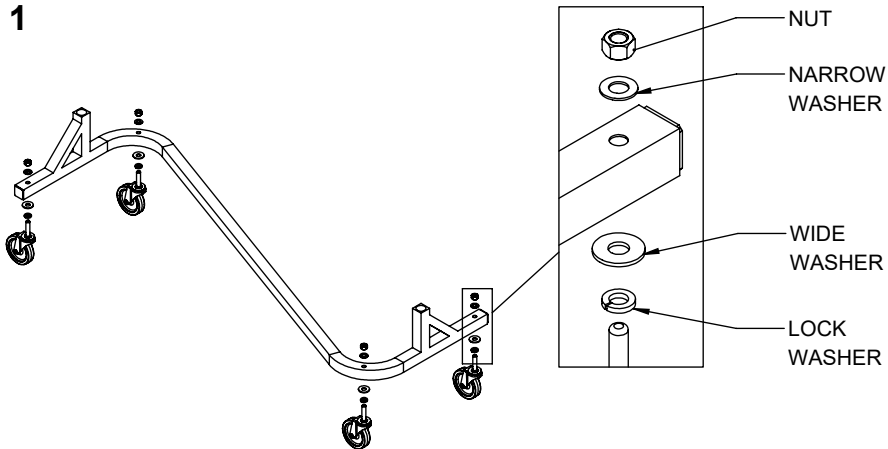


TOOLS INCLUDED



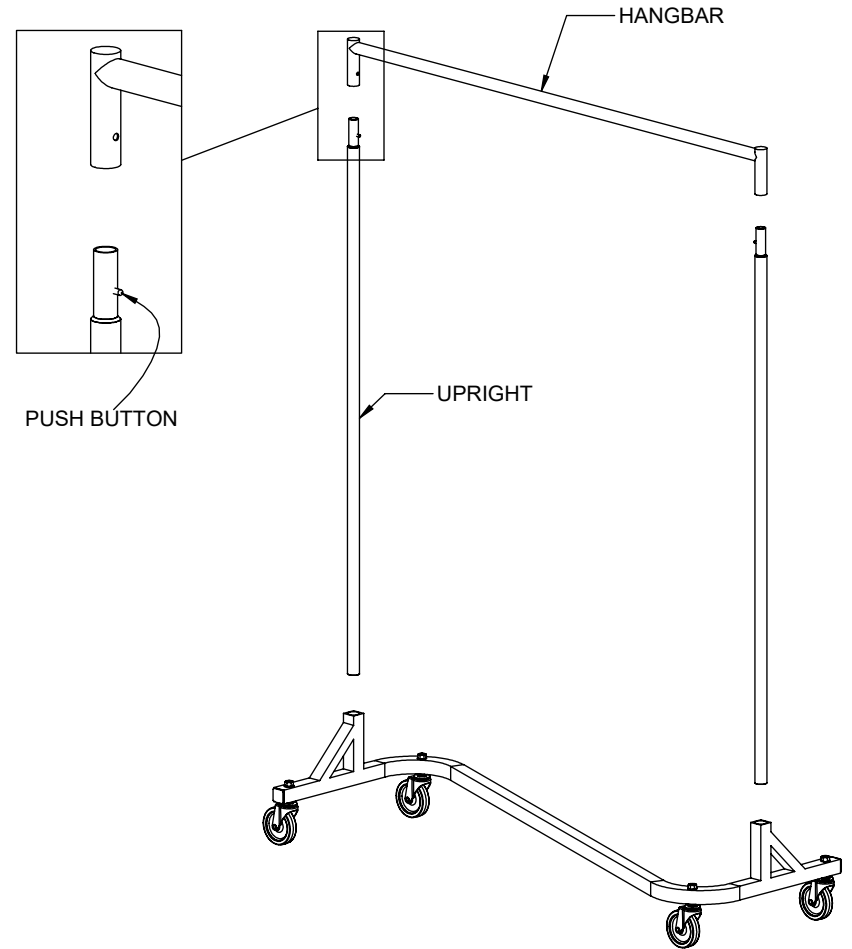
WRENCH

1



ASSEMBLE CASTERS TO BASE WITH WASHERS AND NUT.
USE WRENCH TO TIGHTEN THE NUT.

2



- INSERT UPRIGHTS INTO BASE
- ALIGN PUSH BUTTONS TOWARDS INSIDE
- INSERT HANG BAR INTO UPRIGHTS