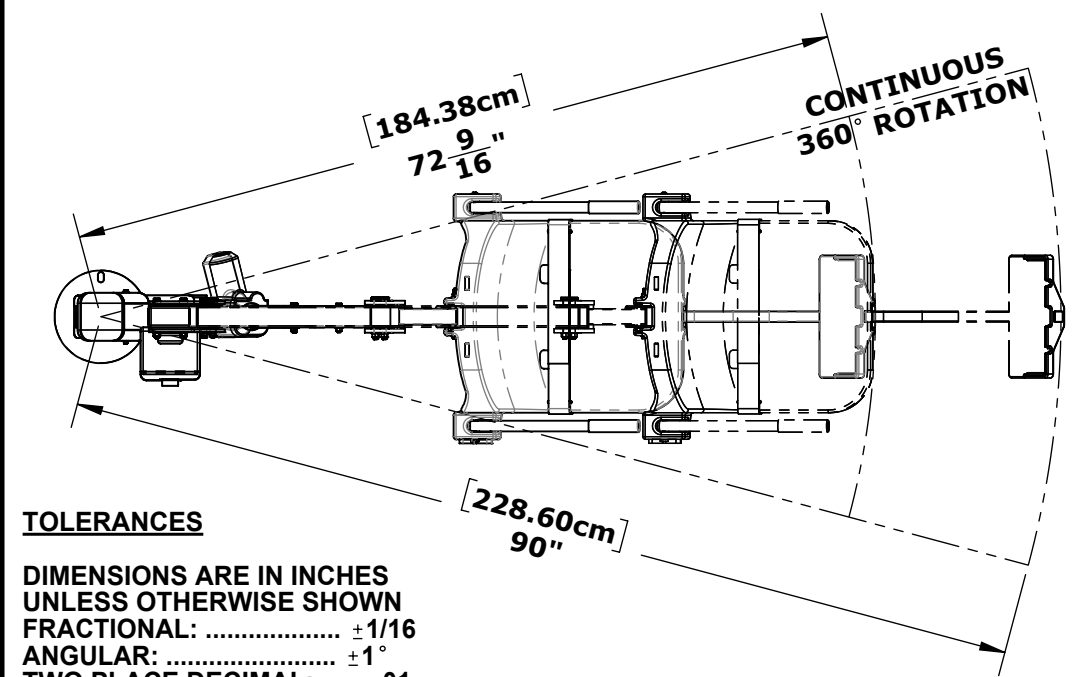
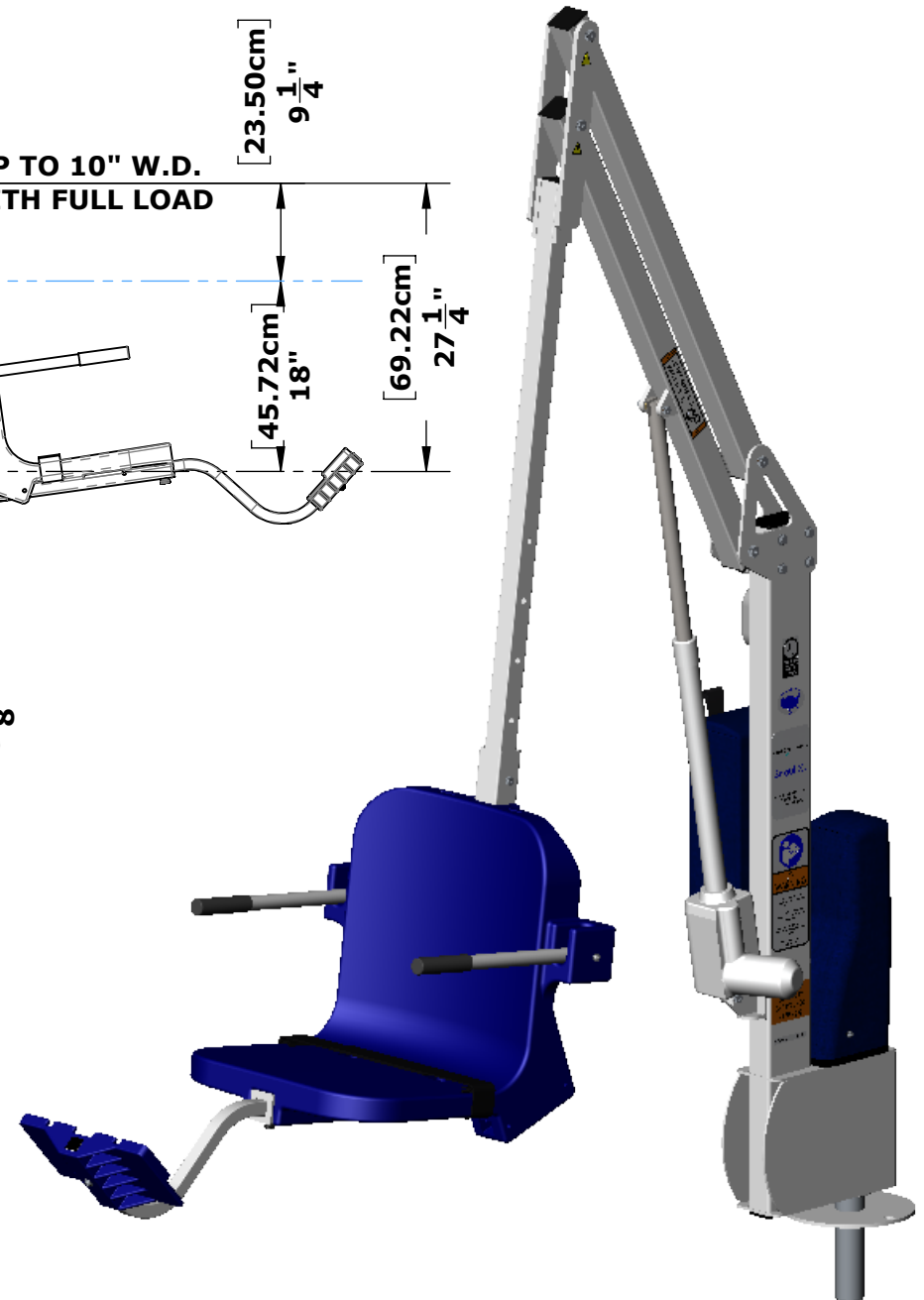
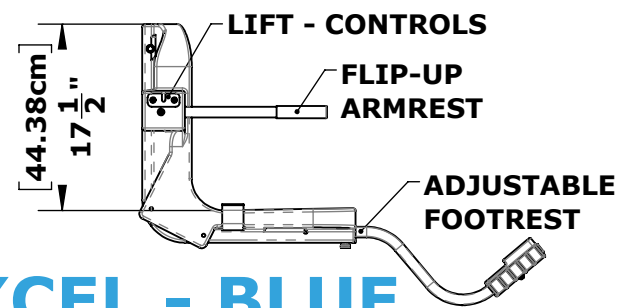
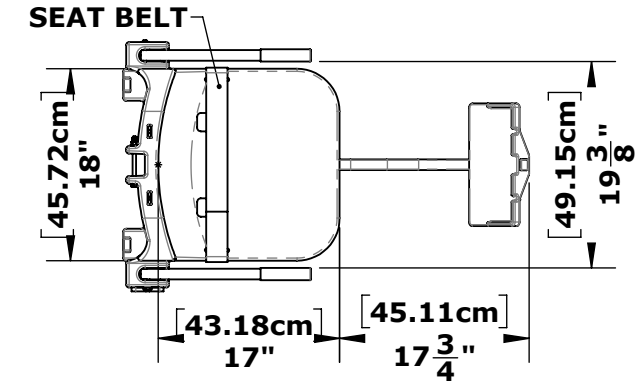
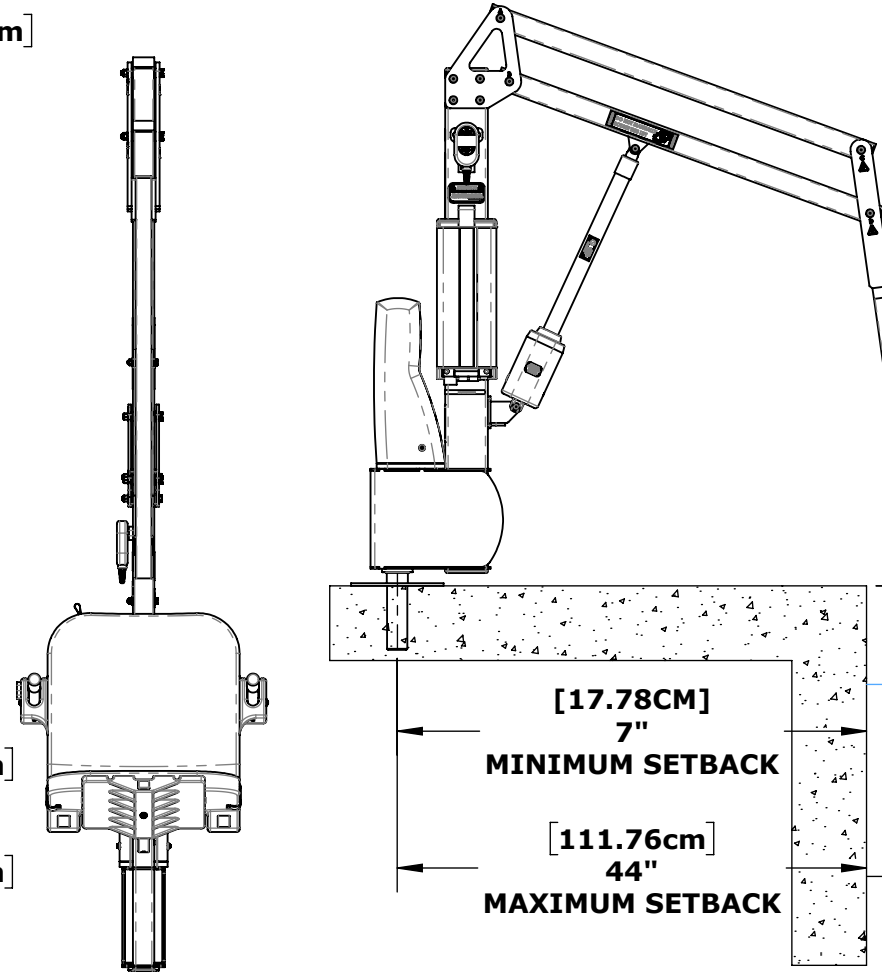
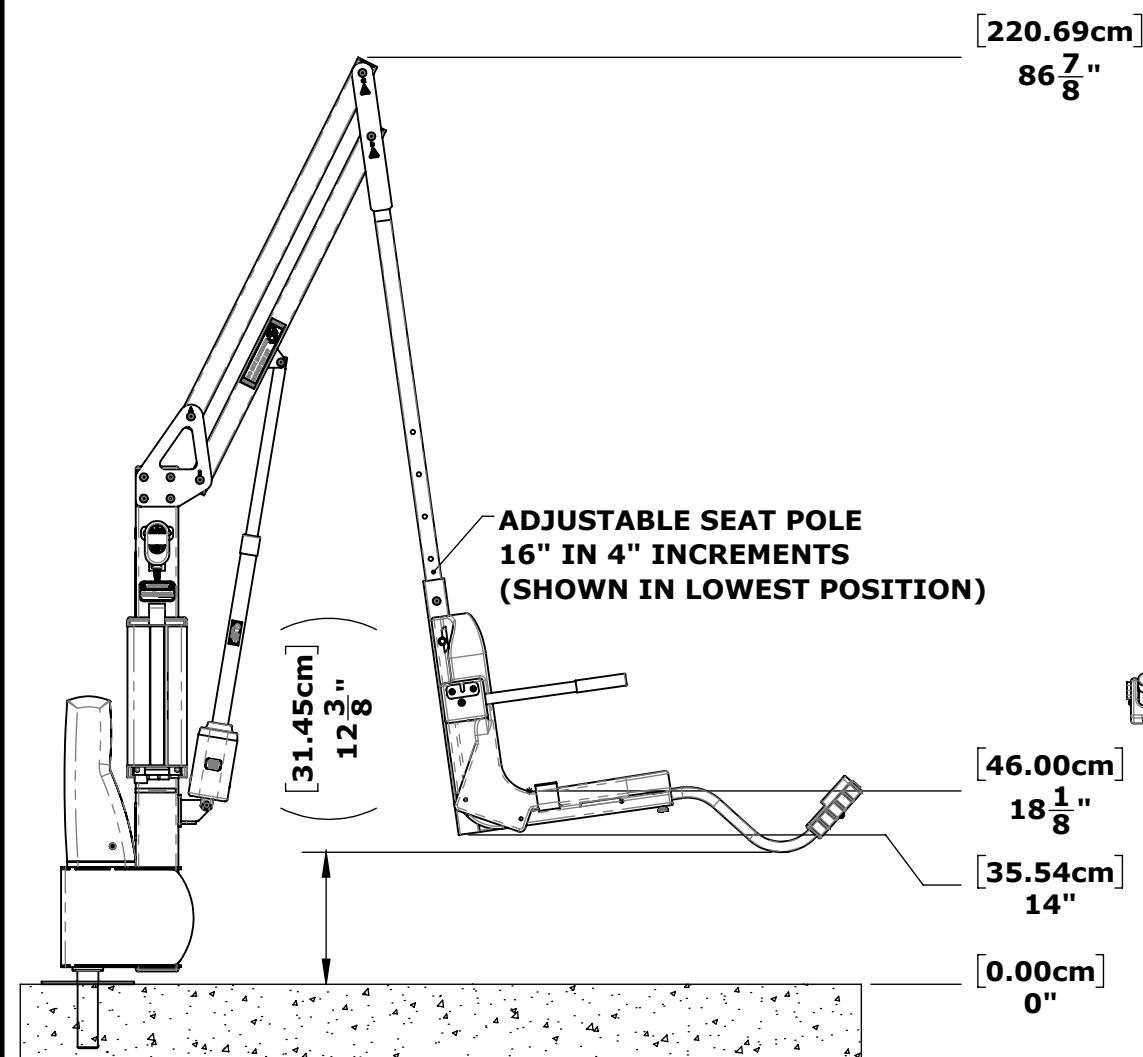


FEATURES

- ◆ UL CERTIFIED ◆ 375 LB. (170 kg.) WEIGHT CAPACITY ◆ SETBACK RANGE 7" TO 44" (18 - 111 cm) ◆ CLEARANCES VARY BY WALL HEIGHT & WIDTH ◆ WATER DRAFT 10" ◆ 360° ROTATION ◆ FLIP UP ARMREST ◆ ALL STAINLESS STEEL CONSTRUCTION ◆ DURABLE POWDER COAT FINISH ◆ RECHARGEABLE BATTERY & WALL MOUNT CHARGER ◆ FIVE YEAR STRUCTURAL WARRANTY ◆ FIVE YEAR PRO-RATED ELECTRONICS WARRANTY

CLICK HERE TO VIEW THIS PRODUCT:
<https://aquacreekproducts.com/scout-excel/>



TOLERANCES
DIMENSIONS ARE IN INCHES
UNLESS OTHERWISE SHOWN
FRACTIONAL: ±1/16
ANGULAR: ±1°
TWO PLACE DECIMAL: ±.01
THREE PLACE DECIMAL: .. ±.005

SCOUT EXCEL - BLUE
U.S. PATENT NO. D507,769 S
PART NO. F-SCTXL

MATERIAL: STAINLESS STEEL
FINISH: POWDER COAT - WHITE
APPROX. WEIGHT: 180.94 LBS.



9889 GARRYMORE LANE
MISSOULA, MT 59808
(406) 549-0769
FAX (406) 549-2602
www.AquaCreek.com

PROPRIETY AND CONFIDENTIAL INFORMATION
THIS DRAWING AND ALL INFORMATION CONTAINED HEREIN IS THE SOLE PROPERTY OF AQUA CREEK PRODUCTS LLC. ANY REPRODUCTION IN PART OR AS A WHOLE WITHOUT WRITTEN PERMISSION FROM AQUA CREEK IS PROHIBITED.
*SPECIFICATIONS ARE SUBJECT TO CHANGE WITHOUT NOTICE

REVISIONS			
REV.	DESCRIPTION	DATE	APPROVED
P1	PRODUCTION RELEASE	3/30/2021	J.MAXWELL

SCALE
1:18

SHEET
1

PRODUCT NAME: Scout Excel Pool/Spa Access Lift

CSI SECTION: 13 11 46 Swimming Pool Accessories

APPLICATIONS:

- In Ground Pools & Spas with up to **11-inch (27.94cm)** high by **11-inch (27.94cm)** wide curbs.
- On Ground & Partially Recessed Pools & Spas with walls up to **26-inches (66.04cm)** high by **16-inches (40.64cm)** wide when using the Optional pull out leg rest.

SUBMITTALS:

- Alternate make or model lifts will not be considered unless equal to the specified product in every respect. Alternative products must be submitted for approval no less than ten (10) calendar days prior to the bid due date. Submittal data must include complete documentation relating to all the specified features and include all manufacturer's sales literature, specification sheets, installation/operation manuals, engineered drawings and documents that support the strength, service capacity, and the ability to meet the appropriate Federal Regulatory Standards associated with the product.

QUALITY ASSURANCE:

- The product must be a standard product of a company registered with the United States Food and Drug Administration (FDA) as a class 1 medical device manufacturer and that is regularly engaged in the manufacture of commercial grade swimming pool and spa accessibility equipment.
- The product shall be structurally capable of supporting a **375 pound (170.10kg)** load capacity and static load tested to 1.5 times the rated load.
- The product shall be certified to be compliant with UL test standard 60335-2-1000 Standard of Household and Similar Appliances: Particularly Requirements for Electrically Powered Pool Lifts.
- The product shall be tested and confirmed to comply with design standards outlined in the United States ADA Accessibility Standards for Accessible Designs.

SPECIFICATIONS:

- The products main structure shall be constructed of type 304 stainless steel; no dissimilar metallic components shall be allowed. The product shall be finished with a minimum 4-mil thick, UV resistant powder coat finish. All fastening hardware shall be of type 316 stainless steel. Product shall be supplied with a Linak Actuator suitable for medical use, a separate wall mount battery charger, a hand-held controller, and a 24-volt rechargeable battery.
- The chair of the product shall be of a rigid one-piece, polyethylene, molded design. The minimum seat width shall be **18-inches (45.72cm)** and the seat back shall be a minimum height of **17.5-inches (44.45cm)**. The seat shall feature dual flip-up arms and supplied with a 2-inch (5.08cm) wide adjustable safety belt with hook and loop fasteners.
- The seat height of the product will be adjustable from a load height of **18-inches (45.72cm)** to **34-inches (86.36cm)** in **4-inch (10.16cm)** increments to accommodate raised pool and spa walls.
- The product shall be capable of accommodating a deck to water distance (water draft) of up to **10-inches (25.40cm)** and capable of an anchor set back distance of up to **44-inches (111.76cm)**.
- An adjustable and removable footrest that moves with the seat shall be supplied with the product.

WARRANTY:

- Product shall have a minimum 5 year structural and 5 year pro-rated electronic warranty.

LIFT PART NUMBERS:

Item No	Order No	Description
F-SCTXL	INV02394	Scout Excel Lift White Powder Coat w/Blue Seat
F-SCTXL-T	INV02397	Scout Excel Lift White Powder Coat w/Tan Seat
F-SCTXL-G	INV02398	Scout Excel Lift White Powder Coat w/Gray Seat
F-SCTXL-W	INV02399	Scout Excel Lift White Powder Coat w/White Seat
F-SCTXL-C	INV02400	Scout Excel Lift (Specify Seat and Powder Coat Colors)

ANCHORING OPTIONS:

Item No	Order No	Description
F-808SA	INV01494	Scout Excel Lift Anchor for Standard Concrete Decks
F-808SA-10	INV01495	Scout Excel Lift Anchor for Paver Applications
F-842SWDA	INV01504	Scout Excel Lift Anchor for Wood Deck Applications
F-77SSA	INV01489	Scout Excel Lift Semi-Recessed Anchor for 6" Thick Concrete
F-820	INV01497	Scout Excel Lift Anchor Adapter for Existing 2.5-Inch Square Anchors
F-822	INV01498	Scout Excel Lift Anchor Adapter for Existing 2.49-Inch ID Anchors
F-824	INV01499	Scout Excel Lift Anchor Adapter for Existing 2.36-Inch ID Anchors
F-826	INV01500	Scout Excel Lift Anchor Adapter for Existing 2.75-Inch ID Anchors

PRODUCT OPTIONS:

Item No	Order No	Description
F-0904CVR	INV01990	Scout Excel Seat Cover in Blue
F-450SSC	INV00551	Scout Excel Lift Protective Lift Cover in Blue
F-450SSC-B-HE	INV01864	Scout Excel Lift Premium Grade Protective Lift Cover in Blue
F-450SSC-T	INV00553	Scout Excel Lift Protective Lift Cover in Tan
F-450SSC-G	INV00552	Scout Excel Lift Protective Lift Cover in Gray
F-045SCH	INV01692	Scout Excel Lift Solar Charger
F-422PLH-2	INV01455	Scout Excel Lift Adjustable Headrest
F-423CS	INV01457	Scout Excel Lift Chest Strap
F-734RSA	INV01836	Scout Excel Lift Spine Board Assembly
F-MTTC	INV01902	Scout Excel Lift Transport Cart
F-LRB	INV01950	Scout Excel Lift Pull Out Leg Rest Blue
F-LRT	INV01952	Scout Excel Lift Pull Out Leg Rest Tan
F-LRG	INV01954	Scout Excel Lift Pull Out Leg Rest Gray
F-LRW	INV01953	Scout Excel Lift Pull Out Leg Rest White
F-019CA	INV01379	Scout Excel Lift Cycle Attachment

Aqua Creek Products LLC
9889 Garrymore Lane
Missoula, MT 59808

www.aquacreekproducts.com

Tel: 888-687-3552 / 406-549-0769

Fax: 406-541-8958



**9889 GARRYMORE LANE
MISSOULA, MT 59808
(406) 549-0769
FAX (406) 549-2602
www.AquaCreek.com**

PROPRIETY AND CONFIDENTIAL INFORMATION

THIS DRAWING AND ALL INFORMATION CONTAINED HEREIN IS THE SOLE PROPERTY OF AQUA CREEK PRODUCTS LLC. ANY REPRODUCTION IN PART OR AS A WHOLE WITHOUT WRITTEN PERMISSION FROM AQUA CREEK IS PROHIBITED.

***SPECIFICATIONS ARE SUBJECT TO CHANGE WITHOUT NOTICE**

© 2020 AQUA CREEK PRODUCTS. ALL RIGHTS RESERVED.